

**Operating instructions  
Betriebsanleitung**

**Hydraulic comparison test pump, model CPP1200-X**

**EN**

**Hydraulische Vergleichsprüfpumpe, Typ CPP1200-X**

**DE**



**Hydraulic comparison test pump, model CPP1200-X**



**Part of your business**

**EN** **Operating instructions model CPP1200-X** **Page** **3 - 36**

**DE** **Betriebsanleitung Typ CPP1200-X** **Seite** **37 - 70**

© 2013 WIKA Alexander Wiegand SE & Co. KG  
All rights reserved. / Alle Rechte vorbehalten.  
WIKA® is a registered trademark in various countries.  
WIKA® ist eine geschützte Marke in verschiedenen Ländern.

Prior to starting any work, read the operating instructions!  
Keep for later use!

Vor Beginn aller Arbeiten Betriebsanleitung lesen!  
Zum späteren Gebrauch aufbewahren!

# Contents

<b>1. General information</b>	<b>4</b>
<b>2. Safety</b>	<b>5</b>
2.1 Intended use	6
2.2 Personnel qualification	7
2.3 Personal protective equipment (P.P.E.)	7
2.4 Special hazards	8
2.5 Labelling, safety marks	10
<b>3. Specifications</b>	<b>11</b>
<b>4. Design and function</b>	<b>17</b>
4.1 Description	17
4.2 Scope of delivery	17
4.3 Base unit	17
4.4 Function	20
<b>5. Transport, packaging and storage</b>	<b>21</b>
<b>6. Commissioning, operation</b>	<b>22</b>
6.1 Unpacking the hydraulic comparison test pump	22
6.2 Environmental requirement	22
6.3 Assembly of base units	22
6.4 Assembly	23
6.5 Procedure	24
6.6 Completion	25
6.7 Cleaning gauges	26
<b>7. Maintenance, cleaning and recalibration</b>	<b>27</b>
7.1 Periodic maintenance	27
7.2 Corrective maintenance	27
7.3 Cleaning	31
<b>8. Faults</b>	<b>32</b>
<b>9. Return and disposal</b>	<b>34</b>
<b>10. Accessories</b>	<b>35</b>
<b>Appendix: EC Declaration of conformity for model CPP1200-X</b>	<b>36</b>

Declarations of conformity can be found online at [www.wika.com](http://www.wika.com).

# 1. General information

## 1. General information

EN

- The model CPP1200-X hydraulic comparison test pump described in the operating instructions has been designed and manufactured using state-of-the-art technology. All components are subject to stringent quality and environmental criteria during production. Our management systems are certified to ISO 9001 and ISO 14001.
- These operating instructions contain important information on handling the instrument. Working safely requires that all safety instructions and work instructions are observed.
- Observe the relevant local accident prevention regulations and general safety regulations for the instrument's range of use.
- The operating instructions are part of the product and must be kept in the immediate vicinity of the instrument and readily accessible to skilled personnel at any time.
- Skilled personnel must have carefully read and understood the operating instructions prior to beginning any work.
- The manufacturer's liability is void in the case of any damage caused by using the product contrary to its intended use, non-compliance with these operating instructions, assignment of insufficiently qualified skilled personnel or unauthorised modifications to the instrument.
- The general terms and conditions contained in the sales documentation shall apply.
- Subject to technical modifications.
- Further information:  
**DH-Budenberg**  
A division of WIKA Instruments Ltd.
  - Internet address: [www.wika.de](http://www.wika.de) / [www.wika.com](http://www.wika.com)
  - Relevant data sheet: CT 31.06
  - Application consultant: Tel.: +44 844 4060086  
Fax: +44 844 4060087  
[sales@dh-budenberg.co.uk](mailto:sales@dh-budenberg.co.uk)

14076968.02 02/2015 EN/DE

# 1. General information / 2. Safety

## WIKA Alexander Wiegand SE & Co. KG

- Internet address: [www.wika.de](http://www.wika.de) / [www.wika.com](http://www.wika.com)
- Relevant data sheet: CT 31.06
- Application consultant: Tel.: +49 9372 132-0  
Fax: +49 9372 132-406  
[info@wika.com](mailto:info@wika.com)

EN

### Explanation of symbols



#### **WARNING!**

... indicates a potentially dangerous situation that can result in serious injury or death, if not avoided.



#### **CAUTION!**

... indicates a potentially dangerous situation that can result in light injuries or damage to equipment or the environment, if not avoided.



#### **Information**

... points out useful tips, recommendations and information for efficient and trouble-free operation.

## 2. Safety



#### **WARNING!**

Before installation, commissioning and operation, ensure that the appropriate hydraulic comparison test pump has been selected in terms of pressure range, design and specific measuring conditions. Non-observance can result in serious injury and/or damage to the equipment.



Further important safety instructions can be found in the individual chapters of these operating instructions.

## 2. Safety

EN

### 2.1 Intended use

Comparison test pumps serve as pressure generators for the testing, adjustment and calibration of mechanical and electronic pressure measuring instruments through comparative measurements. These pressure tests can take place in the laboratory or workshop, or on site at the measuring point.

The hydraulic comparison test pump features two connections, for test item and reference measuring instrument, which can be used in any order. If one connects the test item and a sufficiently accurate reference measuring instrument to the test pump, on actuating the pump, the same pressure will act on both instruments. By comparison of the two measured values at any given pressure value, a check of the accuracy and/or adjustment of the pressure measuring instrument under test can be carried out.

The integrated dual-area spindle pump enables rapid filling of the test system and smooth pressure generation up to 1,200 bar. At the same time, the precise, adjustable spindle pump also enables fine pressure adjustment.

A control schematic for pressure generation on the instrument base facilitates quick and easy operation. The pump is further characterised by the spindle which runs solely within the pump body. This eliminates any harmful bending moment from an externally running spindle and, especially for field operation, there is the advantage that dimensions of this pump do not alter during operation through the rotation of the spindle.



The term “reference measuring instrument” in these operating instructions refers to any pressure measuring instrument, such as: pressure gauge, electrical pressure measuring instrument and pressure transmitter with electrical output. The hydraulic comparison test pump system is only as accurate as the reference measuring instrument used. The reference measuring instrument should be regularly calibrated in order to ensure that its accuracy is maintained.

The instrument has been designed and built solely for the intended use described here, and may only be used accordingly.

The technical specifications contained in these operating instructions must be observed. Improper handling or operation of the instrument outside of its technical specifications requires the instrument to be taken out of service immediately and inspected by an authorised DH-Budenberg/WIKA service engineer.

Handle mechanical precision measuring instruments with the required care (protect from humidity, impacts, strong magnetic fields, static electricity and extreme temperatures, do not insert any objects into the instrument or its openings).

If the instrument is transported from a cold into a warm environment, the formation of condensation may result in instrument malfunction. Before putting it back into operation, wait for the instrument temperature and the room temperature to equalise.

The manufacturer shall not be liable for claims of any type based on operation contrary to the intended use.

### 2.2 Personnel qualification



#### **WARNING!**

#### **Risk of injury should qualification be insufficient!**

Improper handling can result in considerable injury and damage to equipment.

- The activities described in these operating instructions may only be carried out by skilled personnel who have the qualifications described below.
- Keep unqualified personnel away from hazardous areas.

#### **Skilled personnel**

Skilled personnel are understood to be personnel who, based on their technical training, knowledge of measurement and control technology and on their experience and knowledge of country-specific regulations, current standards and directives, are capable of carrying out the work described and independently recognising potential hazards.

Special operating conditions require further appropriate knowledge, e.g. of aggressive media.

DH-Budenberg/WIKA can provide dedicated training courses on the correct use of our products. Please contact your local office for further details.

### 2.3 Personal protective equipment (P.P.E.)

The personal protective equipment is designed to protect the skilled personnel from hazards that could impair their safety or health during work. When carrying out the various tasks on and with the instrument, the skilled personnel must wear personal protective equipment.

**Follow the instructions, displayed in the work area, regarding personal protective equipment!**

## 2. Safety

The required personal protective equipment must be provided by the operating company.

EN



### **Wear safety goggles!**

Protect eyes from flying particles and liquid splashes.

### 2.4 Special hazards



#### **WARNING!**

To ensure safe working on the instrument, the operating company must ensure

- that suitable first-aid equipment is available and aid is provided whenever required.
- that the operating personnel are regularly instructed in all topics regarding work safety, first aid and environmental protection and knows the operating instructions and, in particular, the safety instructions contained therein.



#### **WARNING!**

Residual media on the hydraulic comparison test pump can result in a risk to persons, the environment and the equipment. Take sufficient precautionary measures.

#### 2.4.1 Mineral oils health and safety information

DH-Budenberg/WIKA provide hydraulic mineral oil in containers up to 500 ml, labelled "ISO VG 22", for use up to 4,000 bar in test pumps. It is no more hazardous than other common lubricating oils.



It is the nature of the way in which this equipment is used, that there could be frequent and/or prolonged skin contact; in a few individuals this could give rise to skin irritation (Keratosis or Dermatitis). The use of an effective barrier cream and/or protective gloves will greatly reduce this possibility.



## 2. Safety

EN

### Description

Closed flash point	greater than 120 °C
Storage	not above 30 °C
Oral LD 50	15 g per kg body weight
Threshold limit value	5 mg/m <sup>3</sup>
Fire extinguishing media	CO <sub>2</sub> /dry chemical foam or water fog
Spillage	Soak with absorbent clay or proprietary absorbent
Waste disposal	Burn or dump in approved area

### Emergency treatment of acute effects

Ingestion	Do not induce vomiting. Administer 250 ml milk or olive oil. The main hazard following accidental ingestion is aspiration of liquid into lungs.
Aspiration	Send to hospital immediately
Inhalation	Remove to fresh air, if nausea persists seek medical attention.
Eye contact	Wash with copious amounts of water for at least 10 minutes. If irritation results or persists, obtain medical advice.
Skin contact	Where skin rashes or other abnormalities occur as a result of prolonged or repeated contact, medical advice should be obtained as soon as possible.

#### 2.4.2 Other liquids

For some very particular applications we supply specially constructed liquids. Copies of manufacturer's data can be sent on request.






If the hydraulic comparison test pump is used with water as the pressure medium, for pressures greater than 700 bar, it is recommended that a mixture of 90 % water and 10 % glycerine (by volume) is used.

## 2. Safety

### 2.5 Labelling, safety marks

EN

#### Product label

**DH-Budenberg**  →  

**Vergleichsprüfpumpe/Comparison test pump CPP1200-X**

**SERIAL No** **CPP1200-X/123456**

**Max PRESSURE** **1200 bar**

**MANUFACTURED** **06/2013**

**PRESSURE MEDIUM** **OIL**

DH-Budenberg  
10 Huntsman Drive, Irlam, Manchester, M44 5AY, U.K.  
www.wika.com

**WIKAI**

For an explanation of symbols, see below.

Serial No.

Pressure range

Date of manufacture

Pressure medium

#### Explanation of symbols



Before mounting and commissioning the instrument, ensure you read the operating instructions!



#### **CE, Communauté Européenne**

Instruments bearing this mark comply with the relevant European directives.

## 3. Specifications

### 3. Specifications

EN

Specifications	Model CPP1200-X
Pressure range	0 ... 1,200 bar
Pressure transmission medium	Hydraulic fluid from mineral oil/clean water, free of calcium-carbonate <sup>1)</sup>
Reservoir	170 cm <sup>3</sup>

#### Pressure connections

Test item connection	2 x G ½ female thread, loose union connection
Distance between test connections	290 mm

#### Piston of spindle pump

Piston diameter, low-pressure piston	31.2 mm
Piston diameter, high-pressure piston	12.7 mm
Displacement	approx. 10 cm <sup>3</sup>

#### Material

Wetted parts	Austenitic stainless steel, high tensile brass, nitrile rubber
--------------	--

#### Permissible ambient conditions

Operating temperature	0 ... 40 °C
-----------------------	-------------

#### Instrument base

Dimensions	401 x 397 x 155 mm (W x D x H), for details, see technical drawings
Weight	13.5 kg

1) Other pressure transmission media available on request.

### Storage case (option)

Material	Wood
Dimensions	664 x 614 x 380 mm (W x D x H)
Weight	8.5 kg

## 3. Specifications

### CE conformity

Pressure equipment directive 97/23/EC (PS > 1,000 bar; Module A, pressure accessory)

EN

Approvals and certificates, see website

For further specifications see WIKA data sheet CT 91.08 and the order documentation.

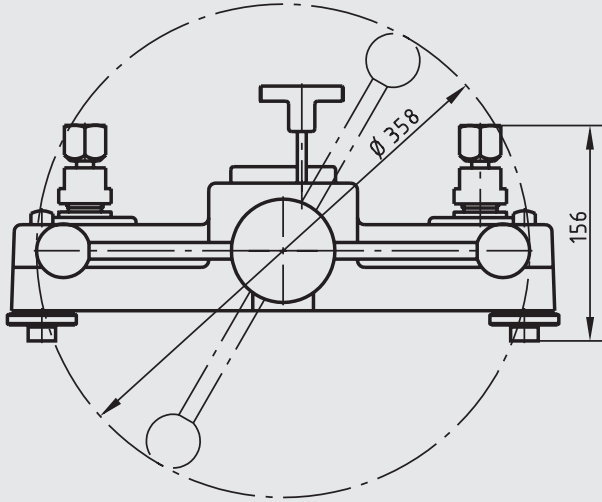
### Transport dimensions

The hydraulic comparison test pump in the standard version and standard scope of supply will be delivered in a single package with dimensions 590 x 490 x 380 mm. The weight is 18 kg net / 22 kg gross.

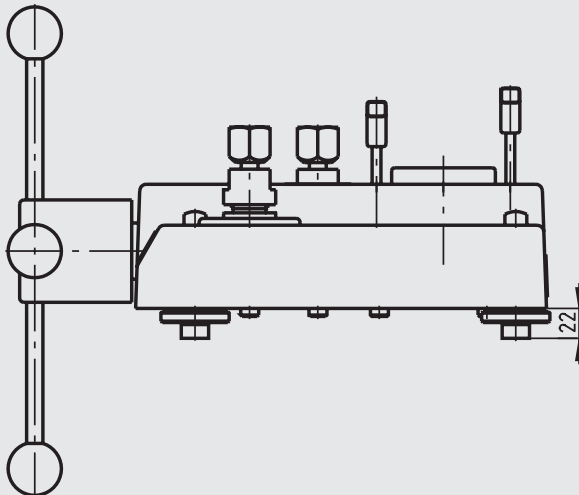
### 3. Specifications

#### Dimensions in mm

Front view



Side view



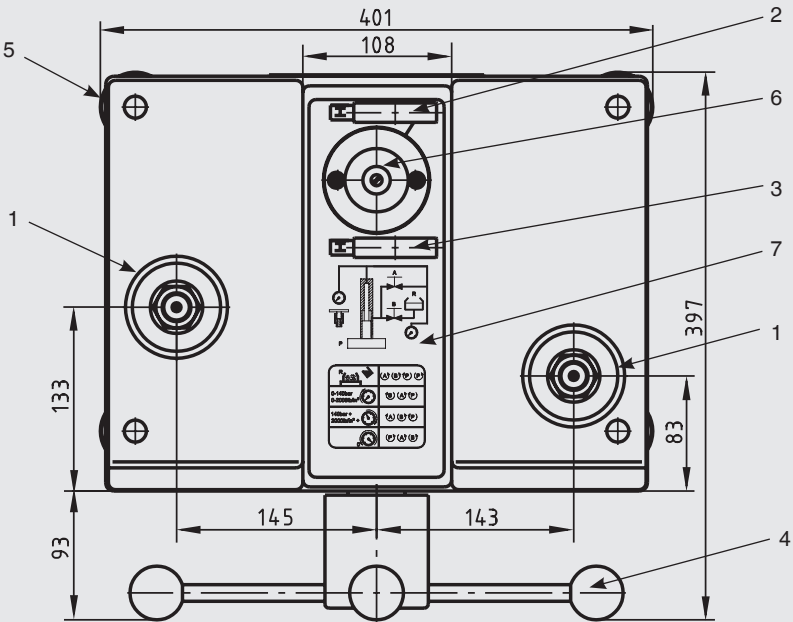
14076968.02 02/20 15 EN/DE

EN

### 3. Specifications

EN

Top view

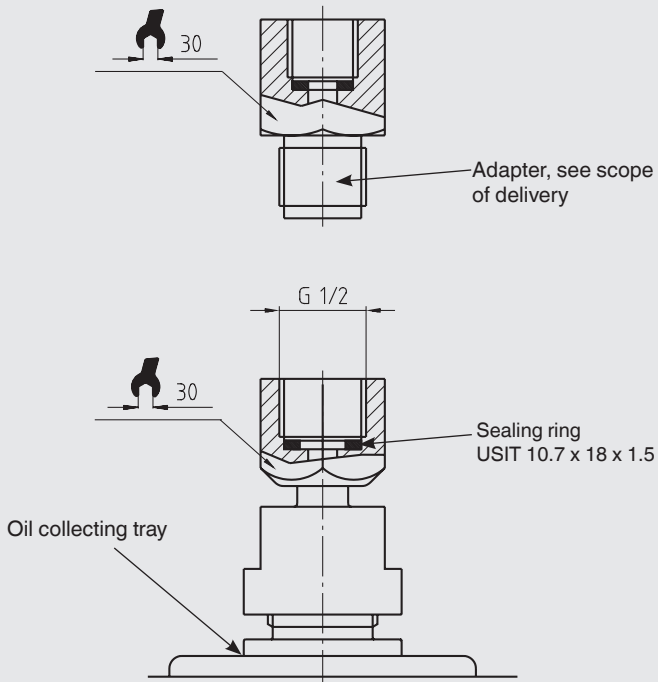


- (1) Test connection
- (2) High-pressure shut-off valve
- (3) Low-pressure shut-off valve
- (4) Dual-area spindle pump with star handle
- (5) Rotatable feet
- (6) Reservoir with sealing plug
- (7) Pressure generation control schematic

### 3. Specifications

EN

#### Test connection



When using thread adapters, the thread adapter has to be connected pressure tight to the test item first. After that the test item with mounted adapter can be inserted into the test connection and can be oriented.

### 3. Specifications

#### Liquids used

A hydraulic mineral oil with viscosity 20 ... 37 cSt at 40 °C and viscosity grade VG20 to VG37 to ISO 3448 (BS 4231) is used for the model CPP1200-X hydraulic comparison test pump. Most users will be able to obtain locally suitable oil (see below) as used in hydraulic machinery. However, for the convenience of users we can supply a 500 ml bottle of oil, viscosity grade VG22.

EN

#### Oils suitable for test pumps

The following oils are the commercially available oils suitable for use in test pumps.

ISO 3448 viscosity grade	Approx. SAE viscosity classification	Shell	Esso	Mobil
VG22	--	Tellus 22 Tellus R22	Nuto H22	DTE 22
VG32	10W	Tellus V32 DTE 24	Nuto H32	DTE Oil Light
VG37	--	Tellus 37 Tellus R37 Tellus T37 Tellus V37	--	--

#### Other liquids

The model CPP1200-X hydraulic comparison test pump is designed for use with mineral oils. If an end user wishes to use it on another fluid, it is the end user responsibility to ensure that the fluid is compatible with high tensile brass, stainless steel, mild steel, and nitrile rubber, which are the materials that will come into contact with the fluid.



Fluids, which attack ABS, should be used with caution. Continual immersion of the cover in such fluids will cause deterioration. Spillages should be wiped off immediately.



#### **Wear safety goggles!**

Protect eyes from flying particles and liquid splashes.



### 4. Design and function

#### 4.1 Description

The model CPP1200-X hydraulic comparison test pump features optimal characteristics for use in the laboratory, as well as the ruggedness needed for industrial applications. It is suitable for pressure generation up to 1,200 bar.

Test item and reference measuring instrument are connected to the two test connections.

#### 4.2 Scope of delivery

- Instrument base
- Dual-area spindle pump for filling, pressure generation and fine pressure adjustment
- 2 test connections with G ½ female thread, loose union connection
- Adapter set for test item connection selectable from 3 different sets:
  - Set of adapters "BSP" G ½ male on G ⅛, G ¼, G ⅜ and G ½ female
  - Set of adapters "NPT" G ½ male on ⅛ NPT, ¼ NPT, ⅜ NPT and ½ NPT female
  - Set of adapters "metric" G ½ male on M12 x 1.5 and M20 x 1.5 female
- VG22 mineral oil (0.5 litre)
- Tool and maintenance set consisting of:
  - 1 hexagon wrench key 3 mm A/F
  - 2 x 30 mm A/F open-ended spanners
  - 1 spirit level
  - 4 level plates
  - 1 bag of seals
  - 1 pointer punch
  - 1 pointer remover
  - 1 test item connection
- Operating instructions in German and English language

Cross-check scope of delivery with delivery note.

#### 4.3 Base unit

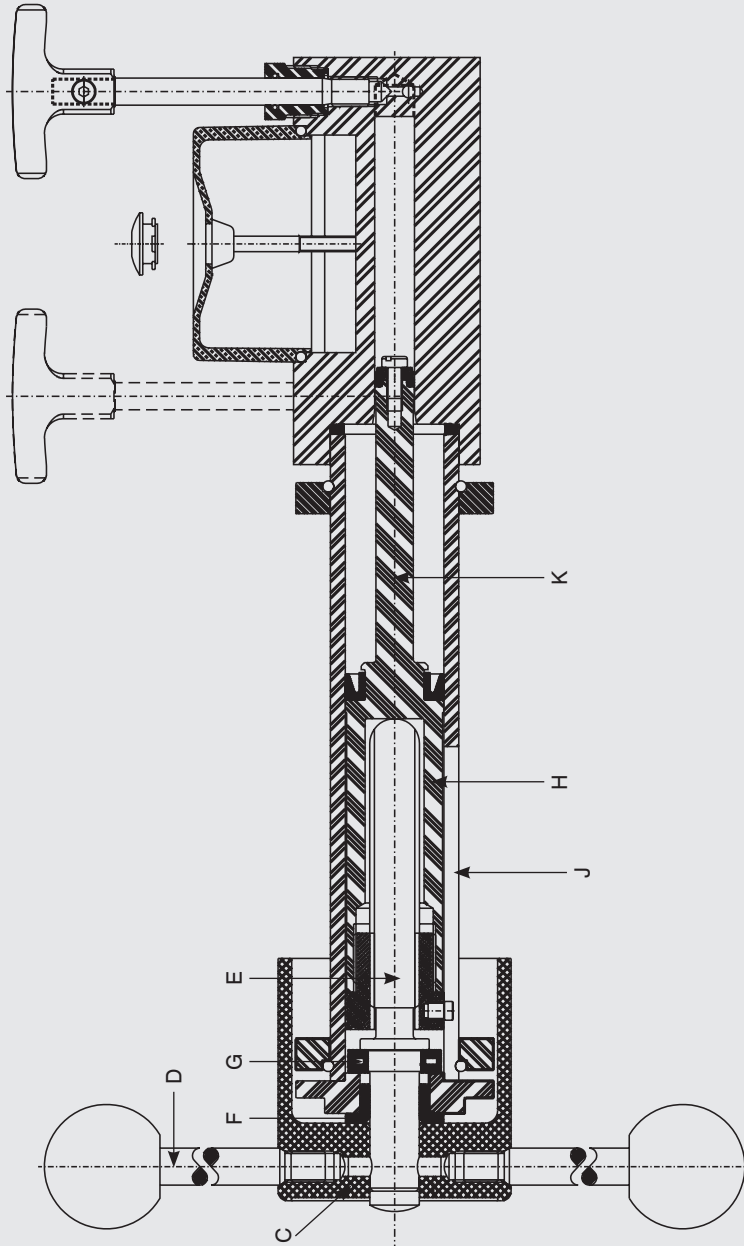
The model CPP1200-X base unit consists of a solid aluminium base plate mounted on four adjustable levelling feet, a spindle pump, reservoir, control valves, pipework to two stainless steel pressure connection blocks. The pipework and above mentioned assemblies are covered by an easy to clean ABS cover.

The component identification numbers in brackets in each procedure refer to the following figure.

## 4. Design and function

Sectioned view of spindle pump

EN



14076968.02 02/2015 EN/DE

## 4. Design and function

EN

### 4.3.1 Spindle pump

The spindle pump is bolted to the reservoir/high pressure cylinder block fastened to the base unit. A sectioned view of the pump is shown. The rotating handwheel (**C**) which is operated by the spokes (**D**) is attached to a threaded spindle (**E**). The spindle is supported in a sintered bearing (**F**). As the spindle (**E**) is rotated, it drives a non-rotating ram (**E** and **K**) forward, the thrust being taken by a needle thrust bearing (**G**). The large diameter of the ram (**H**) in the barrel of the pump (**J**) primes the pressure system and provides the low pressure up to approximately 140 bar (2,000 lb/in<sup>2</sup>). The small diameter of the ram (**K**) in the reservoir/high pressure cylinder block provides the higher test pressures up to 1,200 bar (16,000 lb/in<sup>2</sup>).

### 4.3.2 Reservoir

A liquid reservoir is provided on the top of reservoir/high pressure cylinder block. The reservoir is provided with a translucent cover to enable the reservoir level to be monitored. A plug in the middle of the reservoir cover enables the reservoir to be filled or topped up (the plug is removed whilst the test pump is in use). The reservoir contains enough liquid (approximately 150 cm<sup>3</sup>) to enable normal operation of the test pump to be carried out.

Low pressure ram displacement = 60 cm<sup>3</sup>

High pressure ram displacement = 10 cm<sup>3</sup>

### 4.3.3 Control valves

Two control valves are provided on the top of reservoir/high pressure cylinder block. The valve mechanisms are built into the reservoir/high pressure cylinder block and they control the flow of liquid through internal drillings in the reservoir/high pressure cylinder block. The rear valve is referred to as valve **A** and is used to control the output from the high-pressure ram of the spindle pump. The front valve is referred to as valve **B** and is used to control the flow of liquid to and from the reservoir.

### 4.3.4 Connection blocks

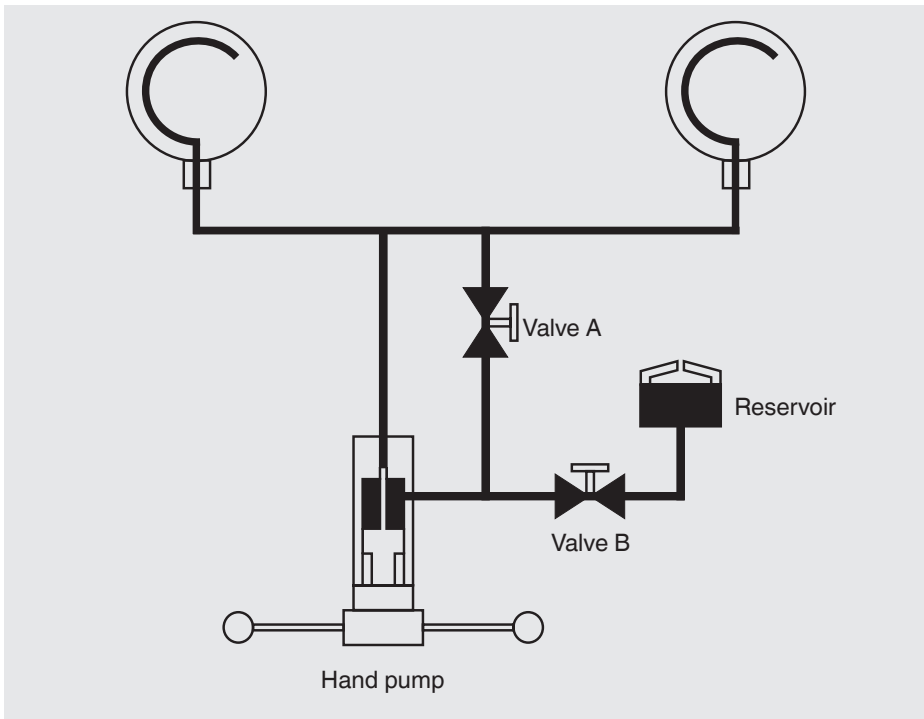
Pressure supply pipes from the spindle pump are terminated at two pressure blocks mounted on the base unit. The pressure blocks are fitted with threaded bosses projecting up through the cover plate of the base unit. These threaded bosses enable the delivered test connections to be directly screwed on to them, and it is also possible, using threaded adapters, to connect the various sizes of measuring instrument connections. Oil cups are fitted to the unit cover around the threaded bosses of the connection blocks to catch any oil drips from the gauge stand during gauge fitting and removal.

## 4. Design and function

### 4.4 Function

EN

Operation of the hydraulic comparison test pump is controlled by the two valves **A** and **B** on the top of the reservoir/high pressure cylinder block. When initially priming the system valves **A** and **B** are opened to fill the system with oil from the reservoir. Valve **B** is then closed with valve **A** left open and the spindle pump operated to provide the lower test pressures. To provide the higher pressures valve **A** is closed to seal off the test circuit from the low pressure part of the spindle pump and valve **B** is opened to allow the liquid in the low pressure part of the spindle pump to return to the reservoir as the pump is operated. This ensures that the pump can be operated without having to put large forces on the spindle pump handwheel. To release the test pressure the spindle pump is wound out and valve **A** is opened.



## 5. Transport, packaging and storage

### 5. Transport, packaging and storage

EN

#### 5.1 Transport

Check the model CPP1200-X hydraulic comparison test pump for any damage that may have been caused by transport.

Obvious damage must be reported immediately.

#### 5.2 Packaging

Do not remove packaging until just before mounting.

Keep the packaging as it will provide optimum protection during transport (e.g. change in installation site, sending for repair or recalibration).

#### 5.3 Storage

##### Permissible conditions at the place of storage:

- Storage temperature: -10 ... +50 °C
- Humidity: 35 ... 85 % relative humidity

##### Avoid exposure to the following factors:

- Direct sunlight or proximity to hot objects
- Mechanical vibration, mechanical shock (putting it down hard)
- Soot, vapour, dust and corrosive gases
- Potentially explosive environments, flammable atmospheres
- Corrosive liquids

Store the model CPP1200-X hydraulic comparison test pump in its original packaging in a location that fulfils the conditions listed above. If the original packaging is not available, pack and store the instrument as described below:

1. Wrap the instrument in an antistatic plastic film.
2. Place the instrument, along with shock-absorbent material, in the packaging.
3. If stored for a prolonged period of time (more than 30 days), place a bag, containing a desiccant, inside the packaging.

## 6. Commissioning, operation

### 6. Commissioning, operation

EN

#### 6.1 Unpacking the hydraulic comparison test pump

As soon as possible after delivery open the packaging of the hydraulic comparison test pump and check that you have all the items detailed in the packing list (see chapter 4.2 “Scope of delivery”). As you are unpacking the items, examine them for signs of damage or breakage during transit.

If any items are missing get in touch immediately with DH-Budenberg/WIKA to inform us of the shortage.

#### 6.2 Environmental requirement

When siting the hydraulic comparison test pump not in a temperature controlled laboratory, look for an area that satisfies the following criteria as much as possible:

- A constant temperature area free from draughts and sources of heat or cold
- An area free from noise and vibration, constantly used pathways
- A clean dry area free from corrosive liquids or vapours

A strong, stable, level table or workbench with the capability of supporting the system with sufficient space to operate is required.

#### 6.3 Assembly of base units

##### Fastening base to bench

The base is to be mounted on a firm, level table or bench about 0.9 m high. The centre line of the front adjustable feet of the unit should be about 40 mm from the front edge of the bench to allow adequate clearance for the handwheel.

1. Mark the position of the adjustable feet of the unit on the top of the bench.
2. Position a level plate at the centre of each of the adjustable feet of the unit and screw the plate to the bench to ensure that the hydraulic comparison test pump is rigid.
3. Fit the base unit on the bench with the adjustable feet on the level plates and the handwheel shaft projecting over the front of the bench.
4. Screw in the four handwheel spokes into the hub.
5. Using the spirit level provided, level the test pump by adjusting the four knurled feet.

14076968.02 02/2015 EN/DE

### 6.4 Assembly

#### 6.4.1 Connection of the test item and the reference measuring instrument

The instrument to be tested and the reference measuring instrument are inserted into the two test connections and can be oriented. It doesn't matter which port is used for which instrument.



To calibrate instruments with a rear-mount connection, an angular connector is available as an accessory.



#### **WARNING!**

Check that the seals in the test connections are seated correctly and are not worn. Replace them if necessary.

It is important that any instrument that is to be connected is clean inside.



As standard, the test connections are G ½ female.

For calibrating instruments with other connection threads, the appropriate thread adapter can be used (see chapter 10 "Accessories").



When using thread adapters, the thread adapter has to be connected pressure tight to the test item first.

After that the test item with mounted adapter can be inserted into the test connection and can be oriented.

#### 6.4.2 Filling the base unit with liquid

1. Remove filler plug from reservoir by prising plug out. (This plug should be left out whilst in use).
2. Open valves **A** and **B**.
3. Wind spindle pump handle fully clockwise.
4. Fill reservoir with appropriate liquid. Use the oil supplied or an approved substitute for oil systems. Do not use other liquids. Castor based oils, Skydrol, solvents or similar liquids will attack the seals fitted in the test pump.

## 6. Commissioning, operation

5. Wind spindle pump handle fully anti-clockwise.
6. Top up reservoir if necessary.

EN



### **Wear safety goggles!**

Protect eyes from flying particles and liquid splashes.

### **6.4.3 Post assembly test**

1. Carry out a test calibration of a known instrument (see chapter 6.6 “Procedure”) to ensure that the unit is working correctly.
2. Release the pressure and remove the test instrument.



To remove the instrument from the system, use the appropriate size of spanners on the top section of the pressure connection and on the body of the instrument only. Ensure that the lower part of the pressure connection is not rotated as this may release it from the base.

3. The system is now ready for use.



When testing equipment with a large volume, the capacity of the spindle pump (65 cm<sup>3</sup>) may be insufficient to reach the pressure required. In this case, the equipment should be filled as far as possible with the liquid before connecting it to the system, so that the displacement needed is reduced.

Dirty or chemically contaminated test items should not be fitted as they contaminate the system unless they are first cleaned.



### **Wear safety goggles!**

Protect eyes from flying particles and liquid splashes.

### **6.5 Procedure**

1. Fit instrument to be tested to a test connection.
2. Connect the reference measuring instrument to the other test connection.



## 6. Commissioning, operation

EN

### 6.5.1 To apply pressure

#### For pressures up to 140 bar (2,000 lb/in<sup>2</sup>)

1. Close valve **B** (valve **A** remaining open).
2. Wind spindle pump handle clockwise. This will generate pressure up to approximately 140 bar or 2,000 lb/in<sup>2</sup>, as handle is wound in. When handle becomes stiff to rotate this will indicate that the pressure limit for this range has been reached.

#### For pressures above 140 bar (2,000 lb/in<sup>2</sup>)

1. Close Valve **A** and open valve **B**.
2. Continue to wind spindle pump handle clockwise. This will generate pressure up to approximately 1,200 bar or 16,000 lb/in<sup>2</sup>.

### 6.5.2 During calibration

Increase the pressure via the spindle pump in the clockwise direction, or use the fine adjustment to approach the individual calibration points.

The display of the pressure measuring instrument being tested can be compared with the reference measuring instrument at the individual calibration points.



If there are still small air particles within the system, the generated test pressure will initially drop and must be readjusted accordingly.

With higher pressures, a longer waiting time than with lower pressures should be expected until the steady-state condition has been reached.

### 6.6 Completion

1. After the test is finished wind spindle pump handle anti-clockwise to lower pressure.
2. Gently open valve **A** or **B** to release residual pressure.
3. Ensure that both valves **A** and **B** are fully open.
4. Remove device under test.

The system is now ready for another test and any residual pressure is relieved.

## 6. Commissioning, operation

### 6.7 Cleaning gauges

EN

This cleaning/degreasing process is only suitable for use with pressure gauges with either phosphor bronze, beryllium copper, Monel or stainless steel Bourdon tubes in the form of a "C".

It is not advisable to degrease pressure gauges with steel Bourdon tubes since a very small amount of corrosion on the bore of a Bourdon tube can cause inaccuracies of reading and early failure of the tube.



#### **Wear safety goggles!**

Protect eyes from flying particles and liquid splashes.

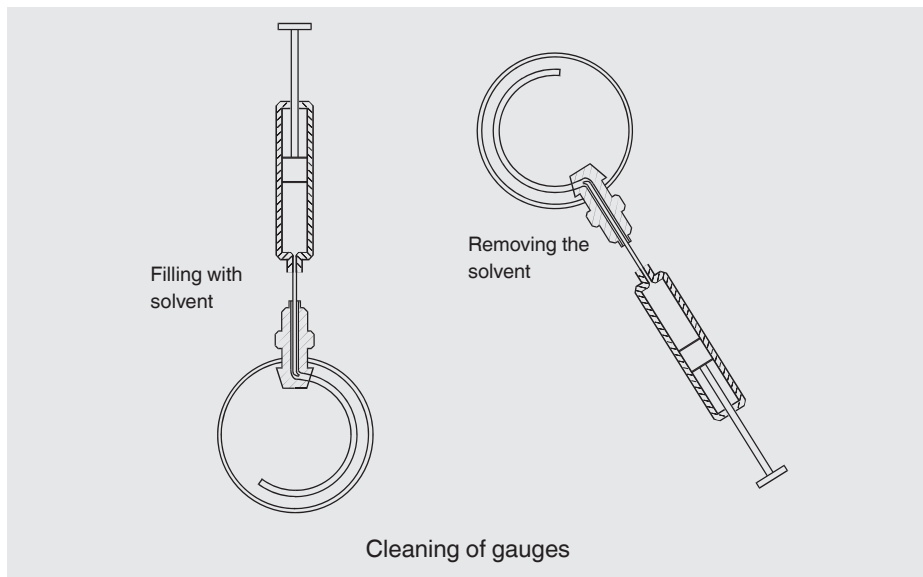
This method of cleaning is not suitable for use with pressure gauges which are fitted with coiled Bourdon tubes, nor any gauges which are to be used on oxygen, as complete removal of oil is not assured. Please contact DH-Budenberg/WIKA.

#### **Equipment**

This consists of a syringe and a special needle with the point bent through 90°.

#### **Instructions**

1. Fill syringe with solvent (suitable cold degreasing liquid).
2. With gauge connection pointing upwards put needle into connection and insert by feel the point into the hole leading to the tube.
3. Inject the solvent. Ideally the tube should be half full.
4. Shake gauge in various attitudes to agitate solvent.
5. Suck solvent back into syringe, holding gauge at an angle.
6. Check that solvent removed is clean. To be sure that all oil has been removed, repeat cleaning process until solvent removed from gauge is as clean as that put in.



## 7. Maintenance and cleaning

### 7.1 Periodic maintenance

Repairs must only be carried out by the manufacturer.

Cleaning the units and checking the liquid levels is the only periodic maintenance required. With normal use, no further maintenance should be necessary. If required, the system can be returned to the manufacturer for re-conditioning.



Fluids, which attack ABS, should be used with caution. Continual immersion of the cover in such fluids will cause deterioration. Spillage's should be wiped off immediately.

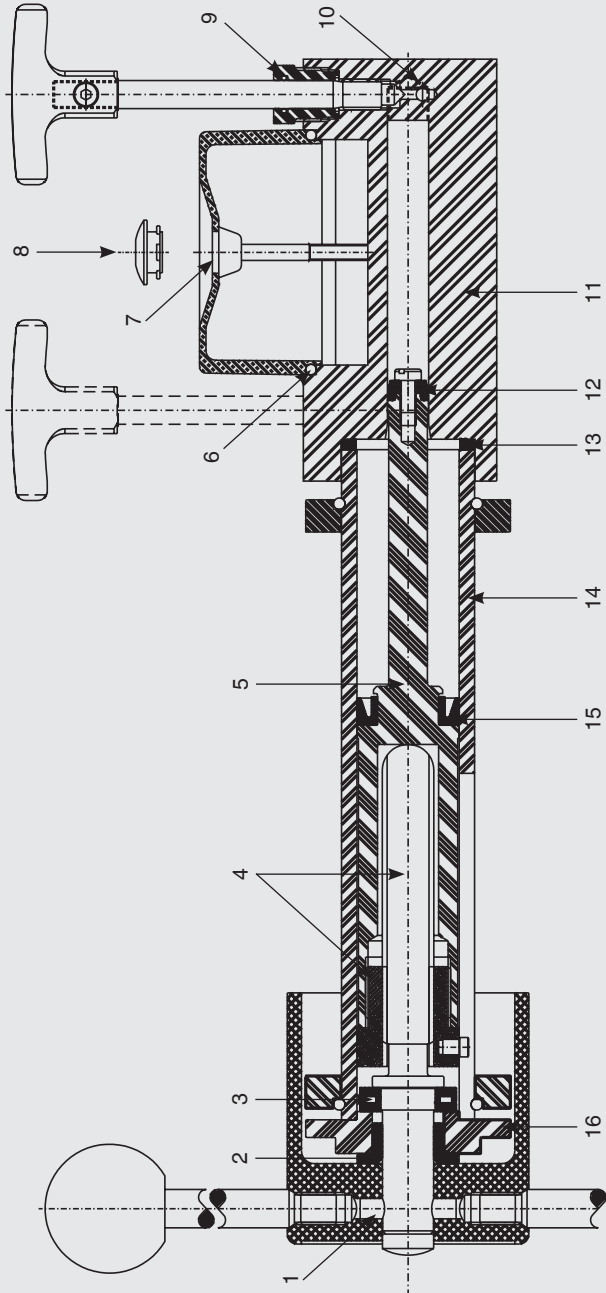
### 7.2 Corrective maintenance

#### 7.2.1 General

This section contains details on stripping the unit and replacing the spare parts which are listed (see chapter 10 "Accessories"). The component identification numbers in brackets in each procedure refer to the following figure.

## 7. Maintenance and cleaning

EN



## 7. Maintenance and cleaning

EN

### 7.2.2 Removing the cover

1. Drain as much oil as possible from the test pump by turning the spindle pump fully clockwise and using a drain screwed into the test connection.
2. Remove the oil cups by levering upwards carefully.
3. Slacken the socket set screw using a 3 mm hexagon wrench key and remove both handwheels.
4. Remove the four cover retaining screws and lift off the cover.

### 7.2.3 Reservoir seals

1. Unscrew two screws and remove the reservoir cover
2. Remove the O-ring seal **(6)** from the recess and the Seloc seal **(7)** from the screws.
3. On replacement ensure all sealing faces are absolutely clean and do not overtighten screws.

### 7.2.4 Valve seals

1. Unscrew the gland nut.
2. Unscrew the valve spindle and remove the bonded seal.
3. Slide gland nut off spindle.
4. Using a suitable hooked tool remove the O-ring seal **(9)** from the bore of the gland nut. Renew O-ring and bonded seal **(10)**.
5. On replacement ensure that O-ring is correctly located in the groove and all sealing faces are clean. Remove all burrs from spindle.

### 7.2.5 Spindle pump

1. Using a 4 mm hexagon wrench key unscrew the six socket head cap screws securing the hub locating plate. (These are positioned inside the recess in the back of the aluminium hub).
2. By carefully pulling the hub the complete ram assembly can now be withdrawn from the barrel (During this operation a container is required beneath the barrel to catch any liquid).
3. Unscrew the ram from the hub assembly.

## 7. Maintenance and cleaning

EN

4. The high pressure seal **(12)** and low pressure seal **(15)** can now be replaced. Before fitting the new seals check the ram is not scored on the locating diameters.
5. At this point the hub assembly should be checked for excess play indicating wear in the bearing and for wear in the screwed spindle and nut. If any wear is found it will be necessary to dismantle the hub assembly.
6. Check the bore of the block assembly **(11)** is not badly scored or pitted. If a replacement is required this item is supplied complete with valves. The block is attached to the base by socket head cap screws.
7. Re-assembly is a straightforward reversal of the above procedures.



On assembly care should be taken to align the ram to prevent bending, or damage to the seals. Excessive force should not be used.

The socket head cap screws are not spaced equally around the locating flanges so check hole alignment before inserting screws.

### 7.2.6 Hub assembly

1. Unscrew the ram from the spindle. **NOTE:** left hand thread.
2. Unscrew the spokes from the hub.
3. Knock out the spring pin **(1)**, found at the bottom of one of the tapped spoke holes in the hub, using a punch 6 mm dia. Pull off hub.
4. The hub locating plate and thrust bearing can now be removed from the spindle.
5. If the flanged bush **(2)** is to be renewed, it should be pressed out of the locating plate and a new one pressed in squarely.
6. The thrust bearing **(3)** is renewed as a complete assembly.
7. The nut, pin and spindle sub-assembly **(4)** can only be replaced as a matched pair. Unscrew the nut from the ram, gripping in a soft jaw vice and screw in the new nut.
8. Assemble the thrust bearing, locating plate and hub on to the spindle, lubricating with molybdenum disulphide grease.
9. Clamp these items together to eliminate end play and re-assemble spring pin. If using new spindle drill through 6.3 mm diameter to fit spring pin **(1)**.
10. Lubricate the thread with molybdenum disulphide grease and screw into ram nut.

## 7. Maintenance and cleaning

EN

### 7.3 Cleaning

#### Cleaning the unit and checking the liquid levels.

##### Oil operation

Keep the system clean and free from spilt oil. Wipe out the oil cups under the gauge stands as necessary. Do not use any cleansing solvents as they may damage the seals.

Ensure that the reservoir contains sufficient liquid to carry out any calibrations required. If necessary top up the reservoir with the same liquid that is already being used. Do not mix various types or brands of liquid in the pressure balance.

If the oil in the test pump becomes dirty, attach a drain to the test connection and use the spindle pump to flush through clean oil. (An angle connection is suitable). The spindle pump should be turned fully clockwise before starting.



##### **Wear safety goggles!**

Protect eyes from flying particles and liquid splashes.



For information on returning the instrument see chapter 9.1 "Return".

## 8. Faults

### 8. Faults

EN

Faults	Causes	Measures
Equipment does not provide any output pressure.	No liquid in the test pump.	Check that the test pump is filled with liquid. Fill the equipment with fluid as necessary. See chapter 6.5.1 "Filling the equipment with liquid".
	Valve B is open.	Close valve B and try again.
	Component being tested has a large volume.	Pre-fill component with liquid before test.
	Missing or damaged liquid seals shown by signs of unexplained liquid leaks.	Examine seals on equipment to ensure they are fitted correctly and are undamaged. Replace as necessary.
	Valve B handwheel disconnected from spindle.	Examine valve B. Tighten up nut securing handwheel to spindle as necessary.
	Valve B assembly or valve seat damaged.	Examine condition of valve B and valve seat. Replace valve assembly or return test pump to DH-Budenberg/WIKA for overhaul as necessary.
	If unable to locate a cause.	Return test pump to DH-Budenberg/WIKA for investigation.
Equipment provides pressure but pressure decays to zero	Incorrect operating procedure being used.	Ensure that correct operating procedure is being followed (see chapter 6.6).
	Missing or damaged liquid seals shown by signs of unexplained liquid leaks.	Examine seals on equipment to ensure they are fitted correctly and are undamaged. Replace as necessary.
	Valve A or Valve B valve assembly or valve seat damaged.	Examine condition of valves A and B and valve seat. Replace valve assembly or return test pump to DH-Budenberg/WIKA for overhaul as necessary.
	If unable to locate a cause.	Return test pump to DH-Budenberg/WIKA for investigation.

14076968.02.02/2015 EN/DE



## 8. Faults

EN

Faults	Causes	Measures
Equipment provides pressure but pressure decays when valves A and B are operated.	Incorrect operating procedure being used.	Ensure that correct operating procedure is being followed (see chapter 6.6).
	If unable to locate a cause.	Return test pump to DH-Budenberg/WIKA for investigation.
Equipment provides pressure but pressure decays to lower value then remains steady.	Insufficient liquid in pressure balance.	Check liquid level in reservoir. Fill reservoir with correct liquid as necessary (see chapter 6.5.1).
	Air in the system	Pre-fill component under test with appropriate liquid. If necessary re-fill pressure balance with appropriate liquid.
	If unable to locate a cause.	Return test pump to DH-Budenberg/WIKA for investigation.
	Internal damage	Return test pump to DH-Budenberg/WIKA for investigation.
	Incorrect operating procedure being used.	Ensure that correct operating procedure is being followed (see chapter 6.6).
	If unable to locate a cause.	Return test pump to DH-Budenberg/WIKA for investigation.
The spindle pump of the test pump becomes very stiff to operate when the test pump is being used in the range below 140 bar (2,000 lb/in <sup>2</sup> ).	Internal damage	Return test pump to DH-Budenberg/WIKA for investigation.
The spindle pump of the test pump becomes very stiff to operate when the test pump is being used in the range over 140 bar (2,000 lb/in <sup>2</sup> ).	Incorrect operating procedure being used.	Ensure that correct operating procedure is being followed (see chapter 6.6).
	If unable to locate a cause.	Return test pump to DH-Budenberg/WIKA for investigation.

14076968.02.02/2015 EN/DE



### CAUTION!

If faults cannot be eliminated by means of the measures listed above, shut down the test pump immediately, and ensure that pressure is no longer present, and secure the instrument from being put back into operation inadvertently.

In this case, contact the manufacturer.

If a return is needed, please follow the instructions given in chapter 9.1 "Return".

## 9. Return and disposal



### WARNING!

Residual media on the hydraulic comparison test pump can result in a risk to persons, the environment and the equipment. Take sufficient precautionary measures.

### 9.1 Return



### WARNING!

Strictly observe the following when shipping the instrument:

All instruments delivered to DH-Budenberg/WIKA must be free from any kind of hazardous substances (acids, bases, solutions etc.).

When returning the instrument, use the original packaging or a suitable transport package.

To avoid damage:

1. Drain all fluid from reservoir.
2. Wrap the instrument in an antistatic plastic film.
3. Place the instrument, along with the shock-absorbent material, in the packaging.  
Place shock-absorbent material evenly on all sides of the transport packaging.
4. If possible, place a bag, containing a desiccant, inside the packaging.
5. Label the shipment as transport of a highly sensitive measuring instrument.



Information on returns can be found under the heading "Service" on our local website.

## 9. Return and disposal / 10. Accessories

### 9.2 Disposal

Incorrect disposal can put the environment at risk.

Dispose of instrument components and packaging materials in an environmentally compatible way and in accordance with the country-specific waste disposal regulations.

EN



This marking on the instruments indicates that they must not be disposed of in domestic waste. The disposal is carried out by return to the manufacturer or by the corresponding municipal authorities (see EU directive 2002/96/EC).

## 10. Accessories

Designation/Variant	Order no.
Storage case for CPP1200-X instrument base	14031237
Adapter set "BSP" for test item connection G ½ B male on G ⅛, G ¼, G ⅜ and G ½ female	14031238
Adapter set "NPT" for test item connection G ½ B male on ⅛ NPT, ¼ NPT, ⅜ NPT and ½ NPT female	14031239
Adapter set "metric" for test item connection G ½ B male on M12 x 1.5 and M20 x 1.5 female	14031242
Adapter for test item connection, G ½ B male on M16 x 1.5 male with sealing cone, material: stainless steel hardened	11580454
Test item connection piece, G ¾ female to G ½ female, loose union connection	14031251
90° angle connection, for test items with back mounting connection	1564838
Sealing and maintenance set for instrument base, standard version	14031255
Hydraulic fluid based on VG22 mineral oil in plastic bottle, content 0.5 litre	2099954
Tool set consisting of open-ended spanner, BSP adapter, replacement seals, pointer remover and pointer punch	14031263



## EG-Konformitätserklärung

## EC Declaration of Conformity

**Dokument Nr.:**

14089735.01

**Document No.:**

14089735.01

Wir erklären in alleiniger Verantwortung, dass die mit CE gekennzeichneten Produkte

We declare under our sole responsibility that the CE marked products

**Typ:**

CPP1200-X

**Model:**

CPP1200-X

**Beschreibung:**

Hydraulische Vergleichsprüfpumpe

**Description:**

Hydraulic comparison test pump

gemäß gültigem Datenblatt:

CT 91.08

according to the valid data sheet:

CT 91.08

die grundlegenden Schutzanforderungen der folgenden Richtlinie(n) erfüllen:

97/23/EG (DGRL) <sup>(1)</sup>

(1) PS > 1000 bar; Modul A, druckhaltendes Ausrüstungsteil

are in conformity with the essential protection requirements of the directive(s)

97/23/EC (PED) <sup>(1)</sup>

(1) PS > 1000 bar; Module A, pressure accessory

Unterszeichnet für und im Namen von / Signed for and on behalf of

**DH-Budenberg Ltd.**

Manchester, 2013-10-25

Alfred Häfner, Managing Director

Unterschrift, autorisiert durch das Unternehmen / Signature authorized by the company

DH-Budenberg Ltd.  
2 Gilchrist Road, Northbank Industrial Estate  
Irlam, Manchester M44 5 AY  
United Kingdom

Tel.: +44(0) 161 777 0  
Fax: +44(0) 161 777 0  
www.dh-budenberg.com

# Inhalt

<b>1. Allgemeines</b>	<b>38</b>
<b>2. Sicherheit</b>	<b>39</b>
2.1 Bestimmungsgemäße Verwendung	40
2.2 Personalqualifikation	41
2.3 Persönliche Schutzausrüstung	41
2.4 Besondere Gefahren	42
2.5 Beschilderung, Sicherheitskennzeichnungen	44
<b>3. Technische Daten</b>	<b>45</b>
<b>4. Aufbau und Funktion</b>	<b>51</b>
4.1 Beschreibung	51
4.2 Lieferumfang	51
4.3 Basement	51
4.4 Funktionen	54
<b>5. Transport, Verpackung und Lagerung</b>	<b>55</b>
<b>6. Inbetriebnahme, Betrieb</b>	<b>56</b>
6.1 Auspacken der hydraulischen Vergleichsprüfpumpe	56
6.2 Umgebungsbedingungen	56
6.3 Aufstellen des Basements	56
6.4 Zusammenbau	57
6.5 Vorgehensweise	58
6.6 Abschlussarbeiten	59
6.7 Reinigung der Messgeräte	60
<b>7. Wartung, Reinigung und Rekalibrierung</b>	<b>61</b>
7.1 Periodische Wartung	61
7.2 Instandhaltung	61
7.3 Reinigung	65
<b>8. Störungen</b>	<b>66</b>
<b>9. Rücksendung und Entsorgung</b>	<b>68</b>
<b>10. Zubehör</b>	<b>69</b>
<b>Anlage: EG-Konformitätserklärung Typ CPP1200-X</b>	<b>70</b>

Konformitätserklärungen finden Sie online unter [www.wika.de](http://www.wika.de).

# 1. Allgemeines

## 1. Allgemeines

DE

- Die in der Betriebsanleitung beschriebene hydraulische Vergleichsprüfpumpe Typ CPP1200-X wird nach dem aktuellen Stand der Technik konstruiert und gefertigt. Alle Komponenten unterliegen während der Fertigung strengen Qualitäts- und Umweltkriterien. Unsere Managementsysteme sind nach ISO 9001 und ISO 14001 zertifiziert.
- Diese Betriebsanleitung gibt wichtige Hinweise zum Umgang mit dem Gerät. Voraussetzung für sicheres Arbeiten ist die Einhaltung aller angegebenen Sicherheitshinweise und Handlungsanweisungen.
- Die für den Einsatzbereich des Gerätes geltenden örtlichen Unfallverhütungsvorschriften und allgemeinen Sicherheitsbestimmungen einhalten.
- Die Betriebsanleitung ist Produktbestandteil und muss in unmittelbarer Nähe des Gerätes für das Fachpersonal jederzeit zugänglich aufbewahrt werden.
- Das Fachpersonal muss die Betriebsanleitung vor Beginn aller Arbeiten sorgfältig durchgelesen und verstanden haben.
- Die Haftung des Herstellers erlischt bei Schäden durch bestimmungswidrige Verwendung, Nichtbeachten dieser Betriebsanleitung, Einsatz ungenügend qualifizierten Fachpersonals sowie eigenmächtiger Veränderung am Gerät.
- Es gelten die allgemeinen Geschäftsbedingungen in den Verkaufsunterlagen.
- DH-Budenberg/WIKA behält sich das Recht vor, die Inhalte oder die Form von dieser Betriebsanleitung jederzeit ohne vorherige Ankündigung zu ändern.
- Technische Änderungen vorbehalten.
- Weitere Informationen:  
**DH-Budenberg**  
A division of WIKA Instruments Ltd.
  - Internet-Adresse: [www.wika.de](http://www.wika.de) / [www.wika.com](http://www.wika.com)
  - zugehöriges Datenblatt: CT 31.06
  - Anwendungsberater: Tel.: +44 844 4060086  
Fax: +44 844 4060087  
[sales@dh-budenberg.co.uk](mailto:sales@dh-budenberg.co.uk)

14076968.02 02/2015 EN/DE

# 1. Allgemeines / 2. Sicherheit

## WIKA Alexander Wiegand SE & Co. KG

- Internet-Adresse: [www.wika.de](http://www.wika.de) / [www.wika.com](http://www.wika.com)  
- zugehöriges Datenblatt: CT 31.06  
- Anwendungsberater: Tel.: +49 9372/132-0  
Fax: +49 9372/132-406  
[info@wika.com](mailto:info@wika.com)

DE

## Symbolerklärung



### WARNUNG!

... weist auf eine möglicherweise gefährliche Situation hin, die zum Tod oder zu schweren Verletzungen führen kann, wenn sie nicht gemieden wird.



### VORSICHT!

... weist auf eine möglicherweise gefährliche Situation hin, die zu geringfügigen oder leichten Verletzungen bzw. Sach- und Umweltschäden führen kann, wenn sie nicht gemieden wird.



### Information

... hebt nützliche Tipps und Empfehlungen sowie Informationen für einen effizienten und störungsfreien Betrieb hervor.

## 2. Sicherheit



### WARNUNG!

Vor Montage, Inbetriebnahme und Betrieb sicherstellen, dass die richtige hydraulische Vergleichsprüfpumpe hinsichtlich Druckbereich, Ausführung und spezifischen Messbedingungen ausgewählt wurde. Bei Nichtbeachten können schwere Körperverletzungen und/oder Sachschäden auftreten.



Weitere wichtige Sicherheitshinweise befinden sich in den einzelnen Kapiteln dieser Betriebsanleitung.

## 2. Sicherheit

### 2.1 Bestimmungsgemäße Verwendung

Vergleichsprüfpumpen dienen zur Druckerzeugung für die Überprüfung, Justage und Kalibrierung von mechanischen und elektronischen Druckmessgeräten durch Vergleichsmessungen. Diese Druckprüfungen können stationär in Labor, Werkstatt oder vor Ort an der Messstelle stattfinden.

DE

Die hydraulische Vergleichsprüfpumpe verfügt über zwei Anschlüsse für Prüfling und Referenzmessgerät, die in beliebiger Reihenfolge nutzbar sind. Schließt man das zu prüfende Gerät und ein hinreichend genaues Referenzmessgerät an der Prüfpumpe an, so wirkt bei Betätigung der Pumpe auf beiden Geräten der gleiche Druck. Durch Vergleich der beiden Messwerte bei beliebigen Druckwerten kann eine Überprüfung der Genauigkeit bzw. eine Justage des zu prüfenden Druckmessgerätes erfolgen.

Die integrierte Zweibereichsspindelpumpe ermöglicht ein schnelles Füllen des Prüfsystems und einen problemlosen Druckaufbau auf bis zu 1.200 bar. Gleichzeitig ermöglicht die präzise regulierbare Spindelpumpe auch eine Druckfeineinstellung.

Ein Bedienschema zur Druckerzeugung auf dem Gerätebasement erleichtert die schnelle und einfache Bedienung. Die Pumpe ist zudem durch die nur innerhalb des Pumpenkörpers laufende Drehspindel charakterisiert. Damit entfällt ein nachteiliges Biegemoment auf einer herausgedrehten Spindel und speziell für den Feldeinsatz besteht damit der Vorteil, dass sich die Abmessungen dieser Pumpe während des Betriebes durch das Drehen der Spindel nicht verändern.



Die Bezeichnung "Referenzmessgerät" in dieser Betriebsanleitung bezieht sich auf jedes Druckmessgerät wie: Manometer, elektrisches Druckmessgerät und Druckmessumformer mit elektrischem Ausgang. Das hydraulische Vergleichsprüfpumpensystem ist nur so genau wie das verwendete Referenzdruckmessgerät. Das Referenzdruckmessgerät sollte regelmäßig recalibriert werden, um sicherzustellen, dass seine Genauigkeit beibehalten wird.

Das Gerät ist ausschließlich für den hier beschriebenen bestimmungsgemäßen Verwendungszweck konzipiert und konstruiert und darf nur dementsprechend verwendet werden.

Die technischen Spezifikationen in dieser Betriebsanleitung sind einzuhalten. Eine unsachgemäße Handhabung oder ein Betreiben des Gerätes außerhalb der technischen Spezifikationen macht die sofortige Stilllegung und Überprüfung durch einen autorisierten WIKA-Servicemitarbeiter erforderlich.



Mechanische Präzisionsmessgeräte mit erforderlicher Sorgfalt behandeln (vor Nässe, Stößen, starken Magnetfeldern, statischer Elektrizität und extremen Temperaturen schützen, keine Gegenstände in das Gerät bzw. Öffnungen einführen).

Wird das Gerät von einer kalten in eine warme Umgebung transportiert, so kann durch Kondensatbildung eine Störung der Gerätefunktion eintreten. Vor einer erneuten Inbetriebnahme die Angleichung der Gerätetemperatur an die Raumtemperatur abwarten.

Ansprüche jeglicher Art aufgrund von nicht bestimmungsgemäßer Verwendung sind ausgeschlossen.

### 2.2 Personalqualifikation



#### **WARNUNG!**

#### **Verletzungsgefahr bei unzureichender Qualifikation!**

Unsachgemäßer Umgang kann zu erheblichen Personen- und Sachschäden führen.

- Die in dieser Betriebsanleitung beschriebenen Tätigkeiten nur durch Fachpersonal nachfolgend beschriebener Qualifikation durchführen lassen.
- Unqualifiziertes Personal von den Gefahrenbereichen fernhalten.

### **Fachpersonal**

Das Fachpersonal ist aufgrund seiner fachlichen Ausbildung, seiner Kenntnisse der Mess- und Regelungstechnik und seiner Erfahrungen sowie Kenntnis der landesspezifischen Vorschriften, geltenden Normen und Richtlinien in der Lage, die beschriebenen Arbeiten auszuführen und mögliche Gefahren selbstständig zu erkennen.

Spezielle Einsatzbedingungen verlangen weiteres entsprechendes Wissen, z. B. über aggressive Medien.

DH-Budenberg/WIKA bieten entsprechende Schulungen für den korrekten Einsatz unserer Produkte an. Für weitere Details kontaktieren Sie bitte unser Büro vor Ort.

### 2.3 Persönliche Schutzausrüstung

Die persönliche Schutzausrüstung dient dazu, das Fachpersonal gegen Gefahren zu schützen, die dessen Sicherheit oder Gesundheit bei der Arbeit beeinträchtigen könnten. Beim Ausführen der verschiedenen Arbeiten an und mit dem Gerät muss das Fachpersonal persönliche Schutzausrüstung tragen.

## 2. Sicherheit

### Im Arbeitsbereich angebrachte Hinweise zur persönlichen Schutzausrüstung befolgen!

Die erforderliche persönliche Schutzausrüstung muss vom Betreiber zur Verfügung gestellt werden.

DE



#### **Schutzbrille tragen!**

Schutz der Augen vor umherfliegenden Teilen und Flüssigkeitsspritzern.

### 2.4 Besondere Gefahren



#### **WARNUNG!**

**Für ein sicheres Arbeiten am Gerät muss der Betreiber sicherstellen,**

- dass eine entsprechende Erste-Hilfe-Ausrüstung vorhanden ist und bei Bedarf jederzeit Hilfe zur Stelle ist.
- dass das Bedienpersonal regelmäßig in allen zutreffenden Fragen von Arbeitssicherheit, Erste-Hilfe und Umweltschutz unterwiesen wird, sowie die Betriebsanleitung und insbesondere die darin enthaltenen Sicherheitshinweise kennt.



#### **WARNUNG!**

Messstoffreste an der hydraulischen Vergleichsprüfpumpe können zur Gefährdung von Personen, Umwelt und Einrichtung führen. Ausreichende Vorsichtsmaßnahmen ergreifen.

#### 2.4.1 Umgang mit Mineralölen

DH-Budenberg/WIKA liefert mineralisches Hydrauliköl in Behältern zu 500 ml, beschriftet mit „ISO VG 22“ zur Verwendung in Prüfpumpen mit bis zu 4.000 bar. Es ist nicht gefährlicher als andere Schmieröle.



Es ist ganz normal, dass man in der Art und Weise, in der dieses Produkt verwendet wird, häufig und/oder längere Zeit damit in Kontakt kommt; bei einigen Personen kann dies Hautreizungen hervorrufen (Keratosis oder Dermatitis). Die Verwendung von Barrierecremes und/oder Schutzhandschuhe kann diese Gefahr größtenteils ausschließen.

14076968.02 02/2015 EN/DE

## 2. Sicherheit

### Beschreibung

Flammpunkt (geschlossen)	höher als 120 °C
Lagerung	nicht über 30 °C
LD50-Wert, oral	15 g pro Kilogramm Körpergewicht
Grenzwert	5 mg/m <sup>3</sup>
Feuerlöschende Mittel	CO <sub>2</sub> /Trockenlöschmittel oder Wasserdampf
Bei Verschütten	Mit Binde- oder Absorptionsmittel aufsaugen
Entsorgung	An geeigneten Plätzen verbrennen oder entsorgen

DE

### Behandlung von Notfällen

Verschlucken	Nicht zum Erbrechen bringen. 250 ml Milch oder Olivenöl verabreichen. Die größte Gefahr nach dem Verschlucken ist, dass die Flüssigkeit in die Lunge gelangt.
Aspiration in die Lunge	Sofort ins Krankenhaus
Einatmen	Für Frischluft sorgen, falls die Übelkeit anhält, einen Arzt aufsuchen.
Augenkontakt	Mit reichlich Wasser mindestens 10 Minuten ausspülen. Tritt eine Augenreizung auf und hält diese Reizung an, Augenarzt aufsuchen.
Hautkontakt	Im Fall eines Hautausschlags oder anderen Auffälligkeiten nach einem längeren oder wiederholten Kontakt sollte umgehend ein Arzt aufgesucht werden.

#### 2.4.2 Andere Flüssigkeiten

Für einige besondere Anwendungen, liefern wir speziell hergestellte Flüssigkeiten. Kopien der Herstellerdaten werden den Benutzern auf Anfrage zugesandt.






Wenn die hydraulische Vergleichsprüfpumpe mit dem Medium Wasser für Drücke größer 700 bar verwendet wird, ist es empfehlenswert ein Gemisch aus 90 % Wasser und 10 % Glycerin (Volumenbezogen) zu verwenden.

## 2. Sicherheit

### 2.5 Beschilderung, Sicherheitskennzeichnungen

#### Typenschild

DE

**DH-Budenberg**   

**Vergleichsprüfpumpe/Comparison test pump CPP1200-X**

<b>SERIAL No</b>	<b>CPP1200-X/123456</b>	←	Serien-Nr.
<b>Max PRESSURE</b>	<b>1200 bar</b>	←	Druckbereich
<b>MANUFACTURED</b>	<b>06/2013</b>	←	Herstellungsdatum
<b>PRESSURE MEDIUM</b>	<b>OIL</b>	←	Druckmedium

DH-Budenberg  
10 Huntsman Drive, Irlam, Manchester, M44 5AY, U.K.  
www.wika.com

**WIKA**

Symbolerklärung siehe unten

#### Symbolerklärung



Vor Montage und Inbetriebnahme des Gerätes unbedingt die Betriebsanleitung lesen!



#### CE, Communauté Européenne

Geräte mit dieser Kennzeichnung stimmen überein mit den zutreffenden europäischen Richtlinien.

## 3. Technische Daten

### 3. Technische Daten

Technische Daten	Typ CPP1200-X
Druckbereich	0 ... 1.200 bar
Druckübertragungsmedium	Hydraulikflüssigkeiten auf Mineralölbasis/sauberes kalkfreies Wasser <sup>1)</sup>
Vorratsbehälter	170 cm <sup>3</sup>
<b>Druckanschlüsse</b>	
Prüflingsanschluss	2 x Innengewinde G ½, freilaufende Überwurfmutter
Abstand zwischen den Prüfanschlüssen	290 mm
<b>Kolben der Spindelpumpe</b>	
Kolbendurchmesser, Niederdruckkolben	31,2 mm
Kolbendurchmesser, Hochdruckkolben	12,7 mm
Hubvolumen	ca. 10 cm <sup>3</sup>
<b>Werkstoff</b>	
Messstoffberührte Bauteile	Austenitischer CrNi-Stahl, hochfestes Messing, Nitrilkautschuk
<b>Zulässige Umgebungsbedingungen</b>	
Betriebstemperatur	0 ... 40 °C
<b>Gerätebasement</b>	
Abmessungen	401 x 397 x 155 mm (B x T x H), Details siehe technische Zeichnung
Gewicht	13,5 kg

1) Andere Druckübertragungsmedien auf Anfrage.

### Aufbewahrungskoffer (Option)

Material	Holz
Abmessungen	664 x 614 x 380 mm (B x T x H)
Gewicht	8,5 kg

DE

### 3. Technische Daten

#### CE-Konformität

Druckgeräterichtlinie	97/23/EG (PS > 1.000 bar; Modul A, druckhaltendes Ausrüstungsteil)
-----------------------	--

DE

Zulassungen und Zertifikate siehe Internetseite

Weitere technische Daten siehe WIKA-Datenblatt CT 91.08 und Bestellunterlagen.

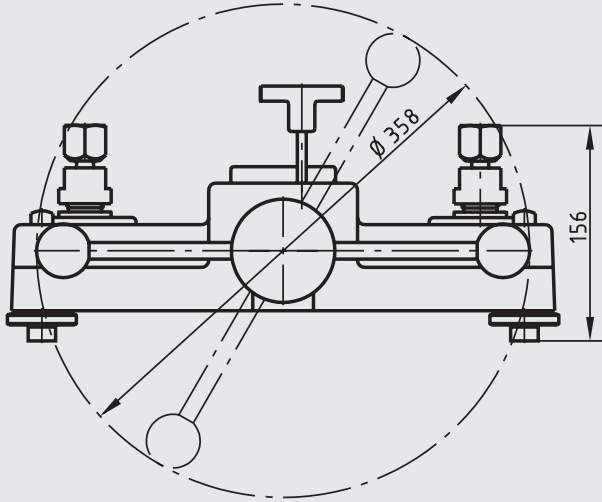
#### Transportmaße

Die hydraulische Vergleichsprüfpumpe in Standardausführung und Standardlieferungsumfang wird in einem Packstück mit den Abmessungen 590 x 490 x 380 mm geliefert. Das Gewicht beträgt 18 kg netto / 22 kg brutto.

### 3. Technische Daten

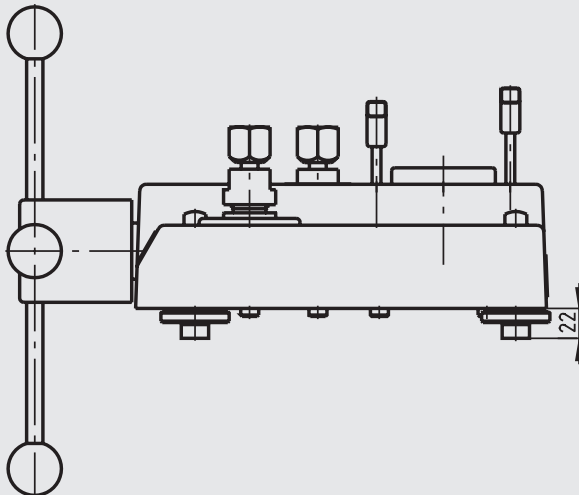
#### Abmessungen in mm

Ansicht von vorne



DE

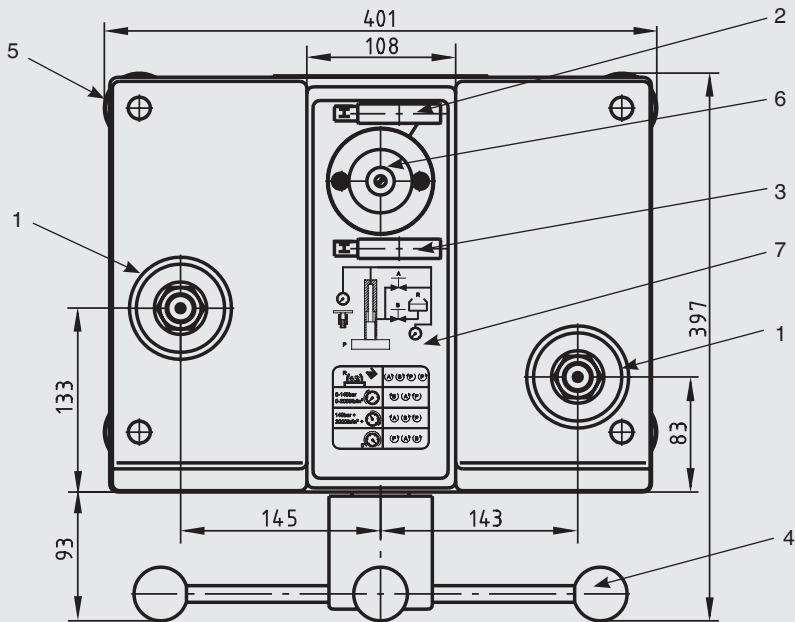
Ansicht von der Seite



14076968.02 02/20 15 EN/DE

### 3. Technische Daten

Ansicht von oben

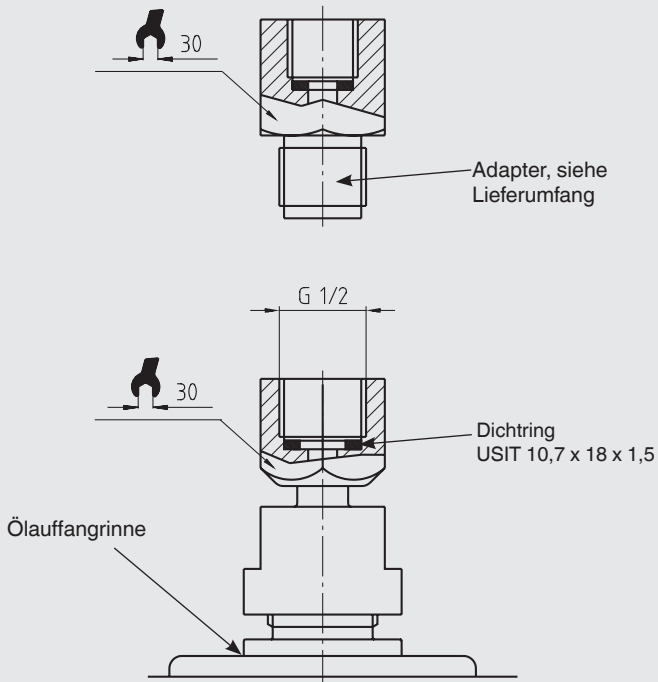


DE

- (1) Prüfanschluss
- (2) Hochdruckabsperrentil
- (3) Niederdruckabsperrentil
- (4) Zweibereichsspindelpumpe mit Drehkreuz
- (5) Drehbare FüÙe
- (6) Vorratsbehälter mit Verschlussstopfen
- (7) Bedienschema Druckerzeugung



#### Prüfanschluss



DE



Bei Verwendung von Gewindeadaptern ist zunächst der Gewindeadapter druckdicht mit dem Prüfling zu verbinden. Anschließend kann der Prüfling mit montiertem Adapter in den Prüfanschluss eingesetzt und orientiert werden.

### 3. Technische Daten

#### Verwendete Flüssigkeiten

Mineralisches Hydrauliköl mit einer Viskosität von 20 ... 37 cSt bei 40 °C, Viskositätsgrad VG20 bis VG37 gemäß ISO 3448 (BS 4231) wird für die hydraulische Vergleichsprüfpumpe Typ CPP1200-X verwendet. Die meisten Kunden können sich vor Ort geeignetes Öl (siehe unten) beschaffen, das auch in Hydraulikanlagen verwendet wird. Wir können unseren Kunden jedoch auch einen 500-ml-Kanister Öl mit dem Viskositätsgrad VG22 liefern.

DE

#### Geeignete Öle für Prüfpumpen

Folgende, im Handel erhältliche Öle sind für die Verwendung in Prüfpumpen geeignet.

Viskositätsgrad nach ISO 3448	Viskositätsklasse nach SAE	Shell	Esso	Mobil
VG22	--	Tellus 22 Tellus R22	Nuto H22	DTE 22
VG32	10W	Tellus V32 DTE 24	Nuto H32	DTE Oil Light
VG37	--	Tellus 37 Tellus R37 Tellus T37 Tellus V37	--	--

#### Andere Flüssigkeiten

Die hydraulische Vergleichsprüfpumpe Typ CPP1200-X ist für die Verwendung von mineralischen Ölen ausgelegt. Sollte ein Betreiber eine andere Flüssigkeit verwenden, hat er dafür zu sorgen, dass sich diese Flüssigkeit mit hochfestem Messing, CrNi-Stahl und Nitrilkautschuk verträgt, da dies die Materialien sind, mit der die Flüssigkeit in Kontakt kommt.



Flüssigkeiten, die ABS angreifen, mit Vorsicht verwenden. Kontinuierliches Eintauchen der Gehäuseabdeckung in solche Flüssigkeiten führt zu Beschädigungen. Verschüttete Flüssigkeit sofort wegwischen!



#### Schutzbrille tragen!

Schutz der Augen vor umherfliegenden Teilen und Flüssigkeitsspritzern.

### 4. Aufbau und Funktion

#### 4.1 Beschreibung

Die hydraulische Vergleichsprüfpumpe Typ CPP1200-X bietet die optimalen Eigenschaften für eine Verwendung im Labor, sowie auch die notwendige Robustheit für industrielle Anforderungen. Sie eignet sich zur Druckerzeugung bis 1.200 bar.

Prüfling und Referenzmessgerät werden an die beiden Prüfanschlüsse angeschlossen.

#### 4.2 Lieferumfang

- Gerätebasement
- Zweibereichsspindelpumpe zum Füllen, Druckaufbau und Druckfeineinstellung
- 2 Prüfanschlüsse mit Innengewinde G ½, freilaufende Überwurfmutter
- Adapterset für Prüflingsanschluss auswählbar aus 3 verschiedenen Sets:
  - Adapterset „BSP“ G ½ außen auf G ⅛, G ¼, G ⅜ und G ½ innen
  - Adapterset „NPT“ G ½ außen auf ⅛ NPT, ¼ NPT, ⅜ NPT und ½ NPT innen
  - Adapterset „metrisch“ G ½ außen auf M12 x 1,5 und M20 x 1,5 innen
- Mineralöl VG22 (0,5 Liter)
- Werkzeug- und Wartungsset bestehend aus:
  - 1 Sechskantschlüssel mit Schlüsselweite 3 mm
  - 2 x 30-mm-Gabelschlüssel
  - 1 Wasserwaage
  - 4 Ausrichtungsplatten
  - 1 Satz Dichtungsringe
  - 1 Zeigeraufschlagstempel
  - 1 Zeigerabheber
  - 1 Prüflingsanschlussstück
- Betriebsanleitung in deutscher und englischer Sprache

Lieferumfang mit dem Lieferschein abgleichen.

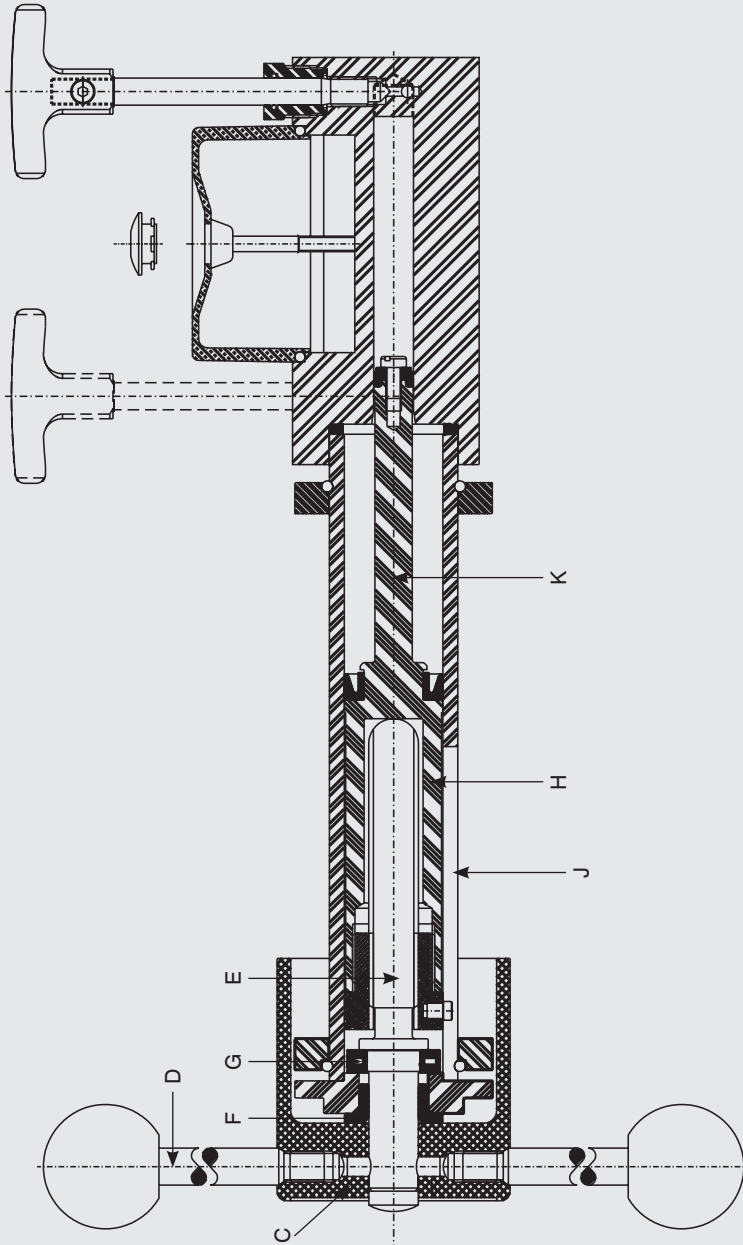
#### 4.3 Basement

Das Basement der CPP1200-X besteht aus einer massiven Grundplatte aus Aluminium, die aus vier höhenverstellbaren Füßen, einer Spindelpumpe, einem Vorratsbehälter, Stellventilen und Verrohrung zu zwei CrNi-Stahl-Druckanschlussblöcken besteht. Die Verrohrung und die oben genannten Baugruppen sind mit einer ABS-Abdeckung versehen, die leicht zu reinigen ist.

Die Kennzeichnungsnummern der Bauteile in Klammern beziehen sich auf die nachfolgende Skizze.

## Schnitt durch die Spindelpumpe

DE



14076968.02 02/2015 EN/DE

### 4.3.1 Spindelpumpe

Die Spindelpumpe ist an den Vorratsbehälter/Hochdruck-Zylinderblock geschraubt, der am Basement befestigt ist. Die nachfolgende Skizze zeigt einen Schnitt durch die Pumpe. Das über die Griffstücke (**D**) bedienbare Handrad (**C**) ist an der Gewindespindel (**E**) angebracht. Die Spindel (**E**) ist in einem Sinterlager gelagert (**F**).

Wird die Spindel gedreht, treibt sie einen nicht drehenden Druckkolben (**H** und **K**) vorwärts, die Schubkraft wird durch ein Nadel-Axialkugellager (**G**) aufgenommen. Der große Durchmesser des Kolbens (**H**) im Pumpenzylinder (**J**) dient zum Vorfüllen des Drucksystems und erzeugt einen Vordruck auf bis zu etwa 140 bar (2.000 lb/in<sup>2</sup>). Der kleine Durchmesser des Kolbens (**K**) im Hochdruck-Zylinderblock liefert die höheren Testdrücke von bis zu 1.200 bar (16.000 lb/in<sup>2</sup>).

### 4.3.2 Vorratsbehälter

Ein Flüssigkeitsbehälter ist oben auf dem Hochdruck-Zylinderblock angebracht. Zur Überwachung des Füllstands ist der Vorratsbehälter mit einem transparenten Deckel ausgestattet. Über eine mit einem Stopfen verschlossene Öffnung in der Mitte des Deckels kann der Behälter befüllt oder aufgefüllt werden (der Stopfen wird während des Betriebs der Prüfpumpe entfernt). Der Vorratsbehälter enthält genügend Flüssigkeit (ca. 150 cm<sup>3</sup>) um den normalen Betrieb der Prüfpumpe beim Kalibrieren durchzuführen. Verdrängungsvolumen des Niederdruckkolbens = 60 cm<sup>3</sup>  
Verdrängungsvolumen des Hochdruckkolbens = 10 cm<sup>3</sup>

### 4.3.3 Stellventile

Oben auf dem Vorratsbehälter/Hochdruck-Zylinderblock sind zwei Stellventile angebracht. Die Mechanismen der Stellventile sind in den Vorratsbehälter/Hochdruck-Zylinderblock eingebaut und regeln den Durchfluss der Flüssigkeit durch die inneren Bohrungen im Vorratsbehälter/Hochdruck-Zylinderblock. Das hintere Ventil wird mit Ventil **A** bezeichnet und dient zur Ausgangsregelung des Hochdruckkolbens der Spindelpumpe. Das vordere Ventil wird mit Ventil **B** bezeichnet und dient zur Regelung des Durchflusses zu und vom Vorratsbehälter.

### 4.3.4 Anschlussblöcke

Die Versorgungsdruckleitungen von der Spindelpumpe sind mit zwei Druckanschlüssen am Basement verbunden. Die Gewinde der Druckanschlüsse ragen aus der Abdeckplatte des Basements hervor. An diese Gewindeanschlüsse können die mitgelieferten Prüfanschlüsse angeschraubt werden; es ist auch möglich mittels Gewintheadaptoren die verschiedenen Größen von Messgeräteanschlüssen daran anzuschließen. In der Abdeckung des Gerätes sind um die Gewindeanschlüsse der Anschlussblöcke Ölaufangwannen angebracht, um auslaufendes Öl während des Anschließens und Entfernens der Messgeräte vom Prüfanschluss aufzufangen.

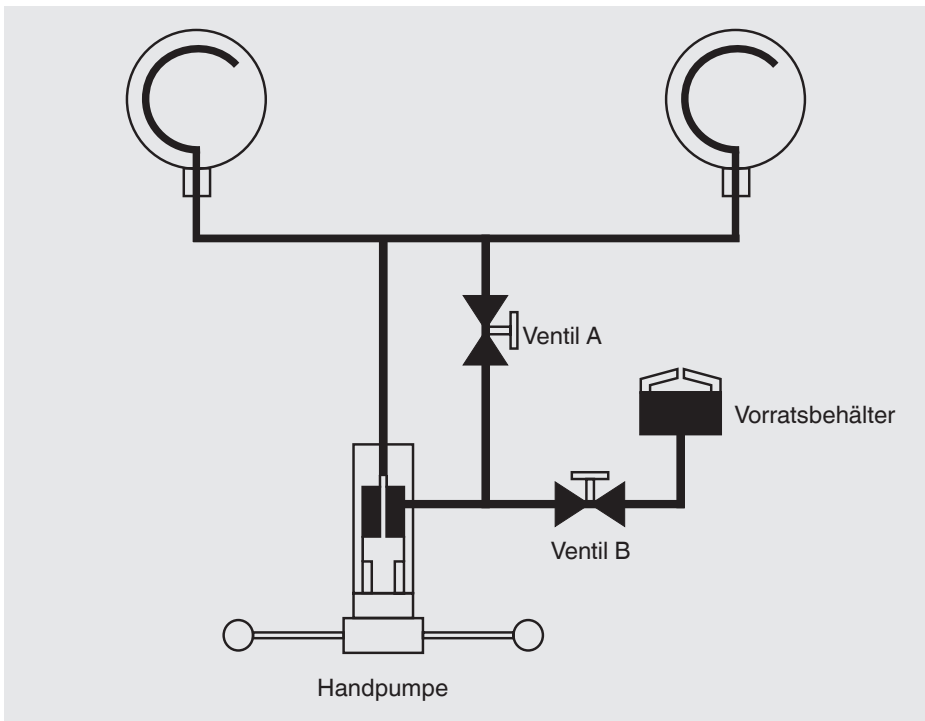
## 4. Aufbau und Funktion

### 4.4 Funktionen

Die Bedienung der hydraulischen Vergleichsprüfpumpe wird durch die beiden Ventile **A** und **B** auf dem Vorratsbehälter/Hochdruck-Zylinderblock geregelt. Wird das System vorgefüllt, werden die Ventile **A** und **B** geöffnet, um das System mit Öl aus dem Vorratsbehälter zu füllen. Um niedrige Prüfdrücke zu erzeugen wird Ventil **B** geschlossen, während das Ventil **A** offen bleibt und die Spindelpumpe betätigt wird.

DE

Um höhere Drücke zu erzeugen, wird Ventil **A** geschlossen, um den Prüfkreis gegen den Niederdruckbereich der Spindelpumpe abzudichten; Ventil **B** wird geöffnet, damit die Flüssigkeit im Niederdruckbereich der Spindelpumpe in den Vorratsbehälter zurückfließen kann, sobald die Pumpe betätigt wird. Dies stellt sicher, dass die Pumpe betätigt werden kann, ohne dass große Kräfte auf das Handrad der Spindelpumpe gebracht werden müssen. Um den Prüfdruck zu entspannen, wird die Spindelpumpe zurückgedreht und das Ventil **A** geöffnet.



14076968.02 02/2015 EN/DE

### 5. Transport, Verpackung und Lagerung

#### 5.1 Transport

Die hydraulische Vergleichsprüfpumpe Typ CPP1200-X auf eventuell vorhandene Transportschäden untersuchen.

Offensichtliche Schäden unverzüglich mitteilen.

#### 5.2 Verpackung

Verpackung erst unmittelbar vor der Montage entfernen.

Die Verpackung aufbewahren, denn diese bietet bei einem Transport einen optimalen Schutz (z. B. wechselnder Einbauort, Reparatursendung usw.).

#### 5.3 Lagerung

##### Zulässige Bedingungen am Lagerort:

- Lagertemperatur: -10 ... +50 °C
- Feuchtigkeit: 35 ... 85 % relative Feuchte

##### Folgende Einflüsse vermeiden:

- Direktes Sonnenlicht oder Nähe zu heißen Gegenständen
- Mechanische Vibration, mechanischer Schock (hartes Aufstellen)
- Ruß, Dampf, Staub und korrosive Gase
- Explosionsgefährdete Umgebung, entzündliche Atmosphären
- Korrosiven Flüssigkeiten

Die hydraulische Vergleichsprüfpumpe Typ CPP1200-X in der Originalverpackung an einem Ort lagern, der die oben gelisteten Bedingungen erfüllt. Wenn die Originalverpackung nicht vorhanden ist, dann das Gerät wie folgt verpacken und lagern:

1. Das Gerät in eine antistatische Plastikfolie einhüllen.
2. Das Gerät mit dem Dämmmaterial in der Verpackung platzieren.
3. Bei längerer Einlagerung (mehr als 30 Tage) einen Beutel mit Trocknungsmittel der Verpackung beilegen.

### 6. Inbetriebnahme, Betrieb

#### 6.1 Auspacken der hydraulischen Vergleichsprüfpumpe

Öffnen Sie die Verpackung der hydraulische Vergleichsprüfpumpe baldmöglichst nach der Lieferung und prüfen Sie, ob Sie alle in der Packliste (siehe Kapitel 4.2 „Lieferumfang“) angegebenen Teile erhalten haben.

DE

Prüfen Sie die Teile beim Auspacken auf Transportschäden. Sollten Teile fehlen, wenden Sie sich sofort an DH-Budenberg/WIKA.

#### 6.2 Umgebungsbedingungen

Wird die hydraulische Vergleichsprüfpumpe nicht in einem temperierten Labor aufgestellt, sollte der Aufstellort so weit als möglich folgenden Kriterien entsprechen:

- Räumlichkeit mit konstanter Temperatur ohne Zugluft und Hitze- oder Kältequellen
- Räumlichkeit ohne Lärm und Vibrationen oder häufig benutzter Durchgangsweg
- Saubere, trockene Räumlichkeiten, frei von korrosiven Flüssigkeiten oder Dämpfen

Ein starker, stabiler und ebener Tisch oder Werkbank mit entsprechender Tragfähigkeit und dem benötigten Freiraum für die Bedienung des Systems ist erforderlich.

#### 6.3 Aufstellen des Basements

##### Befestigen des Basements an der Werkbank

Das Basement sollte auf eine feste, ebene Fläche (Tisch oder Werkbank) mit etwa 0,9 m Höhe montiert werden. Die Mittellinie der vorderen Stellfüße der Einheit sollten ca. 40 mm von der Vorderkante der Werkbank entfernt sein, um einen entsprechenden Freiraum für das Handrad sicherzustellen.

1. Die Position der Stellfüße der Einheit auf der Oberfläche der Werkbank markieren.
2. Eine ebene Platte auf den jeweiligen Mittelpunkt der Stellfüße der Einheit auflegen und die Platte an die Werkbank festschrauben, um die Steifigkeit der hydraulische Vergleichsprüfpumpe sicherzustellen.
3. Das Basement auf die Werkbank stellen und darauf achten, dass die Stellfüße auf den ebenen Platten stehen und die Welle des Handrads über die Vorderkante der Werkbank hinausragt.
4. Die vier Handradgriffe in das Drehkreuz schrauben.
5. Durch Verstellen der vier Rändelschrauben an den Stellfüßen die Prüfpumpe mit der mitgelieferten Wasserwaage ausrichten.



### 6.4 Zusammenbau

#### 6.4.1 Anschluss des Prüflings und des Referenzmessgerätes

Das zu überprüfende Gerät und das Referenzmessgerät werden in die beiden Prüfanschlüsse eingesetzt und können orientiert werden. Die Reihenfolge spielt hierbei keine Rolle.



Um Geräte mit rückseitigem Anschluss zu kalibrieren, ist als Zubehör ein Winkelanschlussstück erhältlich.



#### **WARNUNG!**

Die Dichtungen in den Prüfanschlüssen auf richtigen Sitz und Verschleiß überprüfen. Gegebenenfalls austauschen.

Es ist darauf zu achten, dass jedes Gerät, das angeschlossen wird, im Inneren sauber ist.



Standardmäßig besitzen die Prüfanschlüsse ein G ½ Innengewinde.

Bei Kalibrierung von Geräten mit anderen Anschlussgewinden, können die entsprechenden Gewindeadapter verwendet werden (siehe Kapitel 10 „Zubehör“).



Bei Verwendung von Gewindeadaptern ist zunächst der Gewindeadapter druckdicht mit dem Prüfling zu verbinden.

Anschließend kann der Prüfling mit montiertem Adapter in den Prüfanschluss eingesetzt und orientiert werden.

#### 6.4.2 Befüllen des Basements mit Flüssigkeit

1. Die Verschlusschraube vom Vorratsbehälter und den Stopfen entfernen (während des Betriebs Stopfen nicht aufsetzen).
2. Die Ventile **A** und **B** öffnen.
3. Das Handrad der Spindelpumpe komplett nach rechts drehen.
4. Den Vorratsbehälter mit einer geeigneten Flüssigkeit befüllen. Das gelieferte Öl oder ein zugelassenes Ersatzöl für Hydraulikanlagen verwenden. Keine anderen Flüssigkeiten verwenden. Kastoröle, Skydrol, Lösungsmittel oder ähnliche Flüssigkeiten greifen die Dichtungen in der Prüfpumpe an.

## 6. Inbetriebnahme, Betrieb

5. Das Handrad der Spindelpumpe komplett nach links drehen.
6. Vorratsbehälter auffüllen, falls nötig.

DE



### **Schutzbrille tragen!**

Schutz der Augen vor umherfliegenden Teilen und Flüssigkeitsspritzern.

### 6.4.3 Prüfung nach dem Zusammenbau

1. Eine Testkalibrierung eines bekannten Prüflings (siehe Kapitel 6.6 "Vorgehensweise") durchführen, um sicher zu gehen, dass die Einheit korrekt funktioniert.
2. Druck entspannen und Prüfling entfernen.



Um das Messgerät vom System zu lösen, nur für den oberen Bereich des Druckanschlusses und am Grundkörper des Messgerätes, Schraubenschlüssel der geeigneten Größe verwenden. Sicherstellen, dass der untere Teil des Druckanschlusses nicht gedreht wird, da dieser sich vom Basement lösen könnte.

3. Das System ist nun einsatzbereit.



Bei der Prüfung von Geräten mit großem Volumen, ist es möglich, dass die Kapazität der Spindelpumpe ( $65 \text{ cm}^3$ ) nicht ausreicht, um den gewünschten Druck zu erreichen. In diesem Fall das Gerät vor dem Anschluss an das System so weit als möglich mit Flüssigkeit befüllen, um das benötigte Verdrängungsvolumen zu reduzieren.

Schmutzige oder chemisch verunreinigte Prüflinge sollten vor der Montage gereinigt werden, da sie das System verschmutzen können.



### **Schutzbrille tragen!**

Schutz der Augen vor umherfliegenden Teilen und Flüssigkeitsspritzern.

### 6.5 Vorgehensweise

1. Das zu testende Gerät an einen Prüfanschluss montieren.
2. Das Referenzmessgerät an den anderen Prüfanschluss montieren.

## 6. Inbetriebnahme, Betrieb

### 6.5.1 Druckbeaufschlagung

#### Bei Drücken von bis zu 140 bar (2.000 lb/in<sup>2</sup>)

1. Ventil **B** schließen (Ventil **A** bleibt offen).
2. Das Handrad der Spindelpumpe im Uhrzeigersinn drehen. So wird ein Druck von bis zu ca. 140 bar oder 2.000 lb/in<sup>2</sup> erzeugt, wenn das Handrad eingedreht wird. Lässt sich das Handrad schwer drehen, bedeutet dies, dass der Grenzwert für diesen Bereich erreicht wurde.

DE

#### Bei Drücken über 140 bar (2.000 lb/in<sup>2</sup>)

1. Ventil **A** schließen und Ventil **B** öffnen.
2. Den Griff der Spindelpumpe weiter im Uhrzeigersinn drehen. So wird ein Druck von bis zu ca. 1.200 bar oder 16.000 lb/in<sup>2</sup> erzeugt.

### 6.5.2 Während der Kalibrierung

Über die Spindelpumpe im Uhrzeigersinn den Druck erhöhen bzw. die Feineinstellung vornehmen, um die einzelnen Kalibrierpunkte anzufahren.

Die Anzeige des zu prüfenden Druckmessgerätes kann an den einzelnen Kalibrierpunkten mit dem Referenzmessgerät verglichen werden.



Wenn im System noch geringe Luftbestandteile mitverdichtet werden, fällt der erzeugte Prüfdruck zunächst etwas ab und ist entsprechend nachzustellen.

Bei hohen Drücken ist mit einer größeren Wartezeit zu rechnen als bei kleineren Drücken, bis der Beharrungszustand erreicht ist.

### 6.6 Abschlussarbeiten

1. Nach Ende der Prüfung, das Handrad der Spindelpumpe gegen den Uhrzeigersinn drehen um den Druck zu entlasten.
2. Das Ventil **A** oder **B** zur Entlastung des Restdrucks öffnen.
3. Sicherstellen, dass beide Ventile **A** und **B** komplett geöffnet sind.
4. Das zu prüfende Gerät entfernen.

Das System ist nun bereit für eine neue Prüfung und ist komplett druckentlastet.

## 6. Inbetriebnahme, Betrieb

### 6.7 Reinigung der Messgeräte

Dieser Reinigungs-/Entfettungsprozess ist nur geeignet für Druckmessgeräte mit Bourdonfedern aus Phosphor, Bronze, Beryllium, Kupfer, Monel oder CrNi-Stahl in der Form eines „C“.

**DE** Es ist nicht ratsam, Druckmessgeräte mit Bourdonfedern aus Stahl zu entfetten, da bereits eine winzige Menge Rost Messungengenauigkeiten hervorrufen und zu einem vorzeitigen Ausfall der Feder führen kann.



#### **Schutzbrille tragen!**

Schutz der Augen vor umherfliegenden Teilen und Flüssigkeitsspritzern.

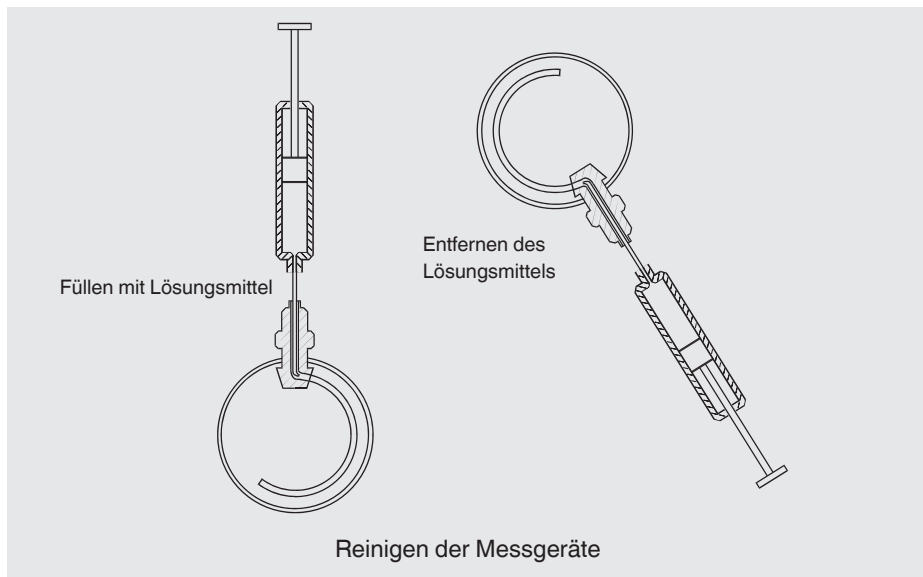
Diese Reinigungsmethode ist nicht geeignet für Druckmessgeräte, die mit gewundenen Bourdonfedern bestückt sind und auch nicht für Messgeräte, die mit Sauerstoff arbeiten, da die Funktion ohne Öl nicht sichergestellt ist. Wenden Sie sich bitte an DH-Budenberg/WIKA.

#### **Ausrüstung**

Diese besteht aus einer Spritze und einer speziellen Nadel, die um 90° gebogen ist.

#### **Anweisungen:**

1. Die Spritze mit Lösungsmittel befüllen (geeigneter Kaltreiniger zum Entfetten).
2. Das Messgerät mit dem Anschluss nach oben zeigend halten, die Nadel in den Anschluss schieben und diese vorsichtig in das Loch führen, das zur Rohrfeder führt.
3. Das Lösungsmittel injizieren. Idealerweise sollte das Rohr halb voll sein.
4. Das Messgerät hin und her schütteln, um das Lösungsmittel zu verteilen.
5. Das Lösungsmittel mit der Spritze wieder herausziehen und das Messgerät dabei schräg halten.
6. Prüfen, ob das Lösungsmittel schwebekörperfrei und rein ist. Um sicherzugehen, dass alles Öl entfernt wurde, den Reinigungsprozess wiederholen, bis das Lösungsmittel klar bleibt.



## 7. Wartung und Reinigung

### 7.1 Periodische Wartung

Reparaturen sind ausschließlich vom Hersteller durchzuführen.

Für die periodische Wartung ist nur die Reinigung der Einheit und die Prüfung der Füllstände nötig. Bei normaler Verwendung ist keine weitere Wartung nötig. Falls nötig kann das System zum Hersteller zur Wartung zurückgeschickt werden.



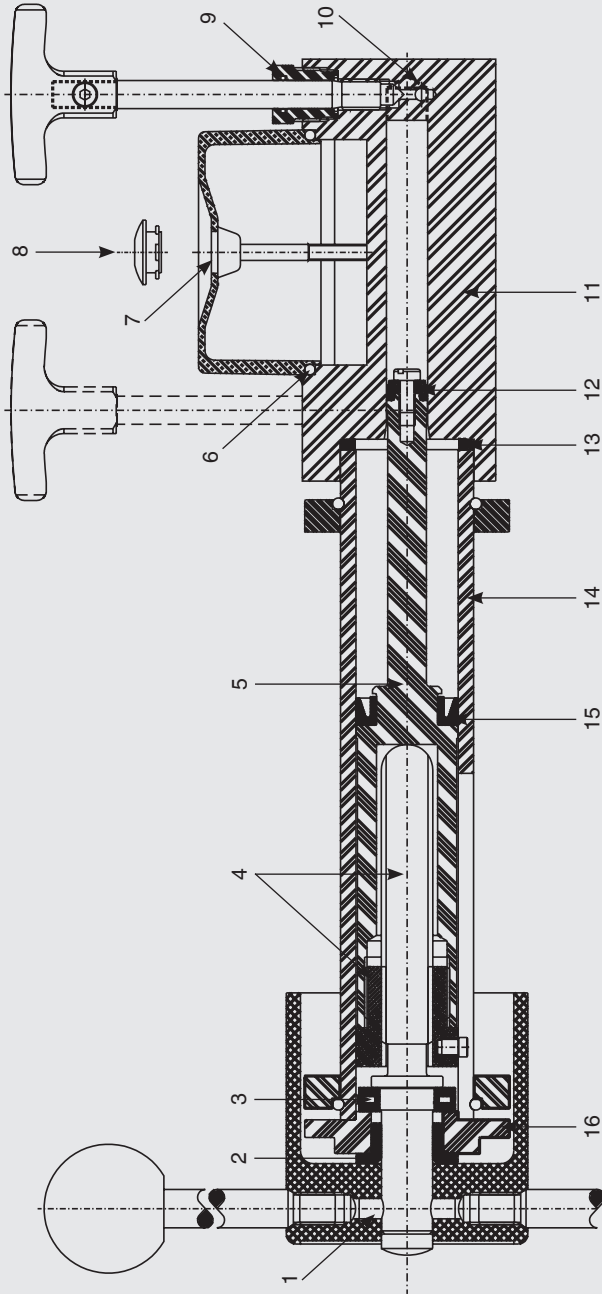
Flüssigkeiten, die ABS angreifen, sollten mit Vorsicht verwendet werden. Kontinuierliches Eintauchen der Gehäuseabdeckung in solche Flüssigkeiten führt zu Beschädigungen. Verschüttete Flüssigkeit sollte sofort weggewischt werden.

### 7.2 Instandhaltung

#### 7.2.1 Allgemein

Dieser Abschnitt enthält Einzelheiten zum Zerlegen der Einheit und zum Ersetzen der aufgelisteten Teile (siehe Kapitel 10. „Zubehör“). Die Kennzeichnungsnummern der Bauteile in Klammern beziehen sich auf die nachfolgende Skizze.

DE



## 7. Wartung und Reinigung

DE

### 7.2.2 Deckel abnehmen

1. So viel Öl wie möglich aus der Prüfpumpe ablassen und dabei mit einem in den Prüfanschluss eingeschraubten Ablauf die Spindelpumpe vollständig nach rechts drehen.
2. Ölwanne vorsichtig anheben und entfernen.
3. Stellschraube mit einem Sechskantschlüssel 3 mm lockern und beide Handräder entfernen.
4. Die vier Feststellschrauben vom Deckel entfernen und Deckel abnehmen.

### 7.2.3 Behälterdichtungen

1. Beide Schrauben lösen und Deckel des Vorratsbehälters abnehmen.
2. O-Ring **(6)** aus der Nut nehmen und die Seloc-Dichtung **(7)** von den Schrauben entfernen.
3. Beim Ersetzen prüfen, ob alle Dichtflächen absolut sauber sind und Schrauben nicht zu fest anziehen.

### 7.2.4 Ventildichtungen

1. Stopfbuchsenmutter lösen.
2. Ventilspindel lösen und Dichtung entfernen.
3. Stopfbuchsenmutter von der Spindel schieben.
4. O-Ring **(9)** unter Verwendung eines Hakenwerkzeugs aus der Bohrung der Stopfbuchsenmutter entfernen. O-Ring und Dichtung **(10)** ersetzen.
5. Beim Austauschen sicherstellen, dass der O-Ring korrekt in der Nut sitzt und alle Dichtflächen sauber sind. Spindel muss komplett gratfrei sein.

### 7.2.5 Spindelpumpe

1. Die sechs Innensechskantschrauben, die die Aufnahmeplatte des Drehkreuzes sichern, mit dem Sechskantschlüssel 4 mm lösen. (Diese befinden sich in der Nut im hinteren Teil des Aluminium-Drehkreuzes)
2. Durch vorsichtiges Herausziehen des Drehkreuzes kann nun die komplette Kolbenbaugruppe aus dem Zylinderrohr entfernt werden (dabei einen Behälter neben dem Zylinderrohr aufstellen, um Flüssigkeiten aufzufangen).

## 7. Wartung und Reinigung

DE

3. Kolben von der Drehkreuz-Baugruppe lösen.
4. Die Hochdruckdichtung **(12)** und die Niederdruckdichtung **(15)** können nun ausgetauscht werden. Vor dem Anbringen der neuen Dichtungen, sicherstellen, dass der Kolben an den entsprechenden Durchmessern nicht beschädigt ist.
5. An diesem Punkt sollte die Drehkreuz-Baugruppe auf ein zu großes Spiel überprüft werden, was ein Anzeichen für einen Verschleiß des Lagers oder der Schraubspindel und der Mutter ist. Falls Anzeichen von Verschleiß gefunden werden, muss die Drehkreuz-Baugruppe demontiert werden.
6. Bohrung der Blockbaugruppe **(11)** auf Beschädigungen und Korrosion prüfen. Ist ein Austausch erforderlich, wird dieses Teil komplett mit Ventilen geliefert. Der Block wird mit Innensechskantschrauben an das Basement geschraubt.
7. Der Zusammenbau erfolgt in umgekehrter Reihenfolge der beschriebenen Vorgehensweise.



Beim Zusammenbau muss darauf geachtet werden, dass der Kolben korrekt ausgerichtet wird, um ein Verbiegen oder eine Beschädigung der Dichtung zu vermeiden. Keine übermäßige Kraft aufwenden.

Die Innensechskantschrauben sind nicht gleichmäßig um die Flansche angeordnet, prüfen Sie daher die Ausrichtung der Schraubenlöcher bevor Sie die Schrauben einführen.

### 7.2.6 Drehkreuz-Baugruppe

1. Kolben von der Spindel lösen. **HINWEIS:** Linksgewinde.
2. Handgriffe vom Drehkreuz lösen.
3. Federbolzen **(1)**, der sich unten an einer Gewindebohrung für die Handgriffe befindet mit einem Stempel mit 6 mm Durchmesser aus dem Drehkreuz herausklopfen. Drehkreuz herausziehen.
4. Die Aufnahme des Drehkreuzes und das Axiallager können nun aus der Spindel entfernt werden.
5. Falls die Flanschbuchse **(2)** erneuert werden muss, muss sie aus der Aufnahmeplatte herausgepresst werden und die neue Buchse muss eingepresst werden.
6. Das Axiallager **(3)** muss als komplettes Bauteil ersetzt werden.



## 7. Wartung und Reinigung

DE

- Die Mutter, der Bolzen und die Spindelbaugruppe (**4**) können nur paarweise ersetzt werden. Mutter vom Kolben lösen, Kolben in einen Schraubstock spannen und neue Mutter einschrauben.
- Axiallager, Aufnahmeplatte und Drehkreuz an die Spindel montieren, mit Molybdändisulfidfett schmieren.
- Teile zusammenspannen um ein Spiel zu vermeiden und Federbolzen montieren. Bei Verwendung einer neuen Spindel, ein Loch von 6,3 mm Durchmesser bohren um den Federbolzen (**1**) zu montieren.
- Gewinde mit Molybdändisulfidfett schmieren und in Kolbenmutter schrauben.

### 7.3 Reinigung

#### Reinigung der Einheit und Prüfen der Füllstände

##### Verwendung mit Öl

Das System sauber und frei von verschüttetem Öl halten. Ölauffangwanne unter den Prüfanschlüssen reinigen. Kein lösungsmittelhaltiges Reinigungsmittel verwenden, da es die Dichtungen beschädigen könnte.

Sicherstellen, dass der Vorratsbehälter genügend Flüssigkeit enthält, um die erforderlichen Kalibrieraufgaben auszuführen. Vorratsbehälter mit derselben Flüssigkeit auffüllen, die bereits verwendet wird. Keine andere Art der Flüssigkeit oder eine andere Marke verwenden.

Wird das Öl in der Prüfpumpe schmutzig, Spindelpumpe verwenden, um sauberes Öl durch das Gerät zu spülen; dafür einen Ablauf in den Prüfanschluss schrauben. (Es kann ein Winkelanschlussstück verwendet werden). Vor dem Start sollte die Spindelpumpe komplett im Uhrzeigersinn eingedreht werden.



#### Schutzbrille tragen!

Schutz der Augen vor umherfliegenden Teilen und Flüssigkeitsspritzern.



Hinweise zur Rücksendung des Gerätes siehe Kapitel 9.1 „Rücksendung“.

## 8. Störungen

### 8. Störungen

DE

Störungen	Ursachen	Maßnahmen
System liefert keinen Ausgangsdruck.	Keine Flüssigkeit in der Prüfpumpe.	Prüfen, ob Prüfpumpe mit Flüssigkeit gefüllt ist. System wenn nötig mit Flüssigkeit füllen. Siehe Kapitel 6.5.1 „Befüllen des Systems mit Flüssigkeit“.
	Ventil B ist offen.	Ventil B schließen und noch einmal versuchen.
	Zu testendes Gerät hat ein großes Volumen.	Gerät vor dem Test mit Flüssigkeit füllen.
	Fehlende oder beschädigte Dichtungen aufgezeigt durch unerklärbare Leckage.	Dichtungen am System prüfen und sicherstellen, dass sie korrekt montiert und unbeschädigt sind. Ersetzen, falls nötig.
	Ventil B Handrad von Spindel gelöst.	Ventil B prüfen. Nut zur Sicherung des Handrads an der Spindel anziehen, falls nötig.
	Baugruppe Ventil B oder Ventilsitz beschädigt.	Zustand des Ventils B und des Ventilsitzes prüfen. Ventilbaugruppe ersetzen oder Prüfpumpe an DH-Budenberg/WIKA zur Überholung zurückschicken.
	Wenn die Ursache nicht gefunden werden kann.	Prüfpumpe an DH-Budenberg/WIKA zur Untersuchung zurückschicken.
System liefert Druck aber der Druck fällt auf Null ab.	Vorgehensweise nicht korrekt.	Sicherstellen, dass die korrekte Vorgehensweise angewandt wird (siehe Kapitel 6.6)
	Fehlende oder beschädigte Dichtungen aufgezeigt durch unerklärbare Leckage.	Dichtungen am System prüfen und sicherstellen, dass sie korrekt montiert und unbeschädigt sind. Ersetzen, falls nötig.
	Ventil A, Baugruppe Ventil B oder Ventilsitz beschädigt.	Zustand der Ventile A und B und des Ventilsitzes prüfen. Ventilbaugruppe ersetzen oder Prüfpumpe an DH-Budenberg/WIKA zur Überholung zurückschicken.
	Wenn die Ursache nicht gefunden werden kann.	Prüfpumpe an DH-Budenberg/WIKA zur Untersuchung zurückschicken.

14076968.02.02/2015 EN/DE

## 8. Störungen

DE

Störungen	Ursachen	Maßnahmen
System liefert Druck aber der Druck fällt ab, wenn die Ventile A und B betätigt werden.	Vorgehensweise nicht korrekt.	Sicherstellen, dass die korrekte Vorgehensweise angewandt wird (siehe Kapitel 6.6)
	Wenn die Ursache nicht gefunden werden kann.	Prüfpumpe an DH-Budenberg/WIKA zur Untersuchung zurückschicken.
System liefert Druck aber der Druck fällt auf einen niederen Wert ab und bleibt dann stabil.	Nicht genügend Flüssigkeit in der Prüfpumpe.	Füllstand im Vorratsbehälter prüfen. Vorratsbehälter mit der korrekten Flüssigkeit füllen (siehe Kapitel 6.5.1).
	Luft im System.	Zu prüfendes Bauteil mit entsprechender Flüssigkeit füllen. Falls nötig, Flüssigkeit in der Prüfpumpe nachfüllen.
	Wenn die Ursache nicht gefunden werden kann.	Prüfpumpe an DH-Budenberg/WIKA zur Untersuchung zurückschicken.
	Interne Beschädigung	Prüfpumpe an DH-Budenberg/WIKA zur Untersuchung zurückschicken.
	Vorgehensweise nicht korrekt.	Sicherstellen, dass die korrekte Vorgehensweise angewandt wird (siehe Kapitel 6.6)
	Wenn die Ursache nicht gefunden werden kann.	Prüfpumpe an DH-Budenberg/WIKA zur Untersuchung zurückschicken.
Spindelpumpe der Prüfpumpe ist schwergängig, sobald die Prüfpumpe im Bereich unter 140 bar (2.000 lb/in <sup>2</sup> ) verwendet wird.	Interne Beschädigung	Prüfpumpe an DH-Budenberg/WIKA zur Untersuchung zurückschicken.
Spindelpumpe der Prüfpumpe ist schwergängig, sobald die Prüfpumpe im Bereich über 140 bar (2.000 lb/in <sup>2</sup> ) verwendet wird.	Vorgehensweise nicht korrekt.	Sicherstellen, dass die korrekte Vorgehensweise angewandt wird (siehe Kapitel 6.6)
	Wenn die Ursache nicht gefunden werden kann.	Prüfpumpe an DH-Budenberg/WIKA zur Untersuchung zurückschicken.



### **VORSICHT!**

Können Störungen mit Hilfe der oben aufgeführten Maßnahmen nicht beseitigt werden, ist die Prüfpumpe unverzüglich außer Betrieb zu setzen, sicherzustellen, dass kein Druck mehr anliegt und gegen versehentliche Inbetriebnahme zu schützen.

In diesem Falle Kontakt mit dem Hersteller aufnehmen.

Bei notwendiger Rücksendung die Hinweise unter Kapitel 9.1 „Rücksendung“ beachten.

DE

## 9. Rücksendung und Entsorgung



### **WARNUNG!**

Messstoffreste an der hydraulischen Vergleichsprüfpumpe können zur Gefährdung von Personen, Umwelt und Einrichtung führen. Ausreichende Vorsichtsmaßnahmen ergreifen.

### 9.1 Rücksendung



### **WARNUNG!**

Beim Versand des Gerätes unbedingt beachten:

Alle an DH-Budenberg/WIKA gelieferten Geräte müssen frei von Gefahrstoffen (Säuren, Laugen, Lösungen, etc.) sein.

Zur Rücksendung des Gerätes die Originalverpackung oder eine geeignete Transportverpackung verwenden.

### **Um Schäden zu vermeiden:**

1. Gesamte Flüssigkeit aus dem Vorratsbehälter ablassen.
2. Das Gerät in eine antistatische Plastikfolie einhüllen.
3. Das Gerät mit dem Dämmmaterial in der Verpackung platzieren. Zu allen Seiten der Transportverpackung gleichmäßig dämmen.
4. Wenn möglich einen Beutel mit Trocknungsmittel der Verpackung beifügen.
5. Sendung als Transport eines hochempfindlichen Messgerätes kennzeichnen.



Hinweise zur Rücksendung befinden sich in der Rubrik „Service“ auf unserer lokalen Internetseite.

## 9. Rücksendung und Entsorgung / 10. Zubehör

### 9.2 Entsorgung

Durch falsche Entsorgung können Gefahren für die Umwelt entstehen. Gerätekomponten und Verpackungsmaterialien entsprechend den landesspezifischen Abfallbehandlungs- und Entsorgungsvorschriften umweltgerecht entsorgen.



Bei Geräten mit dieser Kennzeichnung wird darauf hingewiesen, dass diese nicht in den Hausmüll entsorgt werden dürfen. Die Entsorgung erfolgt durch Rücknahme bzw. durch entsprechende kommunale Stellen (siehe EU-Richtlinie 2002/96/EC).

DE

## 10. Zubehör

Bezeichnung/Ausführung	Bestell-Nr.
Aufbewahrungskoffer für CPP1200-X Gerätebasement	14031237
Adapterset „BSP“ für Prüflingsanschluss G ½ B außen auf G ⅛, G ¼, G ⅜ und G ½ innen	14031238
Adapterset „NPT“ für Prüflingsanschluss G ½ B außen auf ⅛ NPT, ¼ NPT, ⅜ NPT und ½ NPT innen	14031239
Adapterset „metrisch“ für Prüflingsanschluss G ½ B außen auf M12 x 1,5 und M20 x 1,5 innen	14031242
Adapter für Prüflingsanschluss, G ½ B außen auf M16 x 1,5 außen mit Dichtkonus, Mat.: CrNi-Stahl gehärtet	11580454
Prüflingsanschlussstück G ¾ innen auf G ½ innen, freilaufende Überwurfmutter	14031251
Winkelanschlussstück 90°, für Prüflinge mit rückseitigem Anschluss	1564838
Dichtungs- und Wartungssatz für Gerätebasement, Standardausführung	14031255
Hydraulikflüssigkeit auf Mineralölbasis VG22 in Kunststoffflasche, Inhalt 0,5 Liter	2099954
Werkzeugset bestehend aus Gabelschlüssel, BSP-Adapter, Ersatzdichtungen, Zeigerabhebevorrichtung und Zeigeraufschlagstempel	14031263



DE

## EG-Konformitätserklärung

## EC Declaration of Conformity

**Dokument Nr.:**

14089735.01

**Document No.:**

14089735.01

Wir erklären in alleiniger Verantwortung, dass die mit CE gekennzeichneten Produkte

We declare under our sole responsibility that the CE marked products

**Typ:**

CPP1200-X

**Model:**

CPP1200-X

**Beschreibung:**

Hydraulische Vergleichsprüfpumpe

**Description:**

Hydraulic comparison test pump

gemäß gültigem Datenblatt:

CT 91.08

according to the valid data sheet:

CT 91.08

die grundlegenden Schutzanforderungen der folgenden Richtlinie(n) erfüllen:

are in conformity with the essential protection requirements of the directive(s)

97/23/EG (DGRL) <sup>(1)</sup>

97/23/EC (PED) <sup>(1)</sup>

(1) PS > 1000 bar; Modul A, druckhaltendes Ausrüstungsteil

(1) PS > 1000 bar; Module A, pressure accessory

Unterszeichnet für und im Namen von / Signed for and on behalf of

**DH-Budenberg Ltd.**

Manchester, 2013-10-25

Alfred Häfner, Managing Director

Unterschrift, autorisiert durch das Unternehmen / Signature authorized by the company

DH-Budenberg Ltd.  
2 Gilchrist Road, Northbank Industrial Estate  
Irlam, Manchester M44 5 AY  
United Kingdom

Tel.: +44(0) 161 777 0  
Fax: +44(0) 161 777 0  
www.dh-budenberg.com

14076968.02.02/2015 EN/DE



WIKA subsidiaries worldwide can be found online at [www.wika.com](http://www.wika.com).  
WIKA-Niederlassungen weltweit finden Sie online unter [www.wika.de](http://www.wika.de).



**WIKAI Alexander Wiegand SE & Co. KG**

Alexander-Wiegand-Straße 30

63911 Klingenberg • Germany

Tel. +49 9372 132-0

Fax +49 9372 132-406

[info@wika.de](mailto:info@wika.de)

[www.wika.de](http://www.wika.de)