

Hand test pump

GB

手持式试压泵

CN

**CPP 700-H**

**CPP 1000-H**



Hand test pump CPP 1000-H

CPP 1000-H型手持式试压泵



**Information**

This symbol provides you with information, notes and tips.



**Warning!**

This symbol warns you against actions that can cause injury to people or damage to the instrument.

# Contents

<b>1. General</b>	<b>4</b>
1.1 General instructions	4
1.2 Safety instructions	5
<b>2. Product description</b>	<b>5</b>
<b>3. Mounting instructions</b>	<b>6</b>
<b>4. Operation (pressure)</b>	<b>7</b>
<b>5. Maintenance instructions</b>	<b>8</b>
<b>6. Cause of fault</b>	<b>8</b>
<b>7. Specifications</b>	<b>9</b>
<b>8. Order data / Accessories</b>	<b>10</b>
<b>9. Recommended reference instruments</b>	<b>11</b>
<b>10. Adresses</b>	<b>23</b>

## **1. General**

### **1.1 General instructions**

In the following chapters detailed information on the CPP 700-H and CPP 1000-H hand test pump and its proper use can be found.

Should you require further information, or should there be problems which are not dealt within detail in the operating instructions, please contact the address below:

#### **WIKA Alexander Wiegand SE & Co. KG**

Alexander Wiegand Strasse

D-63911 Klingenberg

Tel: +49-(0)9372/132-473

Fax: +49-(0)9372/132-8767

E-Mail: calibration@wika.de

The warranty period for the hand test pump is 24 months according to the general terms of supply of ZVEI.

The guarantee is void if the appliance is put to improper use or if the operating instructions are not observed or if an attempt is made to open the appliance or to release attachment parts.

We also point out that the content of these operating instructions neither forms part of an earlier or existing agreement, assurance or legal relationship nor is meant to change these. All obligations of WIKA Alexander Wiegand SE & Co. KG result from the respective sales contract and the general business terms of WIKA Alexander Wiegand SE & Co. KG.

WIKA is a registered trade mark of WIKA Alexander Wiegand SE & Co. KG.

Names of companies or products mentioned in this handbook are registered trade marks of the manufacturer.

The devices described in this manual represent the latest state of the art in terms of their design, dimension and materials. We reserve the right to make changes to or replace materials without any obligation to give immediate notification.

Duplication of this manual in whole or in part is prohibited.

## 1.2 Safety instructions



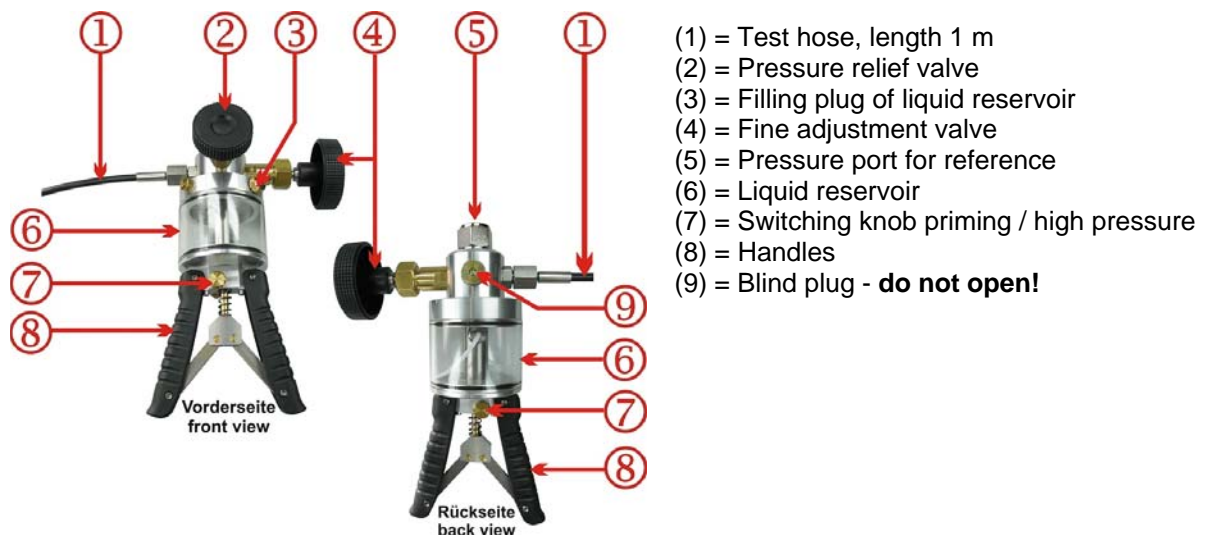
Read these operating instructions carefully prior to operating the hydraulic hand test pump CPP 700-H / CPP 1000-H. The pressure inside the pump can be extremely high. Ensure that all pressure connections have been established correctly.

## 2. Product description

The CPP 700-H and CPP 1000-H hand test pumps are used to generate pressure for checking, adjusting and calibrating mechanical and electronic pressure measuring instruments by comparative measurements. These pressure tests may be carried out in laboratories, workshops or on site at the measuring point.

If the instrument to be tested and a sufficiently accurate reference measuring instrument are connected up to the test pump, the same pressure is applied to the two measuring instruments when the pump is operated. By comparing the two measure valves at random pressure values, the accuracy can be verified or the instrument under test can be adjusted.

Despite their compact dimensions, the hand test pumps CPP 700-H and CPP 1000-H are easy to operate and allow for exact generation of the required test pressures. The pumps are fitted with a fine adjustment valve for the precise adjustment of pressures. The reference instrument is screwed directly on the top of the pump and the unit under test is connected by means of the pressure hose incorporating a 1/4" BSP female thread, contained in the scope of delivery.



### 3. Mounting instructions

- The reference instrument is fitted to the upper side of the hand test pump CPP 700-H or CPP 1000-H. The reference instrument is sealed by the integral O-ring sealing gasket. The maximum torque is 15 Nm.
- The unit under test is mounted to the end of the flexible test hose. Tighten to the connector to prevent any leaks to a maximum torque of 15 Nm.



**Never apply external pressure to the CPP 700-H and CPP 1000-H. Do not connect to external pressure sources.**

- As an accessory, several stainless steel sets of adapters are available to cover different thread dimensions of your test specimen.
- Tighten the optional adapters to a maximum torque of 15 Nm.



Tip: It is possible to connect the test specimen directly to the pump. After dismounting of the hose connector, there is a 1/4" BSP female thread at the side of the pump body.

- Open the filling plug (3) of the liquid reservoir (6) and fill with a suitable fluid: **mineral oil based hydraulic fluid or clean water, free of calcium-carbonate / scale.** (Not suitable for hydraulic oils based on water and distilled water.)
- Fill the liquid reservoir (6) not completely full

#### 4. Operation (pressure)

- Make sure, the CPP 700-H or CPP 1000-H is in priming position. If necessary, press the switching knob (7).



- Make sure that the release valve (2) is open.
- Turn the adjustment valve (4) counter-clockwise fully out (smooth “stop” can be felt)
- Turn the release valve (2) clockwise until the vent is closed.
- Operate the handles (8) for priming, until the handles (8) are just before they cannot be pressed fully together anymore, due to the generated priming pressure. Depending on the volume of the calibration circuit, this can be at app. 200 to 400 bar / 3000 to 6000 psi.
- Keep the handles (8) pressed together and operate the switch knob (7). The handles (8) are now in “high pressure” position.



NOTE: if the generated priming pressure is too high and - as a result - it is no longer possible to press the handles (8) fully together, please open the release valve (2) (turn counter-clockwise) and try it again.

- Operate the handles (8) until the required pressure is nearly achieved, but max. to app. 600 bar / 9000 psi. Higher pressure is made by turning the adjustment valve (4) clockwise.



NOTE: After increasing the pressure, the reading may slightly drop again for about 30 seconds, which is caused by thermodynamic effects, the tube connection and the sealing gaskets. If the pressure drop does not come to a standstill, check the measuring circuit for tightness.

- A pressure reduction is achieved by turning the fine adjustment valve (4) anticlockwise first and then by carefully opening the relief valve (2).



NOTE: For releasing the pressure please turn the release valve (2) only max. 1 revolution counter-clockwise. Afterwards close it again by turning clockwise.



**Remove the reference instrument or the test specimen only when the relief valve (2) is open and no pressure is in the test pump any more.**

## 5. Maintenance instructions

Prior to connecting the reference instrument and the test specimen, the sealing gasket in the two connectors should be checked for correct position and wear, and should be replaced, if and when necessary.

A service kit consisting of spare sealing gaskets and o-rings, is available as an accessory.



**It is only allowed to clean the liquid reservoir with water or mild detergents. By the use of alcohol, ethyl alcohol (spirit), acetone or benzol crack formations can arise in the material of the reservoir and the reservoir can be damaged.**

## 6. Cause of fault

- If the pressure cannot be generated correctly or if the set pressure does not stay stable, this is likely to be caused by the incorrectly positioned or selected sealing gaskets. Please also check whether any adapters used on the test specimen have been tightened sufficiently to eliminate leaks.
- Before assuming there is a leak in the hand test pump:  
First of all, check if the relief valve (2) is closed.
- If the test pump has not been used for a longer period of time, the first lift may be somewhat sluggish. This effect will disappear again during further operation.
- By no means apply any force to the operating elements of the hand test pump.



**Never connect an external pressure supply system to the CPP 700-H or CPP 1000-H hand test pump.**



## 7. Specifications

		CPP 700-H	CPP 1000-H
Pressure range	bar	0 ... 700	0 ... 1,000
	psi	0 ... 10,000	0 ... 14,500
Medium		Mineral oil based hydraulic fluid / clean water, free of calcium-carbonate / scale <sup>1)</sup>	Mineral oil based hydraulic fluid / clean water, free of calcium-carbonate / scale <sup>1)</sup>
Pressure connections			
- For reference instrument		G 1/2" female thread, rotating. This rotating nipple can be dismantled, then you get a G 3/8" female (fix) port.	G 1/2" female thread, rotating. This rotating nipple can be dismantled, then you get a G 3/8" female (fix) port.
- For test specimen		G 1/4" female thread at the test hose, length 1 meter, system Minimess <sup>®</sup> 1620	G 1/4" female thread, rotating at the high pressure test hose, length 1 meter
Fine adjustment:		Fine adjustment valve / volume variator	Fine adjustment valve / volume variator
Liquid reservoir	cm <sup>3</sup>	200	200
Material		anodized aluminum, brass, stainless steel, plastic	anodized aluminum, brass, stainless steel, plastic
Sealing gaskets		FKM and NBR (standard)	FKM and NBR (standard)
Dimensions	mm	280 (L) x 170 (W) x 120 (H)	280 (L) x 170 (W) x 120 (H)
Weight	kg	1.9	1.9
Standard accessories		test hose Minimess <sup>®</sup> , length 1 meter	high pressure test hose, length 1 meter

<sup>1)</sup> Other pressure transmitting media on request.

**8. Order data / Accessories**

Order data hand test pump	Order No.
Hand test pump CPP700-H, medium oil / clean water, free of calcium-carbonate / scale incl. test hose Minimess <sup>®</sup> , length 1 m, and coupling 1/4" BSP female	13001981
Hand test pump CPP1000-H, medium oil / clean water, free of calcium-carbonate / scale incl. high pressure test hose, length 1 m, with 1/4" BSP female thread, rotating	13001990

Order data accessories	Order No.
Plastic case with foams for CPP700-H or CPP1000-H dimensions in mm: (W/H/T) 440 x 370 x 140	13001965
Set of adapters and set of seals „BSP“ for test item connection G 1/4" male on G 1/8", G 3/8" and G 1/2" female	12139689
Set of adapters and set of seals „metric“ for test item connection G 1/4" male on M 12 x 1.5, M 20 x 1.5 and Minimess <sup>®</sup>	12140422
Set of adapters and set of seals „NPT“ for test item connection G 1/4" male on 1/8" NPT, 1/4" NPT, 3/8" NPT and 1/2" NPT female	12139701
Connection adapter G 1/4" male on G 1/2" female, material: stainless steel	0168483
Operating fluid for CPP1000 and CPP1600 test pump series in plastic bottle, content 1 litre	2099882
Service kit of sealing gaskets and O-rings for hand test pump CPP700-H and CPP1000-H	13001442
Replacement hose for CPP700-H, length 1 m	13001434
Replacement hose for CPP1000-H, length 1 m	13001400

## 9. Recommended reference instruments

### ■ Precision Digital Pressure Gauge Model CPG 1000

Measuring range: up to 700 bar  
Accuracy: 0.05 % of span  
Specifications according data sheet CT 10.01



### ■ Hand-Held Pressure Indicator Model CPH 6200

Measuring range: up to 1,000 bar  
Accuracy: 0.2 % of span  
Specifications according data sheet CT 11.01



### ■ Hand-Held Pressure Indicator Model CPH 6400

Measuring range: up to 4,000 bar  
Accuracy: 0.025 % of span or 0.1 % of reading  
Specifications according data sheet CT 14.01



### ■ ProcessCalibrator Model CPH 6000

Measuring range: up to 1,000 bar  
Accuracy: 0.025 % of span  
Specifications according data sheet CT 15.01



### Calibration software:

#### ■ Calibration software EasyCal

For inspection equipment monitoring incl. generation of calibration reports and archiving of calibration data  
Specifications according data sheet CT 95.01



CN



**提示**  
...提供信息、备注和实用窍门。



**警告！**  
...表示潜在危险情况，可能导致人身伤害或设备损坏。

# 目录

1. 概述 .....	14
1.1 简介 .....	14
1.2 安全说明 .....	15
2. 产品说明 .....	15
3. 安装说明 .....	16
4. 运行（压力） .....	17
5. 维护说明 .....	18
6. 故障处理 .....	18
7. 规格 .....	19
8. 订购参数 / 附件 .....	20
9. 推荐参考仪表 .....	21
10. 威卡 (WIKA) 全球 .....	23

## 1. 概述

### 1.1 简介

以下各章节将对CPP 700-H和CPP 1000-H手持式试压泵以及如何正确使用它们进行详细说明。如果需要更多信息，或遇到操作说明书中未提及的问题，请按照如下地址与我们联系：

#### **WIKA Alexander Wiegand SE & Co. KG**

Alexander Wiegand Strasse  
D-63911 Klingenberg  
电话：+49-(0)9372/132-473  
传真：+49-(0)9372/132-8767  
电子邮件：calibration@wika.de

根据ZVEI（德国电气与电子工业协会）的总体要求，该款手持式试压泵的质保期为24个月。若设备使用不当、未遵守操作说明，或尝试打开设备或拆除附带零部件，则将不再享受质保服务。需强调的是，这些操作说明的内容既不构成先前或现有协议、担保或法律关系的一部分，也不会对他们产生影响。WIKA Alexander Wiegand SE & Co. KG的所有义务均遵从相应的销售合同和WIKA Alexander Wiegand SE & Co. KG公司的总体业务条件。WIKA是WIKA Alexander Wiegand SE & Co. KG的注册商标。

该手册中提及的公司或产品名称均为制造商的注册商标。

该手册中所述的设备代表了在设计、尺寸和材料方面的最高水平。我们保留在随时修改或更换材料的权利，恕不另行通知。

严禁对该手册整体或部分进行复制。

## 1.2 安全说明



在对手持式液压试压泵CPP 700-H/CPP 1000-H进行操作之前，请仔细阅读这些操作说明。

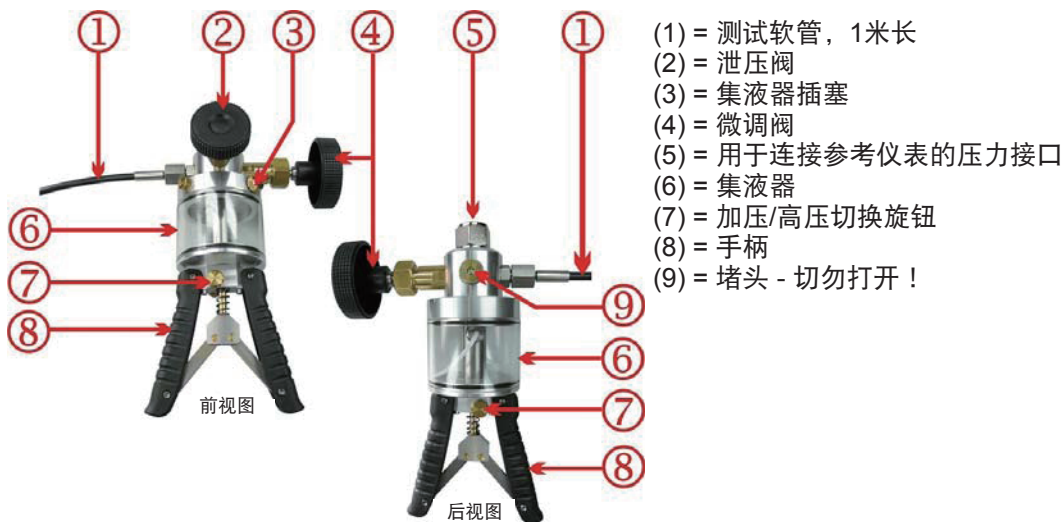
泵内可能有非常高的压力，因此操作时需谨慎，并确保所有压力接头均正确连接。

## 2. 产品说明

在通过对比测量检查、调节和校验机械和电子压力测量仪表时，可使用CPP 700-H和CPP 1000-H手持式试压泵生成所需的压力。这些压力测试可以在实验室、车间或者测量位置现场进行。

如果待测仪表和一个足够精确的参考测量仪表都连接到测试泵上，那么当泵运行时，就可以在两个测量仪表上施加相同的压力。通过对随机压力值下的两个测量阀门进行对比，就能对精度进行验证，并对待测仪表进行调节。

除了紧凑的外形尺寸外，CPP 700-H和CPP 1000-H手持式试压泵的操作很简单，并且可以精确产生所需的测试压力。泵上配有一个微调阀，用于对压力进行精微调节。参考仪表通过螺纹直接连接在泵的顶端，待测设备则是通过带有1/4" BSP内螺纹的压力管（随产品提供）进行连接。



### 3. 安装说明

- 参考仪表应安装到CPP 700-H或CPP 1000-H型手持式试压泵的上方，且应使用集成O型环密封垫圈进行密封。最大扭矩为15 Nm。
- 待测件应安装到柔性测试软管末端。连接时，请将接头上紧（最大扭矩为15 Nm），避免发生泄漏。



**切勿向CPP 700-H和CPP 1000-H施加外部压力。请勿将其连接到外部压力源上。**

- 用户可以选择多种不锈钢适配器附件，以满足测试件不同螺纹尺寸的需求。
- 上紧选配适配器（最大扭矩为15 Nm）。



**提示：**可以直接将测试件连接到泵上。拆下软管接头后，在泵体侧面有一个1/4" BSP内螺纹。

- 打开积液器 (6) 的堵头 (3) 并充入适当的液体：  
**矿物质油基液压油或纯净水（不含碳酸钙/水垢）。**  
(不适用于水和蒸馏水基液压油。)
- 不要将积液器 (6) 完全加满



#### 4. 运行 (压力)

- 确保CPP 700-H或CPP 1000-H处于加压位置。如有必要请按下切换旋钮 (7)。



- 确保泄压阀 (2) 打开。
- 将调整阀 (4) 逆时针拧到头 (会感到轻微的“停顿”)
- 顺时针转动泄压阀 (2) 直到泄压按钮闭合为止。
- 操作手柄 (8) 进行加压, 直到手柄因为所产生的加压压力而无法再完全压合为止。根据校验回路的体积, 此时的压力大约为200到400 bar/3000到6000 psi。
- 使手柄 (8) 保持压合状态, 并对切换旋钮 (7) 进行操作。手柄 (8) 此时位于“高压”位置。



备注: 如果所产生的加压压力过大, 则无法再将手柄 (8) 完全压合。此时, 请将泄压阀 (2) 打开 (逆时针旋转) 然后再试一次。

- 对手柄 (8) 进行操作, 直到接近所需压力为止 (最大压力约为600 bar/9000 psi)。通过顺时针转动调节阀 (4) 可以达到更高的压力。



备注: 在增大压力后, 由于热力学效应、管接头和密封垫圈的影响, 压力读数可能略有下降 (约30秒)。如果压力降没有达到稳定状态, 请检查测量回路的气密性。

- 先逆时针转动微调阀 (4)，然后小心打开泄压阀(2)，就可以减小压力。



备注：如需释放压力，请逆时针转动泄压阀 (2)（最多转动1圈）。之后再顺时针转动以将其关闭。



只有在泄压阀 (2) 打开且测试泵内不再有压力时，才能拆除参考仪表或测试件。

## 5. 维护说明

在连接参考仪表和测试件之前，应检查两个接头中的密封垫圈是否正确就位且没有磨损，如有必要应将其更换。

随校验仪提供有检修套件配件（包括备用密封垫圈和O型环）。



只允许使用水或柔和的洗涤剂对积液器进行清洁。如果使用酒精、乙醇（酒精）、丙酮或不纯苯进行清洁，则积液器材料上会出现龟裂并有可能导致积液器损坏。

## 6. 故障处理

- 如果无法正确产生压力或设定压力无法稳定，则很有可能由于密封垫圈位置错误或选型不当造成。此时，还应检查测试件上所使用的适配器是否足够上紧以排除泄漏风险。
- 在怀疑手持式试压泵有泄漏之前：  
先要检查泄压阀 (2) 是否关闭。
- 如果测试泵长期不用，那么在初次使用时很可能会反应迟钝。使用几次后这种现象就会消失。
- 切勿向手持式试压泵的工作元件上施加任何形式的力。



切勿向CPP 700-H或CPP 1000-H手持式试压泵上连接外部压力源。

## 7. 规格

		CPP 700-H	CPP 1000-H
压力范围	bar	0 ... 700	0 ... 1.000
	psi	0 ... 10.000	0 ... 14.500
介质		矿物质油基液压油/ 纯净水 (不含碳酸钙/水垢) <sup>1)</sup>	矿物质油基液压油/ 纯净水 (不含碳酸钙/水垢) <sup>1)</sup>
压力接口 - 用于参考仪表		G 1/2"内螺纹, 旋转式 该旋转头是可拆卸的, 拆卸后会 露出G 3/8"内螺纹 (固定) 端口	G 1/2"内螺纹, 旋转式 该旋转头是可拆卸的, 拆卸后会露出 G 3/8"内螺纹 (固定) 端口
- 用于测试件		G 1/4"内螺纹, 拧到Minimes® 1620系列测试软管 (1米长) 上	G 1/4"内螺纹, 拧在高压测试软管 (1米长) 上
微调:		微调阀/ 流量调节器	微调阀/ 流量调节器
积液器	cm <sup>3</sup>	200	200
材料		阳极电镀铝、黄铜、 不锈钢、塑料	阳极电镀铝、黄铜、 不锈钢、塑料
密封垫圈		FKM和NBR (标配)	FKM和NBR (标配)
尺寸	mm	280 (长) x 170 (宽) x 120 (高)	280 (长) x 170 (宽) x 120 (高)
重量	kg	1,9	1,9
标准附件		Minimes®测试软管, 1米长	高压测试软管 1米长

<sup>1)</sup>也可根据客户要求提供其他压力传送介质。

## 8. 订购参数 / 附件

手持式试压泵订购参数	订购代码
CPP 700-H型手持式试压泵，中油/纯净水，不含碳酸钙/水垢，包括Minimess®测试软管（1米长）和1/4" BSP内螺纹接头	13001981
CPP 1000-H型手持式试压泵，中油/纯净水，不含碳酸钙/水垢，包括高压测试软管（1米长），带1/4" BSP内螺纹接头（旋转式）	13001990

附件订购参数	订购代码
用于CPP 700-H或CPP 1000-H的塑料盒（带泡沫塑料），尺寸（W/H/T）：440 x 370 x 140（单位为mm）	13001965
适配器和密封件套件，用于BSP测试件的G 1/4"外螺纹接头及G 1/8"、G 3/8"和G 1/2"内螺纹接头	12139689
适配器和密封件套件，用于公制测试件G 1/4"外螺纹接头及M 12 x 1.5、M 20 x 1.5和 Minimess®	12140422
适配器和密封件套件，用于NPT测试件G 1/4"外螺纹接头及1/8" NPT、1/4" NPT、3/8" NPT和1/2" NPT内螺纹接头	12139701
G 1/4"外螺纹接头和G 1/2"内螺纹接头适配器，材料：不锈钢	0168483
用于CPP 1000和CPP 1600试压泵系列的工作液体，塑料瓶装（1升）	2099882
用于CPP700-H和CPP1000-H型手持式试压泵的密封垫圈和O型环检修套件	13001442
用于CPP700-H的替换软管，1米长	13001434
用于CPP1000-H的替换软管，1米长	13001400

## 9. 推荐参考仪表

### ■ CPG 100型高精度数字式压力计

测量范围：最高达700 bar

准确度：0.05 %量程

规格参数请参见数据手册CT 10.01



### ■ CPH 6200型手持式压力数显仪

测量范围：最高达1,000 bar

准确度：0.2 %量程

规格参数请参见数据手册CT 11.01



### ■ CPH 6400型手持式压力数显仪

测量范围：最高达4,000 bar

准确度：0.025 %量程或0.1 %读数

规格参数请参见数据手册CT 14.01



### ■ CPH 600型过程校验仪

测量范围：最高达1,000 bar

准确度：0.025 %量程

规格参数请参见数据手册CT 15.01



## 校验软件：

### ■ EasyCal校验软件

用于监测检查设备，包括生成校验报告和归档校验数据

规格参数请参见数据手册CT 95.01



备注

**10. 威卡 (WIKA) 全球****North America****Canada**

WIKA Instruments Ltd.  
Head Office  
Edmonton, Alberta, T6N 1C8  
Phone: (+1) 780-463 70 35  
Fax: (+1) 780-462 00 17  
E-mail: [info@wika.ca](mailto:info@wika.ca)  
[www.wika.ca](http://www.wika.ca)

**Mexico**

Instrumentos WIKA Mexico S.A.  
de C.V.  
01210 Mexico D.F.  
Tel. (+52) 55 55466329  
E-Mail: [ventas@wika.com](mailto:ventas@wika.com)  
[www.wika.com.mx](http://www.wika.com.mx)

**USA**

WIKA Instrument Corporation  
Lawrenceville, GA 30043  
Phone: (+1) 770-513 82 00  
Fax: (+1) 770-338 51 18  
E-mail: [info@wika.com](mailto:info@wika.com)  
[www.wika.com](http://www.wika.com)

Mensor Corporation  
201 Barnes Drive  
San Marcos, TX 78666  
Tel. (+1) 512 3964200-15  
Fax (+1) 512 3961820  
E-Mail: [sales@mensor.com](mailto:sales@mensor.com)  
[www.mensor.com](http://www.mensor.com)

**South America****Argentina**

WIKA Argentina S.A.  
Buenos Aires  
Phone: (+54-11) 4730 18 00  
Fax: (+54-11) 4761 00 50  
E-mail: [info@wika.com.ar](mailto:info@wika.com.ar)  
[www.wika.com.ar](http://www.wika.com.ar)

**Brazil**

WIKA do Brasil Ind. e Com. Ltda.  
CEP 18560-000 Iperó - SP  
Tel. (+55) 15 34599700  
Fax: (+55) 15 32661650  
E-Mail: [marketing@wika.com.br](mailto:marketing@wika.com.br)  
[www.wika.com.br](http://www.wika.com.br)

**Africa/Middle East****Egypt**

WIKA Near East Ltd.  
El-Serag City Towers  
-Tower#2 - Office#67-  
Nasr City Cairo  
Tel. (+20) 2 22733140  
Fax: (+20) 2 22703815  
E-Mail: [wika.repcairo@wika.de](mailto:wika.repcairo@wika.de)  
[www.wika.com.eg](http://www.wika.com.eg)

**Namibia**

WIKA Instruments Namibia (Pty)  
Ltd.  
P.O. Box 31263  
Pionierspark  
Windhoek  
Tel. (+26) 4 6123 8811  
Fax (+26) 4 6123 3403  
E-Mail: [info@wika.com.na](mailto:info@wika.com.na)  
[www.wika.com.na](http://www.wika.com.na)

**South Africa**

WIKA Instruments (Pty.) Ltd.  
Gardenview,  
Johannesburg 2047  
Phone: (+27) 11-621 00 00  
Fax: (+27) 11-621 00 59  
E-mail: [sales@wika.co.za](mailto:sales@wika.co.za)  
[www.wika.co.za](http://www.wika.co.za)

**United Arab Emirates**

WIKA Middle East FZE  
Jebel Ali, Dubai  
Phone: (+971) 4 - 883 90 90  
Fax: (+971) 4 - 883 91 98  
E-mail: [wikame@emirates.net.ae](mailto:wikame@emirates.net.ae)

**Asia****China**

WIKA International Trading  
(Shanghai) Co., Ltd.  
200001 Shanghai  
Tel. (+86) 21 538525-72  
Fax: (+86) 21 538525-75  
E-Mail: [info@wika.com.cn](mailto:info@wika.com.cn)  
[www.wika.com.cn](http://www.wika.com.cn)

**WIKA Instruments India Pvt. Ltd.**

Village Kesnand, Wagholi  
Pune - 412 207  
Tel. (+91) 20 66293-200  
Fax: (+91) 20 66293-325  
E-Mail: [sales@wika.co.in](mailto:sales@wika.co.in)  
[www.wika.co.in](http://www.wika.co.in)

**Japan**

WIKA Japan K. K.  
Tokyo 105-0023  
Phone: (+81) 3-54 39 66 73  
Fax: (+81) 3-54 39 66 74  
E-mail: [t-shimane@wika.co.jp](mailto:t-shimane@wika.co.jp)

**Kazakhstan**

TOO WIKA Kazakhstan  
050050 Almaty  
Tel. (+7) 32 72330848  
Fax: (+7) 32 72789905  
E-Mail: [info@wika.kz](mailto:info@wika.kz)  
[www.wika.kz](http://www.wika.kz)

**Korea**

WIKA Korea Ltd.  
#569-21 Gasan-dong  
Seoul 153-771 Korea  
Tel. (+82) 2 869 05 05  
Fax (+82) 2 869 05 25  
E-Mail: [info@wika.co.kr](mailto:info@wika.co.kr)  
[www.wika.co.kr](http://www.wika.co.kr)

**Malaysia**

WIKA Instrumentation (M) Sdn.  
Bhd.  
47100 Puchong, Selangor  
Tel. (+60) 3 80 63 10 80  
Fax: (+60) 3 80 63 10 70  
E-Mail: [info@wika.com.my](mailto:info@wika.com.my)  
[www.wika.com.my](http://www.wika.com.my)

**Singapore**

WIKA Instrumentation Pte. Ltd.  
569625 Singapore  
Tel. (+65) 68 44 55 06  
Fax: (+65) 68 44 55 07  
E-Mail: [info@wika.com.sg](mailto:info@wika.com.sg)  
[www.wika.com.sg](http://www.wika.com.sg)

**Taiwan**

WIKA Instrumentation Taiwan Ltd.  
Pinjen, Taoyuan  
Tel. (+886) 3 420 6052  
Fax: (+886) 3 490 0080  
E-Mail: [info@wika.com.tw](mailto:info@wika.com.tw)  
[www.wika.com.tw](http://www.wika.com.tw)

**Australia****Australia**

WIKA Australia Pty. Ltd.  
Rydalmere, NSW 2116  
Tel. (+61) 2 88455222  
Fax: (+61) 2 96844767  
E-Mail: [sales@wika.com.au](mailto:sales@wika.com.au)  
[www.wika.com.au](http://www.wika.com.au)

**New Zealand**

Process Instruments Limited  
Unit 7 / 49 Sainsbury Road  
St Lukes - Auckland 1025  
Tel. (+64) 9 8479020  
Fax: (+64) 9 8465964  
E-Mail: [info@wika.co.nz](mailto:info@wika.co.nz)  
[www.wika.co.nz](http://www.wika.co.nz)

## Europe

### Austria

WIKA Messgerätevertrieb  
Ursula Wiegand  
GmbH & Co. KG  
1230 Wien  
Phone: (+43) 1-86 91 631  
Fax: (+43) 1-86 91 634  
E-mail: [info@wika.at](mailto:info@wika.at)  
[www.wika.at](http://www.wika.at)

### Benelux

WIKA Benelux  
6101 WX Echt  
Phone: (+31) 475-535 500  
Fax: (+31) 475-535 446  
E-mail: [info@wika.nl](mailto:info@wika.nl)  
[www.wika.nl](http://www.wika.nl)

### Bulgaria

WIKA Bulgaria EOOD  
Bul. „Al. Stamboliiski“ 205  
1309 Sofia  
Phone: (+359) 2 82138-10  
Fax: (+359) 2 82138-13  
E-Mail: [t.antonov@wika.bg](mailto:t.antonov@wika.bg)

### Croatia

WIKA Croatia d.o.o.  
Hrastovicka 19  
10250 Zagreb-Lucko  
Tel. (+385) 1 6531034  
Fax: (+385) 1 6531357  
E-Mail: [info@wika.hr](mailto:info@wika.hr)  
[www.wika.hr](http://www.wika.hr)

### Finland

WIKA Finland Oy  
00210 Helsinki  
Phone: (+358) 9-682 49 20  
Fax: (+358) 9-682 49 270  
E-mail: [info@wika.fi](mailto:info@wika.fi)  
[www.wika.fi](http://www.wika.fi)

### France

WIKA Instruments s.a.r.l.  
95610 Eragny-sur-Oise  
Phone: (+33) 1-34 30 84 84  
Fax: (+33) 1-34 30 84 94  
E-mail: [info@wika.fr](mailto:info@wika.fr)  
[www.wika.fr](http://www.wika.fr)

### Germany

WIKA Alexander Wiegand SE & Co. KG  
63911 Klingenberg  
Tel. (+49) 9372 132-0  
Fax: (+49) 9372 132-406  
E-Mail: [info@wika.de](mailto:info@wika.de)  
[www.wika.de](http://www.wika.de)

### Italy

WIKA Italia Srl & C. sas  
20020 Arese (Milano)  
Tel. (+39) 02 9386-11  
Fax: (+39) 02 9386-174  
E-Mail: [info@wika.it](mailto:info@wika.it)  
[www.wika.it](http://www.wika.it)

### Poland

WIKA Polska S.A.  
87-800 Wloclawek  
Tel. (+48) 542 3011-00  
Fax: (+48) 542 3011-01  
E-Mail: [info@wikapolska.pl](mailto:info@wikapolska.pl)  
[www.wikapolska.pl](http://www.wikapolska.pl)

### Romania

WIKA Instruments Romania S.R.L.  
Bucuresti, Sector 5  
Calea Rahovei Nr. 266-268  
Corp 61, Etaj 1  
Tel. (+40) 21 4048327  
Fax: (+40) 21 4563137  
E-Mail: [m.anghel@wika.ro](mailto:m.anghel@wika.ro)

### Russia

ZAO WIKA MERA  
127015 Moscow  
Tel. (+7) 495-648 01 80  
Fax: (+7) 495-648 01 81  
E-Mail: [info@wika.ru](mailto:info@wika.ru)  
[www.wika.ru](http://www.wika.ru)

### Serbia

WIKA Merna Tehnika d.o.o.  
Sime Solaje 15  
11060 Belgrade  
Tel. (+381) 11 2763722  
Fax: (+381) 11 753674  
E-Mail: [info@wika.co.yu](mailto:info@wika.co.yu)  
[www.wika.co.yu](http://www.wika.co.yu)

### Spain

Instrumentos WIKA, S.A.  
C/Josep Carner, 11-17  
08205 Sabadell (Barcelona)  
Tel. (+34) 902 902577  
Fax: (+34) 933 938666  
E-Mail: [info@wika.es](mailto:info@wika.es)  
[www.wika.es](http://www.wika.es)

### Switzerland

MANOMETER AG  
6285 Hitzkirch  
Phone: (+41) 41-919 72 72  
Fax: (+41) 41-919 72 73  
E-mail: [info@manometer.ch](mailto:info@manometer.ch)  
[www.manometer.ch](http://www.manometer.ch)

### Turkey

WIKA Instruments Istanbul  
Basinc ve Sicaklik Ölçme Cihazlari  
Ith. Ihr. ve Tic. Ltd. Sti.  
Bayraktar Bulvarı No. 21  
34775 Yukari Dudullu - Istanbul  
Tel. (+90) 216 41590-66  
Fax: (+90) 216 41590-97  
E-Mail: [info@wika.com.tr](mailto:info@wika.com.tr)  
[www.wika.com.tr](http://www.wika.com.tr)

### Ukraine

WIKA Pribor GmbH  
83016 Donetsk  
Tel. (+38) 062 34534-16  
Fax: (+38) 062 34534-16  
E-Mail: [info@wika.ua](mailto:info@wika.ua)  
[www.wika.ua](http://www.wika.ua)

### United Kingdom

WIKA Instruments Ltd  
Merstham, Redhill RH13LG  
Tel. (+44) 1737 644-008  
Fax: (+44) 1737 644-403  
E-Mail: [info@wika.co.uk](mailto:info@wika.co.uk)  
[www.wika.co.uk](http://www.wika.co.uk)



威卡自动化仪表（苏州）有限公司  
威卡国际贸易（上海）有限公司  
电话： (+86) 400 928 9600  
传真： (+86) 512 6878 0300  
邮箱： [400@wikachina.com](mailto:400@wikachina.com)  
[www.wika.cn](http://www.wika.cn)