

OEM miniature resistance thermometer
Models TR31-3, TR31-K

EN

OEM-Miniatur-Widerstandsthermometer
Typen TR31-3, TR31-K

DE

Sonde à résistance miniature OEM
Types TR31-3, TR31-K

FR

Termorresistencia miniatura OEM
Modelo TR31-3, TR31-K

ES



Model TR31-3

Model TR31-K

WIKAI

Part of your business

EN	Operating instructions model TR31	Page	3 - 36
DE	Betriebsanleitung Typ TR31	Seite	37 - 70
FR	Mode d'emploi type TR31	Page	71 - 104
ES	Manual de instrucciones modelo TR31	Página	105 - 138

© 07/2014 WIKA Alexander Wiegand SE & Co. KG
All rights reserved. / Alle Rechte vorbehalten.
WIKA® is a registered trademark in various countries.
WIKA® ist eine geschützte Marke in verschiedenen Ländern.

Prior to starting any work, read the operating instructions!
Keep for later use!

Vor Beginn aller Arbeiten Betriebsanleitung lesen!
Zum späteren Gebrauch aufbewahren!

Lire le mode d'emploi avant de commencer toute opération !
A conserver pour une utilisation ultérieure !

¡Leer el manual de instrucciones antes de comenzar cualquier trabajo!
¡Guardar el manual para una eventual consulta!

Contents

1. General information	4
2. Design and function	4
3. Safety	8
4. Transport, packaging and storage	12
5. Commissioning, operation	13
6. Configuration	18
7. Configuration software WIKAsoft-TT	20
8. Connecting PU-548 programming unit	22
9. Faults	23
10. Maintenance and cleaning	25
11. Dismounting, return and disposal	27
12. Specifications	29
Appendix: CSA control drawing	36

Declarations of conformity can be found online at www.wika.com.

1. General information

EN

- The resistance thermometer described in the operating instructions has been designed and manufactured using state-of-the-art technology. All components are subject to stringent quality and environmental criteria during production. Our management systems are certified to ISO 9001 and ISO 14001.
- These operating instructions contain important information on handling the instrument. Working safely requires that all safety instructions and work instructions are observed.
- Observe the relevant local accident prevention regulations and general safety regulations for the instrument's range of use.
- Skilled personnel must have carefully read and understood the operating instructions prior to beginning any work.
- Subject to technical modifications.
- Further information:
 - Internet address: www.wika.de / www.wika.com
 - Relevant data sheet: TE 60.31
 - Application consultant: Tel.: +49 9372 132-0
Fax: +49 9372 132-406
info@wika.de

2. Design and function

2.1 Description

The model TR31 resistance thermometer consists of a thermowell with a fixed process connection and is screwed directly into the process. It is designed to be impact and vibration resistant and all electrical components are protected against humidity (IP67 or IP69K). The vibration resistance conforms to IEC 60751 (20 g, dependent on the instrument version). The impact resistance of all versions meets the requirements of IEC 60751.

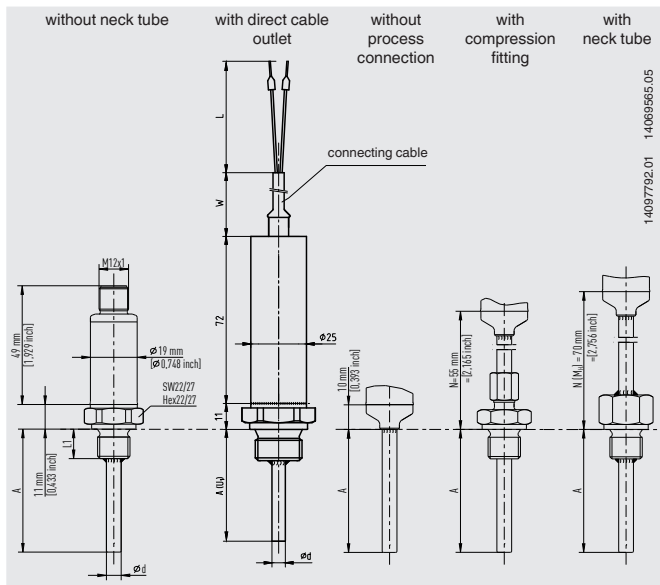
2. Design and function

Ensure that mechanical loads on the connector are minimised, especially in case of increased ambient temperatures or strong vibration loads. The electrical connection is made via an M12 x 1 circular connector or via the directly connected cable.

An adapter for electrical connection with angular connector per DIN EN 175301-803 is optionally available for the M12 x 1 circular connector version.

2.2 Dimensions in mm

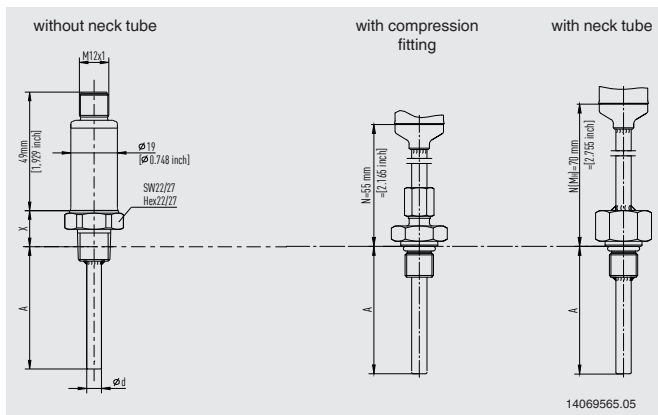
Process connection with parallel thread (or without process connection)



2. Design and function

Process connection with parallel thread (7/16-20 UNF-2A) and O-ring

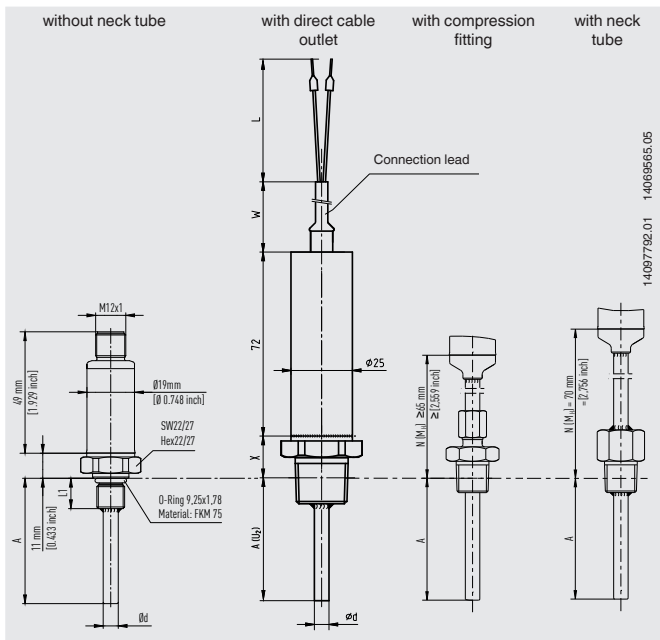
EN



The FKM O-ring must be protected from temperatures lower than $-20\text{ }^{\circ}\text{C}$ [$-4\text{ }^{\circ}\text{F}$] and higher than $125\text{ }^{\circ}\text{C}$ [$257\text{ }^{\circ}\text{F}$].

2. Design and function

Process connection with tapered thread



At a process temperature of $> 150\text{ °C}$ [302 °F], a neck length N (M_H) of 70 mm [2.76 in] is necessary, otherwise N (M_H) selectable (55 mm [2.17 in], 65 mm [2.56 in] or 70 mm [2.76 in]).

Legend:

- A (U_1) Insertion length (parallel thread)
- A (U_2) Insertion length (tapered thread)
- N (M_H) Neck length
- Ød Sensor diameter
- W Length of the directly connected cable
- L Length of the free stranded wires
- X Height process connection
 - 1/4 NPT = 15 mm [0.59 in]
 - 1/2 NPT = 19 mm [0.75 in]

2. Design and function / 3. Safety

2.3 Scope of delivery

Cross-check scope of delivery with delivery note.

EN

3. Safety

3.1 Explanation of symbols



WARNING!

... indicates a potentially dangerous situation that can result in serious injury or death, if not avoided.



CAUTION!

... indicates a potentially dangerous situation that can result in light injuries or damage to property or the environment, if not avoided.



DANGER!

... identifies hazards caused by electric power. Should the safety instructions not be observed, there is a risk of serious or fatal injury.



WARNING!

... indicates a potentially dangerous situation that can result in burns, caused by hot surfaces or liquids, if not avoided.



Information

... points out useful tips, recommendations and information for efficient and trouble-free operation.

3.2 Intended use

The model TR31 resistance thermometer is used as a general-purpose thermometer for the measurement of temperatures from $-50 \dots +150 \text{ }^{\circ}\text{C}$ [$-58 \dots +302 \text{ }^{\circ}\text{F}$] (without neck tube) and $-50 \dots +250 \text{ }^{\circ}\text{C}$ [$-58 \dots +482 \text{ }^{\circ}\text{F}$] (with neck tube) in liquid and gaseous media. The version with mineral-insulated sheathed cable and neck tube allows to measure temperatures

3. Safety

EN

up to 300 °C [572 °F]. It can be used for pressures up to 140 bar [2,030 psi] with 3 mm [0.12 in] sensor diameters and up to 270 bar [3,916 psi] with 6 mm [0.24 in] sensor diameters, dependent on the instrument version.

The instrument has been designed and built solely for the intended use described here, and may only be used accordingly.

The technical specifications contained in these operating instructions must be observed. Improper handling or operation of the instrument outside of its technical specifications requires the instrument to be taken out of service immediately and inspected by an authorised WIKA service engineer.

The manufacturer shall not be liable for claims of any type based on operation contrary to the intended use.

3.3 Responsibility of the operator

The system operator is responsible for selecting the thermometer or protection tube, and for the selection of their materials, so as to guarantee their safe operation within the plant or machine. When preparing a quote, WIKA can only give recommendations which are based on our experience in similar applications.

The safety instructions within these operating instructions, as well as the safety, accident prevention and environmental protection regulations for the application area must be maintained.

The operator is obliged to maintain the product label in a legible condition.

3. Safety

3.4 Personnel qualification

EN



WARNING!

Risk of injury should qualification be insufficient!

Improper handling can result in considerable injury and damage to property.

- ▶ The activities described in these operating instructions may only be carried out by skilled personnel who have the qualifications described below.
- ▶ Keep unqualified personnel away from hazardous areas.

Skilled electrical personnel

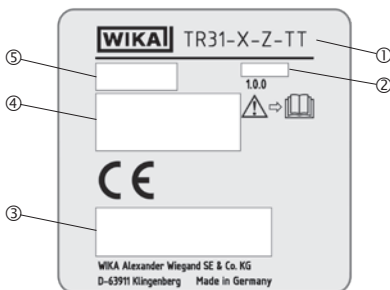
Skilled electrical personnel are understood to be personnel who, based on their technical training, know-how and experience as well as their knowledge of country-specific regulations, current standards and directives, are capable of carrying out work on electrical systems and independently recognising and avoiding potential hazards. The skilled electrical personnel have been specifically trained for the work environment they are working in and know the relevant standards and regulations. The skilled electrical personnel must comply with current legal accident prevention regulations.

Special operating conditions require further appropriate knowledge, e.g. of aggressive media.

3. Safety

3.5 Labelling, safety marks

Product label (example)



EN

- ① Model
- ② Date of manufacture (Year-Month)
- ③ Approval logos
- ④ Information on version (measuring element, output signal, measuring range...)
 - Thermometer with transmitter and 4 ... 20 mA output signal
 - Thermometer with direct sensor output with Pt100 and Pt1000
- ⑤ Serial number, TAG no.



Before mounting and commissioning the instrument, ensure you read the operating instructions!

4. Transport, packaging and storage

4. Transport, packaging and storage

EN

4.1 Transport

Check the instrument for any damage that may have been caused by transport. Obvious damage must be reported immediately and damaged instruments must not be used.



CAUTION!

Damage through improper transport

With improper transport, a high level of damage to property can occur.

- ▶ When unloading packed goods upon delivery as well as during internal transport, proceed carefully and observe the symbols on the packaging.
- ▶ With internal transport, observe the instructions in chapter 4.2 "Packaging and storage".

If the instrument is transported from a cold into a warm environment, the formation of condensation may result in instrument malfunction. Before putting it back into operation, wait for the instrument temperature and the room temperature to equalise.

4.2 Packaging and storage

Do not remove packaging until just before mounting.

Keep the packaging as it will provide optimum protection during transport (e.g. change in installation site, sending for repair).

Permissible conditions at the place of storage:

- Storage temperature:
 - M12 x 1, 4-pin circular connector: -40 ... +85 °C [-40 ... +185 °F]
 - Directly connected cable: -20 ... +80 °C [-4 ... +176 °F]
- Humidity: 5 ... 95 % r. h.

Avoid exposure to the following factors:

- Direct sunlight or proximity to hot objects
- Mechanical vibration, mechanical shock (putting it down hard)
- Soot, vapour, dust and corrosive gases
- Potentially explosive environments, flammable atmospheres

4. Transport ... / 5. Commissioning, operation

Store the instrument in its original packaging in a location that fulfils the conditions listed above. If the original packaging is not available, pack and store the instrument as described below:

1. Wrap the instrument in an antistatic plastic film.
2. Place the instrument along with shock-absorbent material in the packaging.
3. If stored for a prolonged period of time (more than 30 days), place a bag containing a desiccant inside the packaging.

EN

5. Commissioning, operation



WARNING!

Avoid putting any mechanical loading on the electrical connections and on the enclosures. Connections must only be opened once the instrument has been depressurised and has cooled down.

Maximum permissible temperatures:

At case with transmitter: 85 °C [185 °F]

With directly connected cable: -20 ... +80 °C [-4 ... +176 °F]

Class A:

Without neck tube -30 ... +150 °C [-22 ... +302 °F]

With neck tube -30 ... +250 °C [-22 ... +482 °F] ¹⁾

Class B:

Without neck tube -50 ... +150 °C [-58 ... +302 °F]

With neck tube -50 ... +250 °C [-58 ... +482 °F] ¹⁾

1) Version with mineral-insulated sheathed cable can be used up to 300 °C [572 °F].

5.1 Mounting

These resistance thermometers are designed for screw-fitting directly into the process. The insertion length, along with the flow velocity and viscosity of the process media, may reduce the max. loading on the thermowell.

The housing must be grounded against electromagnetic fields and electrostatic discharge. It is not necessary to connect the housing

5. Commissioning, operation

separately to the equipotential bonding system, provided that it has a fixed and secure contact to the metallic vessel, its components or pipes, and that these are connected to the equipotential bonding system.

EN

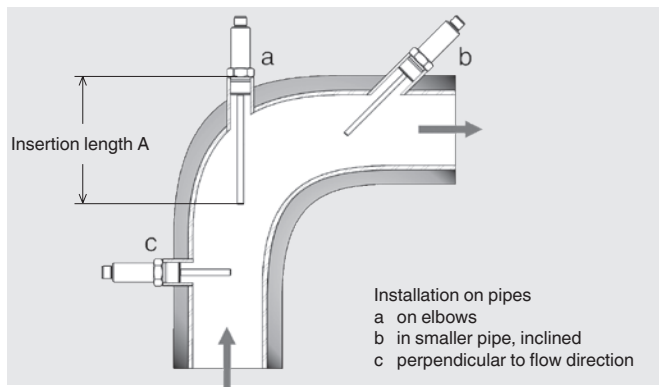
When there is a non-metallic contact with the vessel, or with its structural components or piping, the instrument must be provided with equipotential bonding.



WARNING!

Neither repairs nor structural modifications are permitted, and any would void the guarantee.

Installation examples



For information on tapped holes, refer to DIN 3852 or for NPT threads to ANSI B 1.20.

5. Commissioning, operation

5.1.1 Tightening torques for compression fittings

Sealing	Turns	Max. pressure in bar
Stainless steel ferrule	1 ¼ ... 1 ½	100
Stainless steel compression ring	1 ¼ ... 1 ½	100
PTFE ferrule	1 ¼ ... 1 ½	8

EN

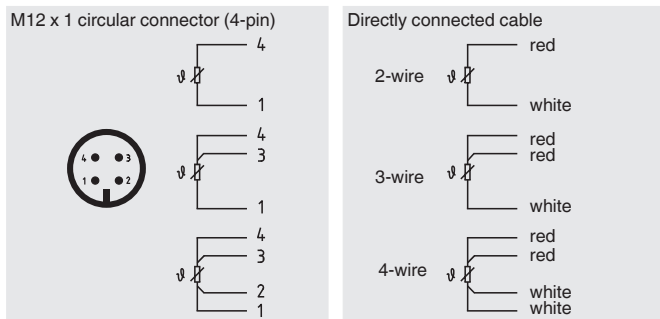
5.1.2 Tightening torque for M12 mating connector or M12 adapter

Choose a tightening torque of 0.6 Nm.

5.2 Electrical connection

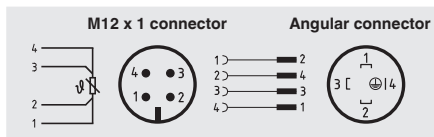
The electrical connection is made via a circular connector.

- Output signal Pt100 and Pt1000 (standard)



Alternative pin assignments possible.
For further information see order documentation.

Accessories: M12 x 1 Pt adapter to DIN EN 175301-803 angular connector

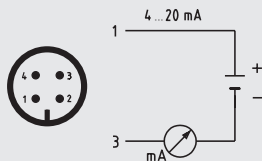


5. Commissioning, operation

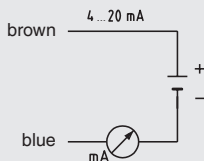
■ Output signal 4 ... 20 mA (standard)

EN

M12 x 1 circular connector (4-pin)



Directly connected cable

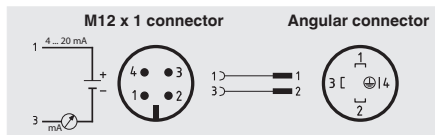


Pin	Signal	Description
1	L+	10 ... 30 V
2	VQ	not connected
3	L-	0 V
4	C	not connected

Wire	Signal	Description
Brown	L+	10 ... 30 V
Blue	L-	0 V

Alternative pin assignments possible.
For further information see order documentation.

Accessories: M12 x 1 transmitter adapter to DIN EN 175301-803 angular connector



Pin assignment angular connector

Pin	Signal	Description
1	L+	10 ... 30 V
2	L-	0 V
3	VQ	not connected
4	C	not connected

5. Commissioning, operation



DANGER!

Danger to life caused by electric current

Upon contact with live parts, there is a direct danger to life.

- The instrument may only be installed and mounted by skilled personnel.
- Operation using a defective power supply unit (e.g. short-circuit from the mains voltage to the output voltage) can result in life-threatening voltages at the instrument!
- Carry out mounting work only with power disconnected.

EN

This is protection class 3 equipment for connection at low voltages, which are separated from the power supply or voltages of greater than AC 50 V or DC 120 V. Preferably, a connection to an SELV or PELV circuit is recommended; alternatively protective measures from HD 60346-4-41 (DIN VDE 0100-410).

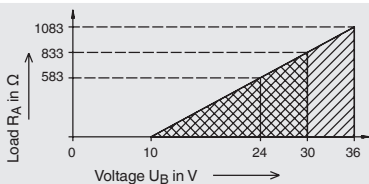
Alternatively for North America

The connection can be made in line with “Class 2 Circuits” or “Class 2 Power Units” in accordance with CEC (Canadian Electrical Code) or NEC (National Electrical Code).

Load diagram

The permissible load depends on the loop supply voltage. For communication with the instrument with programming unit PU-548, a max. load of 350 Ω is admissible.

$R_A \leq (U_B - 10 \text{ V}) / 23 \text{ mA}$ with R_A in Ω and U_B in V



5.3 Behaviour of the electrical output signal 4 ... 20 mA

EN

■ Sensor break and short-circuit

Sensor break or short-circuit are signalled after positive detection (after approx. 1 second). If this fault condition has been caused by a malfunction, then a relevant measurement signal must exist for approx. 1 second in order to return to measuring mode. From the time of the error detection up to the fault signal, the last relevant measured value will be delivered on the current loop.

Therefore, in the event of a “true” sensor break or short-circuit, this is also signalled permanently. In the event of a “false” sensor break or short-circuit, the transmitter has the possibility of reverting to measuring mode.

■ Medium temperature outside the span

If the media temperature configured in the transmitter exceeds, an error will be signalled.

6. Configuration

Configuration is carried out via a USB interface with a PC via the model PU-548 programming unit (accessories, order no. 14231581). The connection with the thermometer is made via the appropriate adapter cable.

- Accessories, M12 x 1 circular connector: order number 14003193
- Accessories, crocodile clips for bare-end connecting wires: order number 14097967

6. Configuration

Measuring range, damping, fault signal, TAG no. and other parameters can be adjusted (see configuration software).



- Easy to use
- LED status display
- Compact version
- No further power supply is needed for either the programming unit or for the transmitter

(replaces programming unit model PU-448)

The measuring range is configurable between $-50 \dots +250 \text{ }^{\circ}\text{C}$ [$-58 \dots +482 \text{ }^{\circ}\text{F}$]. The configuration software checks the required measuring range and will only accept permissible values. Intermediate values are configurable; the smallest increment is $0.1 \text{ }^{\circ}\text{C}$ or $0.1 \text{ }^{\circ}\text{F}$. The thermometers are delivered configured to customer specifications within the configurable limits.

Please note:

The measuring range of the thermometer is limited by the application range of the measuring element, not by the setting range of the transmitter.

Maximum permissible temperatures:

- At case with transmitter: $85 \text{ }^{\circ}\text{C}$ [$185 \text{ }^{\circ}\text{F}$]
- With directly connected cable: $-20 \dots +80 \text{ }^{\circ}\text{C}$ [$-4 \dots +176 \text{ }^{\circ}\text{F}$]
- Class A:
Without neck tube $-30 \dots +150 \text{ }^{\circ}\text{C}$ [$-22 \dots +302 \text{ }^{\circ}\text{F}$]
With neck tube $-30 \dots +250 \text{ }^{\circ}\text{C}$ [$-22 \dots +482 \text{ }^{\circ}\text{F}$]¹⁾
- Class B:
Without neck tube $-50 \dots +150 \text{ }^{\circ}\text{C}$ [$-58 \dots +302 \text{ }^{\circ}\text{F}$]
With neck tube $-50 \dots +250 \text{ }^{\circ}\text{C}$ [$-58 \dots +482 \text{ }^{\circ}\text{F}$]¹⁾

1) Version with mineral-insulated sheathed cable can be used up to $300 \text{ }^{\circ}\text{C}$ [$572 \text{ }^{\circ}\text{F}$].

7. Configuration software WIKAsoft-TT

7. Configuration software WIKAsoft-TT

EN

For installation please follow the instructions of the installation routine.

7.1 Starting the software

Start the configuration software by double-clicking on the WIKAsoft-TT icon.

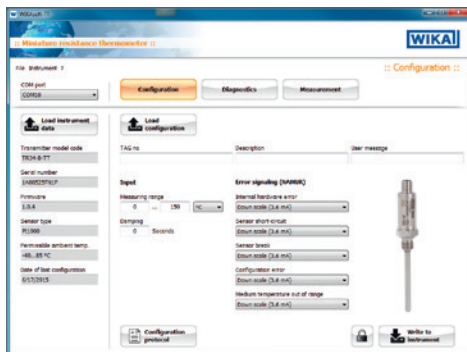
After starting the software, the language can be changed, via the selection of the appropriate country's flag.

The selection of the COM port is made automatically.

After the connection of a transmitter (using the PU-548), on pressing the "Start" button, the configuration interface is loaded.



The configuration interface can only be loaded when an instrument is connected.



7.2 Configuration procedure

Steps 1 and 2 are carried out automatically when starting the software.

1. "Loading the instrument data"
2. "Loading configuration"
3. [optional] Cancel write protection ("key" symbol at the bottom right)
4. Change the required parameters
→ Sensor/Measuring range/Error signalling etc.
5. "Save to the instrument"
6. [optional] Activate write protection
7. [optional] Print configuration protocol
8. [optional] Test: "Loading configuration" → checking the configuration

7.3 Fault diagnosis

Here, in the event of an "error detected by the transmitter", the error message is displayed.

Examples: Sensor break, permitted highest temperature exceeded, etc. In normal operation, "No fault - No maintenance requirement" is displayed here.

7.4 Measured values

Line recorder - Here the measured value progression is represented in the format of a chart recorder with a constant sampling rate in a defined time interval (180 seconds) and a variable temperature axis.

The display purely serves as a functional check and for information. An export of the data is not possible.

7.5 Configure several instruments identically

■ First instrument

1. "Loading configuration"
2. [optional] Cancel write protection ("key" symbol at the bottom right)
3. Change the required parameters
4. "Save to the instrument"
5. [optional] Activate write protection

■ All subsequent instruments

1. "Loading the instrument data"
2. [optional] Cancel write protection
3. [optional] Change the required parameters, e. g. TAG number
4. "Save to the instrument"
5. [optional] Activate write protection

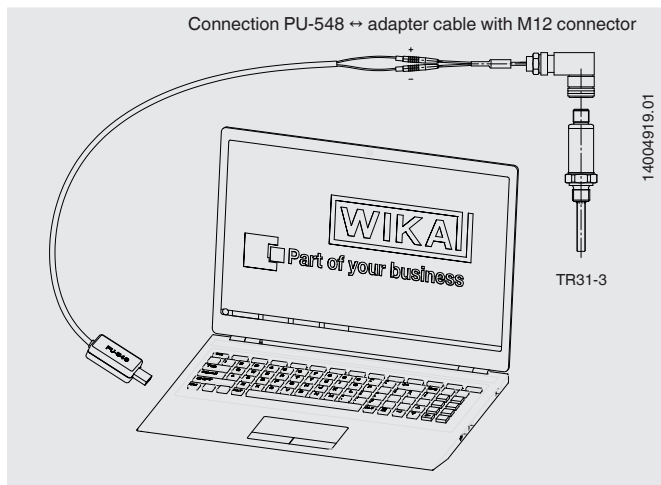
8. Connecting PU-548 programming unit



For further information, see chapter 1 “General information”, “Contact data” or the back page of these operating instructions.

EN

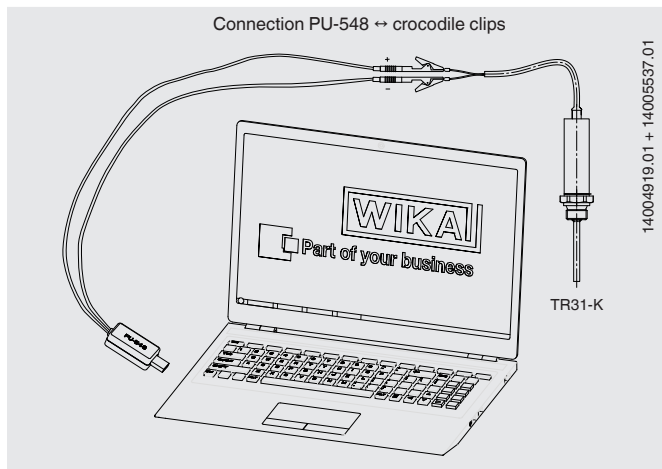
8. Connecting PU-548 programming unit



(predecessor, programming unit model PU-448, also compatible)

14096788.08.02/2022 EN/DE/FR/ES

8. Connecting PU-548 programming unit / 9. Faults



(predecessor, programming unit model PU-448, also compatible)

9. Faults



CAUTION!

Physical injuries and damage to property and the environment

If faults cannot be eliminated by means of the measures listed above, the instrument must be taken out of operation immediately.

- ▶ Ensure that pressure or signal is no longer present and protect against accidental commissioning.
- ▶ Contact the manufacturer.
- ▶ If a return is needed, please follow the instructions given in chapter 11.2 "Return".

9. Faults

EN



WARNING!

Physical injuries and damage to property and the environment caused by hazardous media

Upon contact with hazardous media (e.g. oxygen, acetylene, flammable or toxic substances), harmful media (e.g. corrosive, toxic, carcinogenic, radioactive), and also with refrigeration plants and compressors, there is a danger of physical injuries and damage to property and the environment.

Should a failure occur, aggressive media with extremely high temperature and under high pressure or vacuum may be present at the instrument.

- ▶ For these media, in addition to all standard regulations, the appropriate existing codes or regulations must also be followed.



For contact details see chapter 1 “General information” or the back page of the operating instructions.

Faults	Causes	Measures
No signal/line break	Mechanical load too high or overtemperature	Replace the sensor with a suitable version
Erroneous measured values	Sensor drift caused by overtemperature	Replace the sensor with a suitable version
	Sensor drift caused by chemical attack	Analyse the medium
Erroneous measured values (too low)	Entry of moisture into cable	Use the appropriate IP protection
Erroneous measured values and response times too long	Wrong mounting geometry, for example mounting depth too deep or heat dissipation too high	The temperature-sensitive area of the sensor must be inside the medium, and surfaces measurements must be ungrounded
	Deposits on the thermowell	Remove deposits

14096788_08.02/2022 EN/DE/FR/ES

9. Faults / 10. Maintenance and cleaning

Faults	Causes	Measures
Display of measured value jumps	Cable break in connecting cable or loose contact caused by mechanical overload	Replace the sensor or use thicker conductor cross-section
Corrosion	Composition of the medium not as expected or modified	Analyse the medium
Signal interference	Stray currents caused by electric fields or earth loops	Use of screened connecting cables, increase in the distance to motors and power lines
	Earth loops	Elimination of potentials, use of galvanically isolated transmitter supply isolators or transmitters

EN

10. Maintenance and cleaning



For contact details see chapter 1 “General information” or the back page of the operating instructions.

10.1 Maintenance

The resistance thermometers described here require absolutely no maintenance and contain no components which could be repaired or replaced.

10. Maintenance and cleaning

10.2 Cleaning

EN



CAUTION!

Physical injuries and damage to property and the environment

Improper cleaning may lead to physical injuries and damage to property and the environment. Residual media in the dismantled instrument can result in a risk to persons, the environment and equipment.

- ▶ Carry out the cleaning process as described below.
- ▶ Prior to cleaning, properly disconnect the instrument.
- ▶ Clean the instrument with a moist cloth.
- ▶ Electrical connections must not come into contact with moisture!



CAUTION!

Damage to the instrument

Improper cleaning may lead to damage to the instrument!

- ▶ Do not use any aggressive cleaning agents.
- ▶ Do not use any hard or pointed objects for cleaning.
- ▶ Wash or clean the dismantled instrument, in order to protect persons and the environment from exposure to residual media.

11. Dismounting, return and disposal

11.1 Dismounting



WARNING!

Physical injuries and damage to property and the environment through residual media

Upon contact with hazardous media (e.g. oxygen, acetylene, flammable or toxic substances), harmful media (e.g. corrosive, toxic, carcinogenic, radioactive), and also with refrigeration plants and compressors, there is a danger of physical injuries and damage to property and the environment.

- ▶ Before storage of the dismantled instrument (following use) wash or clean it, in order to protect persons and the environment from exposure to residual media.
- ▶ Use the required protective equipment (depending on the application; the thermometer itself is basically not dangerous).
- ▶ Observe the information in the material safety data sheet for the corresponding medium.

Only disconnect the resistance thermometer once the system has been depressurised!



WARNING!

Risk of burns

During dismantling there is a risk of dangerously hot media escaping.

- ▶ Let the instrument cool down sufficiently before dismantling it!

11.2 Return

Strictly observe the following when shipping the instrument:

All instruments delivered to WIKA must be free from any kind of hazardous substances (acids, bases, solutions, etc.).

When returning the instrument, use the original packaging or a suitable transport package.

11. Dismounting, return and disposal

To avoid damage:

1. Wrap the instrument in an antistatic plastic film.
2. Place the instrument along with shock-absorbent material in the packaging. Place shock-absorbent material evenly on all sides of the transport packaging.
3. If possible, place a bag containing a desiccant inside the packaging.
4. Label the shipment as carriage of a highly sensitive measuring instrument.

EN



Information on returns can be found under the heading “Service” on our local website.

11.3 Disposal

Incorrect disposal can put the environment at risk.

Dispose of instrument components and packaging materials in an environmentally compatible way and in accordance with the country-specific waste disposal regulations.



Do not dispose of with household waste. Ensure a proper disposal in accordance with national regulations.

12. Specifications

12. Specifications

EN

Measuring element

Type of measuring element

Version 4 ... 20 mA
(model TR31-x-x-TT)

Pt1000
(measuring current < 0.3 mA; self-heating can be ignored)

Version Pt100 (model TR31-x-x-Px)/
Pt1000 (model TR31-x-x-Sx)

- Pt100 (measuring current: 0.1 ... 1.0 mA)
- Pt1000 (measuring current: 0.1 ... 0.3 mA)

→ For detailed specifications for Pt sensors, see Technical information IN 00.17 at www.wika.com.

Connection method

Version 4 ... 20 mA
(model TR31-x-x-TT)

2-wire

Version Pt100 (model TR31-x-x-Px)/
Pt1000 (model TR31-x-x-Sx)

- 2-wire
- 3-wire
- 4-wire

Tolerance value of the measuring element ¹⁾ per IEC 60751

Version 4 ... 20 mA
(model TR31-x-x-TT)

Class A

Version Pt100 (model TR31-x-x-Px)/
Pt1000 (model TR31-x-x-Sx)

- Class A
- Class B at 2-wire

Accuracy specifications (4 ... 20 mA version)

Tolerance value of the measuring element ¹⁾ per IEC 60751

Class A

Measuring deviation of the transmitter per IEC 62828

±0.25 K

Total measuring deviation per IEC 62828

Measuring deviation of the measuring element + transmitter

Influence of ambient temperature

0.1 % of the set measuring span / 10 K T_a

Influence of supply voltage

±0.025 % / V (depending on the supply voltage U_B)

Influence of load

±0.05 % / 100 Ω

12. Specifications

Accuracy specifications (4 ... 20 mA version)

Linearisation	Linear to temperature per IEC 60751
---------------	-------------------------------------

Output error	$\pm 0.1 \% ^2$
--------------	-----------------

Reference conditions

Ambient temperature T_a ref	23 °C
-------------------------------	-------

Supply voltage U_B ref	DC 12 V
--------------------------	---------

1) Depending on the process connection, the deviation can be bigger.

2) $\pm 0.2 \%$ for start of measuring range less than 0 °C [32 °F]

Example calculation: Total measuring deviation

(measuring range 0 ... 150 °C, load 200 Ω , supply voltage 16 V, ambient temperature 33 °C, process temperature 100 °C)

Sensor element (class A per IEC 60751: $0.15 + (0.0020(t))$): ± 0.350 K

Measuring deviation of the transmitter ± 0.25 K: ± 0.250 K

Output error $\pm (0.1 \% \text{ of } 150 \text{ K})$: ± 0.150 K

Influence of load $\pm (0.05 \% / 100 \Omega \text{ of } 150 \text{ K})$: ± 0.150 K

Influence of supply voltage $\pm (0.025 \% / V \text{ of } 150 \text{ K})$: ± 0.150 K

Influence of ambient temperature $\pm (0.1 \% / 10 K T_a \text{ of } 150 \text{ K})$: ± 0.150 K

Measuring deviation (typical)

$\text{sqrt}(0.35 K^2 + 0.25 K^2 + 0.15 K^2 + 0.15 K^2 + 0.15 K^2 + 0.15 K^2)$

$\text{sqrt}(0.275 K^2) = 0.524$ K

Measuring deviation (maximum)

$0.35 K + 0.25 K + 0.15 K + 0.15 K + 0.15 K + 0.15 K = 1.2$ K

12. Specifications

EN

Measuring range	
Temperature range	
Version 4 ... 20 mA (model TR31-x-x-TT)	Without neck tube -30 ... +150 °C [-22 ... +302 °F] With neck tube -30 ... +250 °C [-22 ... +482 °F] ^{1) 2)} Version with FKM O-ring: -20 ... +125 °C [-4 ... +257 °F]
Version Pt100 (model TR31-x-x-Px) / Pt1000 (model TR31-x-x-Sx)	Class A Without neck tube -30 ... +150 °C [-22 ... +302 °F] With neck tube -30 ... +250 °C [-22 ... +482 °F] ²⁾ Version with FKM O-ring: -20 ... +125 °C [-4 ... +257 °F]
	Class B Without neck tube -50 ... +150 °C [-58 ... +302 °F] With neck tube -50 ... +250 °C [-58 ... +482 °F] ²⁾
Unit (4 ... 20 mA version)	Configurable °C, °F, K
Temperature at the connector (Pt100, Pt1000 version)	Max. 85 °C [185 °F]
Measuring span (4 ... 20 mA version)	Minimum 20 K, maximum 300 K

1) The temperature transmitter should therefore be protected from temperatures over 85 °C [185 °F].

2) Version with mineral-insulated sheathed cable can be used up to 300 °C [572 °F].

Process connection	
Type of process connection	<ul style="list-style-type: none"> ■ G ¼ B ■ G ⅜ B ■ G ½ B ■ ¼ NPT ■ ½ NPT ■ M12 x 1.5 ■ M20 x 1.5 ■ 7/16-20 UNF-2A
Protection tube	
Protection tube diameter	<ul style="list-style-type: none"> ■ 3 mm [0.12 in] ■ 6 mm [0.24 in]

12. Specifications

EN

Process connection

Insertion length U_1	<ul style="list-style-type: none"> ■ 50 mm [1.97 in] ■ 75 mm [2.95 in] ¹⁾ ■ 100 mm [3.94 in] ¹⁾ ■ 120 mm [4.72 in] ¹⁾ ■ 150 mm [5.91 in] ¹⁾ ■ 200 mm [7.87 in] ¹⁾ ■ 250 mm [9.84 in] ¹⁾ ■ 300 mm [11.81 in] ¹⁾ ■ 350 mm [13.78 in] ¹⁾ ■ 400 mm [15.75 in] ¹⁾
	Other insertion lengths on request
Material (wetted)	Stainless steel 1.4571

1) Not for protection tube diameter 3 mm [0.12 in]

If the resistance thermometer is to be operated in an additional protection tube, a spring-loaded compression fitting must be used.

Output signal (4 ... 20 mA version)

Analogue output	4 ... 20 mA, 2-wire
Factory configuration	
Measuring range	0 ... 150 °C [32 ... 302 °F] Other measuring ranges are adjustable
Current values for error signalling	Configurable in accordance with NAMUR NE 043 downscale ≤ 3.6 mA upscale ≥ 21.0 mA
Current value for sensor short-circuit	Not configurable in accordance with NAMUR NE 043 downscale ≤ 3.6 mA
Communication	
Info data	TAG no., description and user message can be stored in transmitter
Configuration and calibration data	Permanently stored
Configuration software	WIKAsoft-TT → Configuration software (multilingual) as a download from www.wika.com

12. Specifications

EN

Output signal (4 ... 20 mA version)

Voltage supply

Supply voltage U_B	DC 10 ... 30 V
Supply voltage input	Protected against reverse polarity
Permissible residual ripple of supply voltage	10 % generated by $U_B < 3$ % ripple of the output current

Time response

Switch-on delay, electrical	Max. 4 s (time before the first measured value)
Warm-up time	After approx. 4 minutes, the instrument will function to the specifications (accuracy) given in the data sheet.

Operating conditions

Ambient temperature range

M12 x 1 circular connector (model TR31-3-x-xx)	
4 ... 20 mA version	-40 ... +85 °C [-40 ... +185 °F] Version with FKM O-ring: -20 °C [-4 °F]
Pt100 / Pt1000 version	-50 ... +85 °C [-58 ... +185 °F] Version with FKM O-ring: -20 °C [-4 °F]
Directly connected cable (model TR31-K-x-xx)	-20 ... +80 °C [-4 ... +176 °F]

Storage temperature range

M12 x 1 circular connector (model TR31-3-x-xx)	-40 ... +85 °C [-40 ... +185 °F] Version with FKM O-ring: -20 °C [-4 °F]
Directly connected cable (model TR31-K-x-xx)	-20 ... +80 °C [-4 ... +176 °F]

Climate class per IEC 60654-1

M12 x 1 circular connector (model TR31-3-x-xx)	
4 ... 20 mA version	Cx (-40 ... +85 °C [-40 ... +185 °F], 5 ... 95 % r. h.) Version with FKM O-ring: -20 °C [-4 °F]
Pt100 / Pt1000 version	Cx (-50 ... +85 °C [-58 ... +185 °F], 5 ... 95 % r. h.) Version with FKM O-ring: -20 °C [-4 °F]
Directly connected cable (model TR31-K-x-xx)	Cx (-20 ... +80 °C [-4 ... +176 °F], 5 ... 95 % r. h.) Version with FKM O-ring: -20 °C [-4 °F]

Maximum permissible humidity, condensation

100 % r. h., condensation allowed

12. Specifications

Operating conditions

Maximum operating pressure ^{1) 2)}

For protection tube Ø 3 mm [0.12 in] 140 bar [2,030 psi]

For protection tube Ø 6 mm [0.24 in] 270 bar [3,916 psi]

Salt mist IEC 60068-2-11

Vibration resistance per IEC 60751 10 ... 2,000 Hz, 20 g ¹⁾

Shock resistance per IEC 60068-2-27 50 g, 6 ms, 3 axes, 3 directions, three times per direction

Conditions for outdoor use (only applies to UL approval)

- The instrument is suitable for applications with pollution degree 3.
- The power supply must be suitable for operation above 2,000 m should the temperature transmitter be used at this altitude.
- The instrument shall be installed in locations sheltered from the weather.
- The instrument shall be installed sun/UV irradiation protected.

Material Stainless steel

Ingress protection (IP code)

Case with connected connector or directly connected cable ³⁾

- IP67 per IEC/EN 60529
- IP69 per IEC/EN 60529
- IP69K per ISO 20653

The stated ingress protection only applies when plugged in using line connectors that have the appropriate ingress protection.

Coupler connector, not connected IP67 per IEC/EN 60529

Weight Approx. 0.2 ... 0.7 kg [0.44 ... 1.54 lbs] - depending on version

1) Dependent on the instrument version

2) Reduced operating pressure when using a compression fitting:
Stainless steel = max. 100 bar [1,450 psi] / PTFE = max. 8 bar [116 psi]

3) Not tested with UL

12. Specifications

Patents/property rights

**M12 x 1 adapter to angular
connector DIN EN 175301-803**

No. 001370985

EN

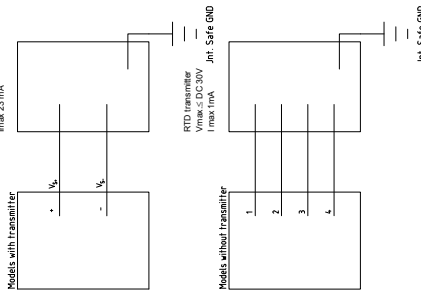
→ For further specifications see WIKA data sheet TE 60.31 and the order documentation.

Installation in ordinary locations

For information only, do not obligatory

Electrical ratings TR21-*, TR31-*, TR33-*

Class III equipment (4-20mA loop) supplied by a Class III supply (SELV or PELV)
 $V_{max} \leq$ DC 30 V
 $I_{max} \leq$ 23 mA



Warning - Refer to accompanying installation, operating & service instructions for safe and proper usage.

French warning text
 AVERTISSEMENT: Se référer aux instructions concernant l'installation, le fonctionnement et le service pour une utilisation sûre et correcte.

Notes:

- The power supply for the thermometer with built in transmitter must be made via a limited-energy electrical circuit in accordance with UL/EN/IEC 6010-1, or LPS according to UL/EN/IEC 60950-1, or (for North American class 2 in accordance with UL1310/UL1585 (NEC) or in accordance with CAN/CSA C22.2 No. 223-M91 (Class 2 Power Supplies) and CAN/CSA C22.2 No. 663-06 (Class 2/Class 3 Transformers). The power supply must be suitable for operation above 2,000 m if the thermometer should be used at this altitude
- No revision to this drawing without prior approval.

Inhalt

1. Allgemeines	38
2. Aufbau und Funktion	38
3. Sicherheit	42
4. Transport, Verpackung und Lagerung	46
5. Inbetriebnahme, Betrieb	47
6. Konfiguration	52
7. Konfigurationssoftware WIKAsoft-TT	54
8. Programmierereinheit PU-548 anschließen	56
9. Störungen	57
10. Wartung und Reinigung	59
11. Demontage, Rücksendung und Entsorgung	61
12. Technische Daten	63
Anlage: CSA control drawing	70

Konformitätserklärungen finden Sie online unter www.wika.de.

1. Allgemeines

- Das in der Betriebsanleitung beschriebene Widerstandsthermometer wird nach dem aktuellen Stand der Technik konstruiert und gefertigt. Alle Komponenten unterliegen während der Fertigung strengen Qualitäts- und Umweltkriterien. Unsere Managementsysteme sind nach ISO 9001 und ISO 14001 zertifiziert.
- Diese Betriebsanleitung gibt wichtige Hinweise zum Umgang mit dem Gerät. Voraussetzung für sicheres Arbeiten ist die Einhaltung aller angegebenen Sicherheitshinweise und Handlungsanweisungen.
- Die für den Einsatzbereich des Gerätes geltenden örtlichen Unfallverhütungsvorschriften und allgemeinen Sicherheitsbestimmungen einhalten.
- Das Fachpersonal muss die Betriebsanleitung vor Beginn aller Arbeiten sorgfältig durchgelesen und verstanden haben.
- Technische Änderungen vorbehalten.
- Weitere Informationen:
 - Internet-Adresse: www.wika.de / www.wika.com
 - zugehöriges Datenblatt: TE 60.31
 - Anwendungsberater: Tel.: +49 9372 132-0
Fax: +49 9372 132-406
info@wika.de

2. Aufbau und Funktion

2.1 Beschreibung

Das Widerstandsthermometer Typ TR31 besteht aus einem Schutzrohr mit festem Prozessanschluss und wird direkt in den Prozess eingeschraubt. Es ist stoß- und vibrationsfest aufgebaut und alle elektrischen Bauteile sind gegen Feuchtigkeit geschützt (IP67 bzw. IP69K). Die Vibrationsbeständigkeit entspricht der IEC 60751 (20 g, abhängig von der Geräteausführung). Die Stoßfestigkeit entspricht für alle Versionen den Anforderungen der IEC 60751.

2. Aufbau und Funktion

Insbesondere bei erhöhten Umgebungstemperaturen oder starker Schwingungsbelastung darauf achten, dass mechanische Belastungen am Stecker minimiert werden.

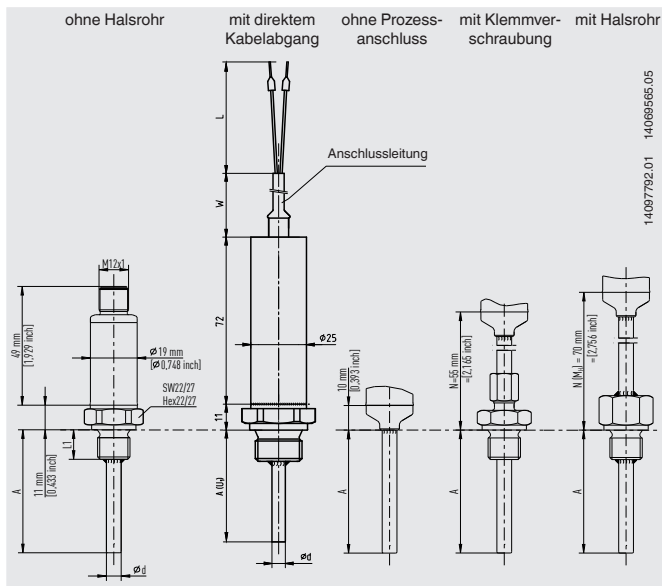
Die elektrische Kontaktierung erfolgt mit Rundstecker M12 x 1 oder über das direkt angeschlossene Kabel.

Für die Ausführung M12 x 1-Rundstecker ist optional ein Adapter zur Kontaktierung mit Winkelstecker gemäß DIN EN 175301-803 erhältlich.

DE

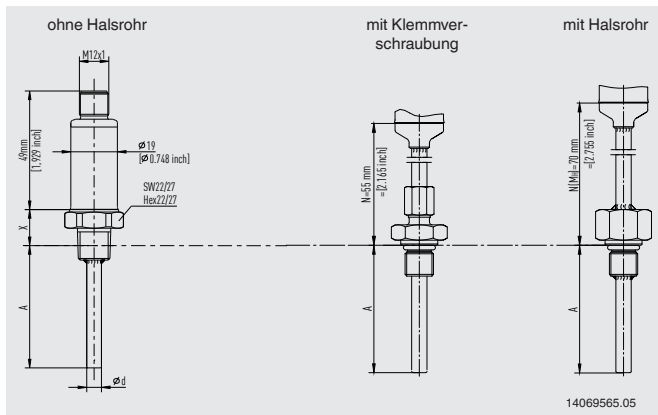
2.2 Abmessungen in mm

Prozessanschluss mit zylindrischem Gewinde (bzw. ohne Prozessanschluss)



2. Aufbau und Funktion

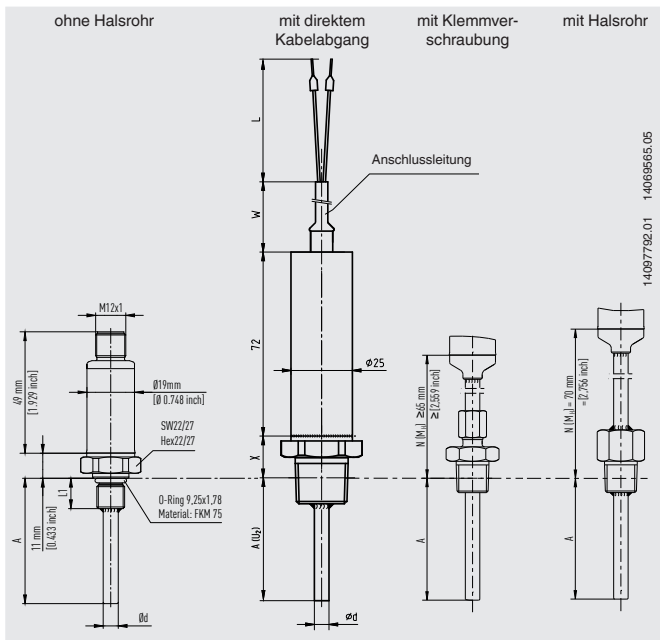
Prozessanschluss mit zylindrischem Gewinde (7/16-20 UNF-2A) und O-Ring



Den FKM O-Ring vor Temperaturen kleiner -20 °C [-4 °F] und größer 125 °C [257 °F] schützen.

2. Aufbau und Funktion

Prozessanschluss mit kegeligem Gewinde



14097792.01 14069665.05

DE

Bei Prozesstemperatur > 150 °C [302 °F] ist eine Halslänge N (MH) von 70 mm [2,76 in] erforderlich, ansonsten N (M_H) wählbar (55 mm [2,17 in], 65 mm [2,56 in] oder 70 mm [2,76 in]).

Legende:

- A (U₁) Einbaulänge (zylindrisches Gewinde)
- A (U₂) Einbaulänge (kegeliges Gewinde)
- N (M_H) Halslänge
- Ød Sensordurchmesser
- W Länge des direkt angeschlossenen Kabels
- L Länge der freien Litzen
- X Höhe Prozessanschluss
- 1/4 NPT = 15 mm [0,59 in]
- 1/2 NPT = 19 mm [0,75 in]

14096788.08 02/2022 EN/DE/FR/ES

2.3 Lieferumfang

Lieferumfang mit dem Lieferschein abgleichen.

DE

3. Sicherheit

3.1 Symbolerklärung



WARNUNG!

... weist auf eine möglicherweise gefährliche Situation hin, die zum Tod oder zu schweren Verletzungen führen kann, wenn sie nicht gemieden wird.



VORSICHT!

... weist auf eine möglicherweise gefährliche Situation hin, die zu geringfügigen oder leichten Verletzungen bzw. Sach- und Umweltschäden führen kann, wenn sie nicht gemieden wird.



GEFAHR!

... kennzeichnet Gefährdungen durch elektrischen Strom. Bei Nichtbeachtung der Sicherheitshinweise besteht die Gefahr schwerer oder tödlicher Verletzungen.



WARNUNG!

... weist auf eine möglicherweise gefährliche Situation hin, die durch heiße Oberflächen oder Flüssigkeiten zu Verbrennungen führen kann, wenn sie nicht gemieden wird.



Information

... hebt nützliche Tipps und Empfehlungen sowie Informationen für einen effizienten und störungsfreien Betrieb hervor.

3.2 Bestimmungsgemäße Verwendung

Das Widerstandsthermometer Typ TR31 wird als universelles Thermometer zum Messen von Temperaturen von $-50 \dots +150 \text{ }^{\circ}\text{C}$ [$-58 \dots +302 \text{ }^{\circ}\text{F}$] (ohne Halsrohr) und $-50 \dots +250 \text{ }^{\circ}\text{C}$ [$-58 \dots +482 \text{ }^{\circ}\text{F}$] (mit Halsrohr) in flüssigen und gasförmigen Medien verwendet. Die Ausführ-

nung mit mineralisierter Mantelleitung und Halsrohr erlaubt das Messen von Temperaturen bis 300 °C [572 °F]. Es ist einsetzbar für Drücke bis 140 bar [2.030 psi] bei Sensordurchmesser 3 mm [0,12 in] und bis 270 bar [3.916 psi] bei Sensordurchmesser 6 mm [0,24 in], abhängig von der Geräteausführung.

Das Gerät ist ausschließlich für den hier beschriebenen bestimmungsgemäßen Verwendungszweck konzipiert und konstruiert und darf nur dementsprechend verwendet werden.

Die technischen Spezifikationen in dieser Betriebsanleitung sind einzuhalten. Eine unsachgemäße Handhabung oder ein Betreiben des Gerätes außerhalb der technischen Spezifikationen macht die sofortige Stilllegung und Überprüfung durch einen autorisierten WIKA-Servicemitarbeiter erforderlich.

Ansprüche jeglicher Art aufgrund von nicht bestimmungsgemäßer Verwendung sind ausgeschlossen.

3.3 Verantwortung des Betreibers

Die Verantwortung für die Auswahl des Thermometers bzw. mehrteiligen Schutzrohres, sowie für deren Werkstoffauswahl zur Gewährleistung einer sicheren Funktion in der Anlage bzw. Maschine obliegt dem Betreiber. WIKA kann während der Angebotserstellung lediglich Empfehlungen aussprechen, die sich an unseren Erfahrungen in ähnlichen Applikationen orientieren.

Die Sicherheitshinweise dieser Betriebsanleitung, sowie die für den Einsatzbereich des Gerätes gültigen Sicherheits-, Unfallverhütungs- und Umweltschutzvorschriften einhalten.

Der Betreiber ist verpflichtet das Typenschild lesbar zu halten.

3. Sicherheit

3.4 Personalqualifikation



WARNUNG!

Verletzungsgefahr bei unzureichender Qualifikation!

Unsachgemäßer Umgang kann zu erheblichen Personen- und Sachschäden führen.

- ▶ Die in dieser Betriebsanleitung beschriebenen Tätigkeiten nur durch Fachpersonal nachfolgend beschriebener Qualifikation durchführen lassen.
- ▶ Unqualifiziertes Personal von den Gefahrenbereichen fernhalten.

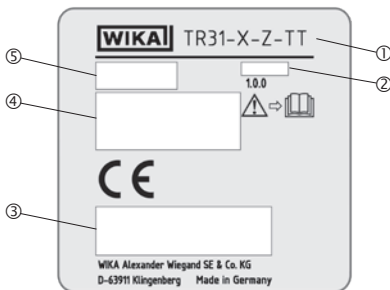
Elektrofachpersonal

Das Elektrofachpersonal ist aufgrund seiner fachlichen Ausbildung, Kenntnisse und Erfahrungen sowie Kenntnis der landesspezifischen Vorschriften, geltenden Normen und Richtlinien in der Lage, Arbeiten an elektrischen Anlagen auszuführen und mögliche Gefahren selbstständig zu erkennen und zu vermeiden. Das Elektrofachpersonal ist speziell für das Arbeitsumfeld, in dem es tätig ist, ausgebildet und kennt die relevanten Normen und Bestimmungen. Das Elektrofachpersonal muss die Bestimmungen der geltenden gesetzlichen Vorschriften zur Unfallverhütung erfüllen.

Spezielle Einsatzbedingungen verlangen weiteres entsprechendes Wissen, z. B. über aggressive Medien.

3.5 Beschilderung, Sicherheitskennzeichnungen

Typenschild (Beispiel)



- ① Typ
- ② Herstellungsdatum (Jahr-Monat)
- ③ Zulassungslogos
- ④ Angaben zur Ausführung (Messelement, Ausgangssignal, Messbereich...)
 - Thermometer mit Messumformer und Ausgangssignal 4 ... 20 mA
 - Thermometer mit direktem Sensorausgang mit Pt100 und Pt1000
- ⑤ Seriennummer, TAG-Nummer



Vor Montage und Inbetriebnahme des Gerätes unbedingt die Betriebsanleitung lesen!

4. Transport, Verpackung und Lagerung

4.1 Transport

Gerät auf eventuell vorhandene Transportschäden untersuchen. Offensichtliche Schäden unverzüglich mitteilen und beschädigte Geräte nicht verwenden.

DE



VORSICHT!

Beschädigungen durch unsachgemäßen Transport

Bei unsachgemäßem Transport können Sachschäden in erheblicher Höhe entstehen.

- ▶ Beim Abladen der Packstücke bei Anlieferung sowie innerbetrieblichem Transport vorsichtig vorgehen und die Symbole auf der Verpackung beachten.
- ▶ Bei innerbetrieblichem Transport die Hinweise unter Kapitel 4.2 „Verpackung und Lagerung“ beachten.

Wird das Gerät von einer kalten in eine warme Umgebung transportiert, so kann durch Kondensatbildung eine Störung der Gerätefunktion eintreten. Vor einer erneuten Inbetriebnahme die Angleichung der Gerätetemperatur an die Raumtemperatur abwarten.

4.2 Verpackung und Lagerung

Verpackung erst unmittelbar vor der Montage entfernen.

Die Verpackung aufbewahren, denn diese bietet bei einem Transport einen optimalen Schutz (z. B. wechselnder Einbauort, Reparatursendung).

Zulässige Bedingungen am Lagerort:

- Lagertemperatur:
 - M12 x 1-Rundstecker (4-polig): -40 ... +85 °C [-40 ... +185 °F]
 - Direkt angeschlossenes Kabel: -20 ... +80 °C [-4 ... +176 °F]
- Feuchtigkeit: 5 ... 95 % r. F.

Folgende Einflüsse vermeiden:

- Direktes Sonnenlicht oder Nähe zu heißen Gegenständen
- Mechanische Vibration, mechanischer Schock (hartes Aufstellen)
- Ruß, Dampf, Staub und korrosive Gase
- Explosionsgefährdete Umgebung, entzündliche Atmosphären

4. Transport ... / 5. Inbetriebnahme, Betrieb

Das Gerät in der Originalverpackung an einem Ort, der die oben gelisteten Bedingungen erfüllt, lagern. Wenn die Originalverpackung nicht vorhanden ist, dann das Gerät wie folgt verpacken und lagern:

1. Das Gerät in eine antistatische Plastikfolie einhüllen.
2. Das Gerät mit dem Dämmmaterial in der Verpackung platzieren.
3. Bei längerer Einlagerung (mehr als 30 Tage) einen Beutel mit Trocknungsmittel der Verpackung beilegen.

DE

5. Inbetriebnahme, Betrieb



WARNUNG!

Mechanische Belastungen der elektrischen Anschlüsse und der Gehäuse vermeiden. Alle Anschlüsse nur im drucklosen und abgekühlten Zustand öffnen.

Maximal zulässige Temperaturen:

Am Gehäuse mit Transmitter: 85 °C [185 °F]

Mit direkt angeschlossenenem Kabel: -20 ... +80 °C [-4 ... +176 °F]

Klasse A:

Ohne Halsrohr -30 ... +150 °C [-22 ... +302 °F]

Mit Halsrohr -30 ... +250 °C [-22 ... +482 °F] ¹⁾

Klasse B:

Ohne Halsrohr -50 ... +150 °C [-58 ... +302 °F]

Mit Halsrohr -50 ... +250 °C [-58 ... +482 °F] ¹⁾

1) Ausführung mit mineralisierter Mantelleitung einsetzbar bis 300 °C [572 °F].

5.1 Montage

Diese Widerstandsthermometer sind vorgesehen zum direkten Einschrauben in den Prozess. Einbaulänge sowie Strömungsgeschwindigkeit und Viskosität des Prozessmediums können sich reduzierend auf die max. Schutzrohrbelastung auswirken.

Das Gehäuse muss gegen elektromagnetische Felder und elektrostatistische Aufladungen geerdet werden. Es muss nicht gesondert an das Potentialausgleichssystem angeschlossen werden, wenn es fest und

5. Inbetriebnahme, Betrieb

gesicherten metallischen Kontakt mit dem Behälter oder dessen Konstruktionsteilen oder Rohrleitungen hat, sofern diese mit dem Potentialausgleichssystem verbunden sind.

DE

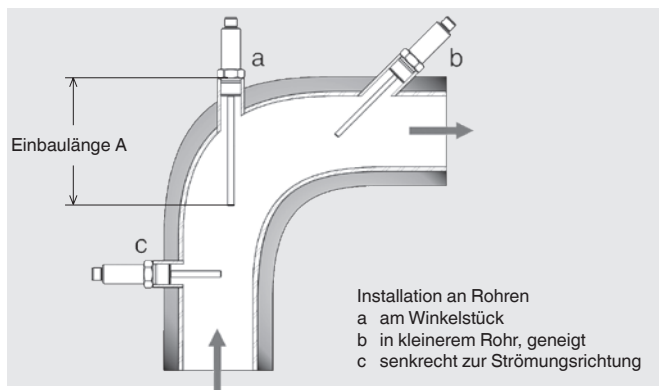
Bei einem nichtmetallischen Kontakt mit dem Behälter oder dessen Konstruktionsteilen bzw. Rohrleitungen muss das Gerät mit einem Potentialausgleich versehen werden.



WARNUNG!

Reparaturen sowie bauliche Veränderungen sind nicht zulässig und führen zur Erlöschung der Garantie.

Einbaubeispiele



Angaben zu den Einschraublöchern der DIN 3852 bzw. für NPT-Gewinde der ANSI B 1.20 entnehmen.

5. Inbetriebnahme, Betrieb

5.1.1 Anzugsdrehmomente für Klemmverschraubungen

Dichtung	Umdrehungen	Max. Druck in bar
Klemmring CrNi-Stahl	1 ¼ ... 1 ½	100
Schneidring CrNi-Stahl	1 ¼ ... 1 ½	100
Klemmring PTFE	1 ¼ ... 1 ½	8

DE

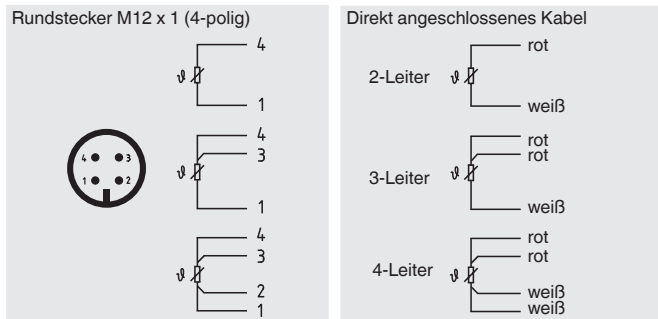
5.1.2 Anzugsdrehmoment für den M12-Gegenstecker oder den M12-Adapter

Anzugsdrehmoment von 0,6 Nm wählen.

5.2 Elektrischer Anschluss

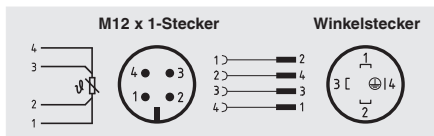
Der elektrische Anschluss erfolgt über den Rundstecker.

■ Ausgangssignal Pt100 und Pt1000 (Standard)



Alternative Anschlussbelegungen möglich.
Weitere Informationen siehe Bestellunterlagen.

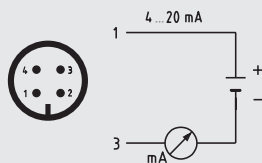
Zubehör: Pt-Adapter M12 x 1 zu Winkelstecker DIN EN 175301-803



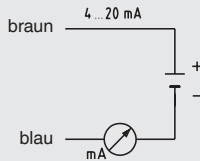
5. Inbetriebnahme, Betrieb

■ Ausgangssignal 4 ... 20 mA (Standard)

Rundstecker M12 x 1 (4-polig)



Direkt angeschlossenes Kabel



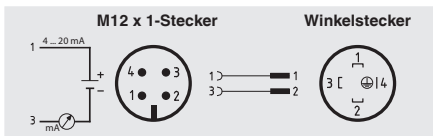
DE

Pin	Signal	Beschreibung
1	L+	10 ... 30 V
2	VQ	nicht angeschlossen
3	L-	0 V
4	C	nicht angeschlossen

Leiter	Signal	Beschreibung
Braun	L+	10 ... 30 V
Blau	L-	0 V

Alternative Anschlussbelegungen möglich.
Weitere Informationen siehe Bestellunterlagen.

Zubehör: Transmitter-Adapter M12 x 1 zu Winkelstecker DIN EN 175301-803



Anschlussbelegung Winkelstecker

Pin	Signal	Beschreibung
1	L+	10 ... 30 V
2	L-	0 V
3	VQ	nicht angeschlossen
4	C	nicht angeschlossen

5. Inbetriebnahme, Betrieb



GEFAHR!

Lebensgefahr durch elektrischen Strom

Bei Berührung mit spannungsführenden Teilen besteht unmittelbare Lebensgefahr.

- ▶ Einbau und Montage des Gerätes dürfen nur durch Fachpersonal erfolgen.
- ▶ Bei Betrieb mit einem defekten Netzgerät (z. B. Kurzschluss von Netzspannung zur Ausgangsspannung) können am Gerät lebensgefährliche Spannungen auftreten!
- ▶ Montagen im spannungslosen Zustand durchführen.

DE

Dies ist ein Betriebsmittel der Schutzklasse 3 zum Anschluss an Kleinspannungen, die von der Netzspannung oder Spannung größer AC 50 V bzw. DC 120 V getrennt sind. Zu bevorzugen ist ein Anschluss an SELV- oder PELV-Stromkreise; alternativ ist eine Schutzmaßnahme aus HD 60346-4-41 (DIN VDE 0100-410) zu empfehlen.

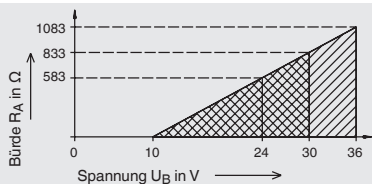
Alternativ für Nordamerika

Der Anschluss kann auch an „Class 2 Circuits“ oder „Class 2 Power Units“ gemäß CEC (Canadian Electrical Code) oder NEC (National Electrical Code) erfolgen.

Bürdendiagramm

Die zulässige Bürde hängt von der Spannung der Schleifenversorgung ab. Bei Kommunikation mit dem Gerät, mit Programmiereinheit PU-548, ist eine Bürde von maximal 350 Ω zulässig.

$R_A \leq (U_B - 10 \text{ V}) / 23 \text{ mA}$ mit R_A in Ω und U_B in V



5.3 Verhalten des elektrischen Ausgangssignals 4 ... 20 mA

■ Fühlerbruch und Kurzschluss

Fühlerbruch bzw. Kurzschluss werden nach sicherem Erkennen (nach ca. 1 Sekunde) signalisiert. Wird dieser Fehler jedoch durch eine Fehlfunktion verursacht, so muss für ebenfalls ca. 1 Sekunde ein relevantes Messsignal anliegen um wieder in den Messmodus zu gelangen. Ab dem Zeitpunkt der Erkennung bis zur Fehlersignalisierung wird der letzte relevante Messwert auf der Stromschleife ausgegeben.

Somit wird im Falle eines „wahren“ Fühlerbruches bzw. Kurzschlusses dieser auch dauerhaft signalisiert. Im Falle eines „falschen“ Fühlerbruches bzw. Kurzschlusses hat der Transmitter die Möglichkeit, wieder in den Messbetrieb zu gelangen.

■ Medientemperatur außerhalb der Spanne

Bei einer Überschreitung der im Transmitter konfigurierten Medientemperatur wird ein Fehler signalisiert.

6. Konfiguration

Das Konfigurieren erfolgt über die USB-Schnittstelle eines PC's via Programmierereinheit PU-548 (Zubehör, Bestell-Nr. 14231581). Mittels passendem Adapterkabel wird die Verbindung zum Thermometer hergestellt.

- Zubehör, M12 x 1-Rundstecker: Bestellnummer 14003193
- Zubehör, Krokodilklemmen für lose Anschlussdrähte: Bestellnummer 14097967

6. Konfiguration

Einstellbar sind Messbereich, Dämpfung, Fehlersignalisierung, TAG-Nr. sowie weitere Parameter, siehe Konfigurationssoftware.



- Einfache Bedienung
- LED-Statusanzeige
- Kompakte Bauform
- Keine zusätzliche Spannungsversorgung weder für die Programmierereinheit noch für den Transmitter notwendig

(ersetzt Programmierereinheit Typ PU-448)

Der Messbereich ist konfigurierbar zwischen $-50 \dots +250 \text{ }^{\circ}\text{C}$ [$-58 \dots +482 \text{ }^{\circ}\text{F}$]. Die Konfigurationssoftware überprüft den gewünschten Messbereich und akzeptiert nur zulässige Werte. Zwischenwerte sind konfigurierbar, die kleinste Schrittweite ist $0,1 \text{ }^{\circ}\text{C}$ oder $0,1 \text{ }^{\circ}\text{F}$. Ausgeliefert werden die Thermometer konfiguriert nach Kundenvorgabe im Rahmen der Konfigurationsmöglichkeiten.

Bitte beachten:

Der Messbereich des Thermometers wird begrenzt durch den Anwendungsbereich des Messelementes, nicht durch den Einstellbereich des Transmitters.

Maximal zulässige Temperaturen:

- Am Gehäuse mit Transmitter: $85 \text{ }^{\circ}\text{C}$ [$185 \text{ }^{\circ}\text{F}$]
- Mit direkt angeschlossenem Kabel: $-20 \dots +80 \text{ }^{\circ}\text{C}$ [$-4 \dots +176 \text{ }^{\circ}\text{F}$]
- Klasse A:
 - Ohne Halsrohr $-30 \dots +150 \text{ }^{\circ}\text{C}$ [$-22 \dots +302 \text{ }^{\circ}\text{F}$]
 - Mit Halsrohr $-30 \dots +250 \text{ }^{\circ}\text{C}$ [$-22 \dots +482 \text{ }^{\circ}\text{F}$]¹⁾
- Klasse B:
 - Ohne Halsrohr $-50 \dots +150 \text{ }^{\circ}\text{C}$ [$-58 \dots +302 \text{ }^{\circ}\text{F}$]
 - Mit Halsrohr $-50 \dots +250 \text{ }^{\circ}\text{C}$ [$-58 \dots +482 \text{ }^{\circ}\text{F}$]¹⁾

1) Ausführung mit mineralisolierter Mantelleitung einsetzbar bis $300 \text{ }^{\circ}\text{C}$ [$572 \text{ }^{\circ}\text{F}$].

7. Konfigurationssoftware WIKAsoft-TT

7. Konfigurationssoftware WIKAsoft-TT

Zur Installation den Anweisungen der Installationsroutine folgen.

7.1 Starten der Software

DE

Die Konfigurationssoftware mit einem Doppelklick auf das WIKAsoft-TT Icon starten.

Nach dem Starten der Software kann die Sprache über Auswahl der entsprechenden Länderflagge geändert werden.



Die Auswahl des COM-Ports erfolgt automatisch.

Nach dem Anschluss eines Transmitters (mit PU-548) kann durch Aktivieren des Start-Buttons die Konfigurationsoberfläche geladen werden.



Die Konfigurationsoberfläche kann nur mit einem angeschlossenen Gerät geladen werden.



7.2 Ablauf Konfiguration

Die Schritte 1 und 2 erfolgen beim Start der Software automatisch.

1. „Gerätedaten laden“
2. „Konfiguration laden“
3. [optional] Schreibschutz aufheben (Schlosssymbol unten rechts)
4. Ändern der gewünschten Parameter
→ Sensor/Messbereich/Fehlersignalisierung etc.
5. „In das Gerät speichern“
6. [optional] Schreibschutz aktivieren
7. [optional] Konfigurationsprotokoll ausdrucken
8. [optional] Test: „Konfiguration laden“ → Konfiguration überprüfen

7.3 Fehlerdiagnose

Hier wird im Fall eines „vom Transmitter detektierten Fehlers“ die Fehlermeldung angezeigt.

Beispiele: Sensorbruch, Zulässige Höchsttemperatur überschritten etc.
Im Betriebsfall wird hier „Kein Fehler - Kein Wartungsbedarf“ ausgegeben.

7.4 Messwerte

Linienstreiber – Hier wird der Messwertverlauf mit einer konstanten Abtastrate in einem definierten Zeitraster (180 Sekunden) und einer variablen Temperaturachse in Form eines Linienstreiber dargestellt. Die Anzeige dient rein zur Funktionsprüfung und zur Information. Ein Export der Daten ist nicht möglich.

7.5 Mehrere Geräte identisch konfigurieren

■ Erstes Gerät

1. „Konfiguration laden“
2. [optional] Schreibschutz aufheben (Schlosssymbol unten rechts)
3. Ändern der gewünschten Parameter
4. „In das Gerät speichern“
5. [optional] Schreibschutz aktivieren

■ Alle folgenden Geräte

1. „Gerätedaten laden“
2. [optional] Schreibschutz aufheben
3. [optional] Ändern der gewünschten Parameter, z. B. TAG-Nummer
4. „In das Gerät speichern“
5. [optional] Schreibschutz aktivieren

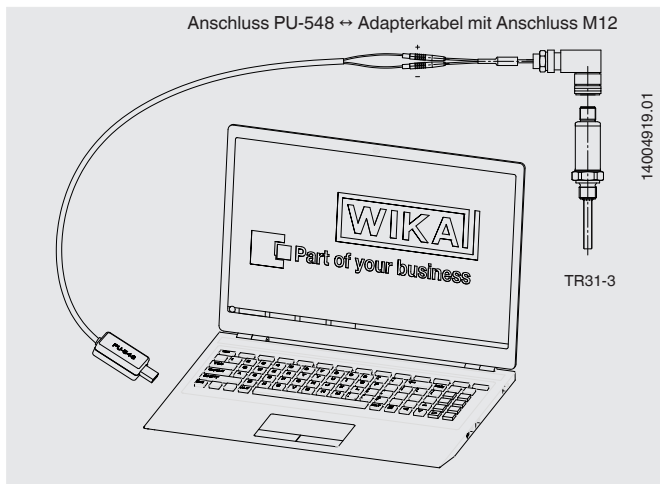
8. Programmierereinheit PU-548 anschließen



Für weitere Informationen siehe Kontaktdaten Kapitel 1 „Allgemeines“ oder Rückseite der Betriebsanleitung.

DE

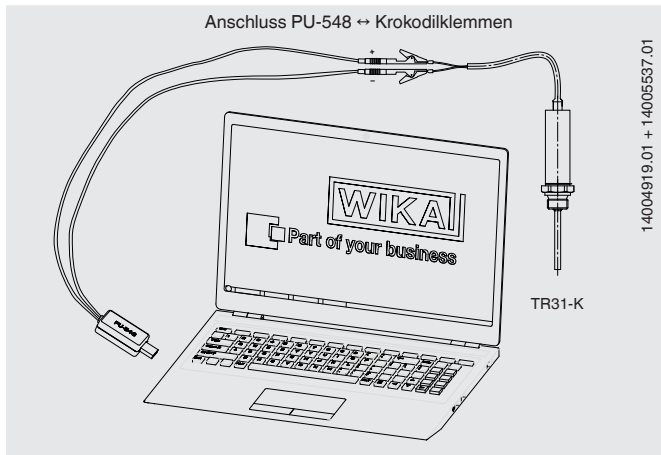
8. Programmierereinheit PU-548 anschließen



(Vorgängermodell, Programmierereinheit Typ PU-448, ebenfalls kompatibel)

14096788_08.02/2022 EN/DE/FR/ES

8. Programmierereinheit PU-548 ... / 9. Störungen



(Vorgängermodell, Programmierereinheit Typ PU-448, ebenfalls kompatibel)

9. Störungen



VORSICHT!

Körperverletzungen, Sach- und Umweltschäden

Können Störungen mit Hilfe der aufgeführten Maßnahmen nicht beseitigt

werden, Gerät unverzüglich außer Betrieb setzen.

- ▶ Sicherstellen, dass kein Druck bzw. Signal mehr anliegt und gegen versehentliche Inbetriebnahme schützen.
- ▶ Kontakt mit dem Hersteller aufnehmen.
- ▶ Bei notwendiger Rücksendung die Hinweise unter Kapitel 11.2 „Rücksendung“ beachten.

9. Störungen



WARNUNG!

Körperverletzungen, Sach- und Umweltschäden durch gefährliche Messstoffe

Bei Kontakt mit gefährlichen Messstoffen (z. B. Sauerstoff, Acetylen, brennbaren oder giftigen Stoffen), gesundheitsgefährdenden Messstoffen (z. B. ätzend, giftig, krebserregend, radioaktiv) sowie bei Kälteanlagen, Kompressoren besteht die Gefahr von Körperverletzungen, Sach- und Umweltschäden. Am Gerät können im Fehlerfall aggressive Messstoffe mit extremer Temperatur und unter hohem Druck oder Vakuum anliegen.

- ▶ Bei diesen Messstoffen müssen über die gesamten allgemeinen Regeln hinaus die einschlägigen Vorschriften beachtet werden.



Kontaktdaten siehe Kapitel 1 „Allgemeines“ oder Rückseite der Betriebsanleitung.

Störungen	Ursachen	Maßnahmen
Kein Signal/ Leitungsbruch	Zu hohe mechanische Belastung oder Übertemperatur	Ersatz des Fühlers durch eine geeignete Ausführung
Fehlerhafte Messwerte	Sensordrift durch Übertemperatur	Ersatz des Fühlers durch eine geeignete Ausführung
	Sensordrift durch chemischen Angriff	Medium analysieren
Fehlerhafte Messwerte (zu gering)	Feuchtigkeitseintritt am Kabel	Geeigneten IP-Schutz verwenden
Fehlerhafte Messwerte und zu lange Ansprechzeiten	Falsche Einbaugeometrie, z. B. zu geringe Einbautiefe oder zu hohe Wärmeableitung	Der temperaturempfindliche Bereich des Sensors muss innerhalb des Mediums liegen, Oberflächenmessungen müssen isoliert sein
	Ablagerungen auf dem Schutzrohr	Ablagerungen entfernen

9. Störungen / 10. Wartung und Reinigung

Störungen	Ursachen	Maßnahmen
Anzeige des Messwertes springt	Leistungsbruch im Anschlusskabel oder Wackelkontakt durch mechanische Überbelastung	Ersatz des Fühlers oder dickerer Leitungsquerschnitt
Korrosion	Zusammensetzung des Mediums nicht wie angenommen oder geändert	Medium analysieren
Signal gestört	Einstreuung durch elektrische Felder oder Erdschleifen	Verwendung von geschirmten Anschlussleitungen, Erhöhung des Abstandes zu Motoren und leistungsführenden Leitungen
	Erdschleifen	Beseitigung von Potentialen, Verwendung von galvanisch getrennten Speisetrennern oder Transmittern

DE

10. Wartung und Reinigung



Kontakt Daten siehe Kapitel 1 „Allgemeines“ oder Rückseite der Betriebsanleitung.

10.1 Wartung

Die hier beschriebenen Widerstandsthermometer sind wartungsfrei und enthalten keinerlei Bauteile, welche repariert oder ausgetauscht werden könnten.

10.2 Reinigung



VORSICHT!

Körperverletzungen, Sach- und Umweltschäden

Eine unsachgemäße Reinigung führt zu Körperverletzungen, Sach- und Umweltschäden. Messstoffreste im ausgebauten Gerät können zur Gefährdung von Personen, Umwelt und Einrichtung führen.

- ▶ Reinigungsvorgang wie folgt beschrieben durchführen.

- ▶ Vor der Reinigung das Gerät ordnungsgemäß trennen.
- ▶ Das Gerät mit einem feuchten Tuch reinigen.
- ▶ Elektrische Anschlüsse nicht mit Feuchtigkeit in Berührung bringen!



VORSICHT!

Beschädigung des Gerätes

Eine unsachgemäße Reinigung führt zur Beschädigung des Gerätes!

- ▶ Keine aggressiven Reinigungsmittel verwenden.
- ▶ Keine harten und spitzen Gegenstände zur Reinigung verwenden.

- ▶ Ausgebautes Gerät spülen bzw. säubern, um Personen und Umwelt vor Gefährdung durch anhaftende Messstoffreste zu schützen.

11. Demontage, Rücksendung und Entsorgung

11.1 Demontage



WARNUNG!

Körperverletzungen, Sach- und Umweltschäden durch Messstoffreste

Bei Kontakt mit gefährlichen Messstoffen (z. B. Sauerstoff, Acetylen, brennbaren oder giftigen Stoffen), gesundheitsgefährdenden Messstoffen (z. B. ätzend, giftig, krebserregend, radioaktiv) sowie bei Kälteanlagen, Kompressoren besteht die Gefahr von Körperverletzungen, Sach- und Umweltschäden.

- ▶ Vor der Einlagerung das ausgebaute Gerät (nach Betrieb) spülen bzw. säubern, um Personen und Umwelt vor Gefährdung durch anhaftende Messstoffreste zu schützen.
- ▶ Notwendige Schutzausrüstung verwenden (abhängig von der jeweiligen Applikation; Das Thermometer selbst ist prinzipiell ungefährlich.).
- ▶ Angaben im Sicherheitsdatenblatt für den entsprechenden Messstoff beachten.

Widerstandsthermometer nur im drucklosen Zustand demontieren!



WARNUNG!

Verbrennungsgefahr

Beim Ausbau besteht Gefahr durch austretende, gefährlich heiße Messstoffe.

- ▶ Vor dem Ausbau das Gerät ausreichend abkühlen lassen!

11.2 Rücksendung

Beim Versand des Gerätes unbedingt beachten:

Alle an WIKA gelieferten Geräte müssen frei von Gefahrstoffen (Säuren, Laugen, Lösungen, etc.) sein.

Zur Rücksendung des Gerätes die Originalverpackung oder eine geeignete Transportverpackung verwenden.

11. Demontage, Rücksendung und Entsorgung

Um Schäden zu vermeiden:

1. Das Gerät in eine antistatische Plastikfolie einhüllen.
2. Das Gerät mit dem Dämmmaterial in der Verpackung platzieren.
Zu allen Seiten der Transportverpackung gleichmäßig dämmen.
3. Wenn möglich einen Beutel mit Trocknungsmittel der Verpackung beifügen.
4. Sendung als Transport eines hochempfindlichen Messgerätes kennzeichnen.

DE



Hinweise zur Rücksendung befinden sich in der Rubrik „Service“ auf unserer lokalen Internetseite.

11.3 Entsorgung

Durch falsche Entsorgung können Gefahren für die Umwelt entstehen. Gerätekomponten und Verpackungsmaterialien entsprechend den landesspezifischen Abfallbehandlungs- und Entsorgungsvorschriften umweltgerecht entsorgen.



Nicht mit dem Hausmüll entsorgen. Für eine geordnete Entsorgung gemäß nationaler Vorgaben sorgen.

12. Technische Daten

12. Technische Daten

Messelement

Art des Messelementes

Ausführung 4 ... 20 mA
(Typ TR31-x-x-TT)

Pt1000 (Messstrom < 0,3 mA;
Eigenerwärmung kann vernachlässigt
werden)

Ausführung Pt100 (Typ TR31-x-x-Px) /
Pt1000 (Typ TR31-x-x-Sx)

■ Pt100 (Messstrom 0,1 ... 1,0 mA)
■ Pt1000 (Messstrom 0,1 ... 0,3 mA)

→ Detaillierte Angaben zu Pt-Senso-
ren siehe Technische Information
IN 00.17 unter www.wika.de.

Schaltungsart

Ausführung 4 ... 20 mA
(Typ TR31-x-x-TT)

2-Leiter

Ausführung Pt100 (Typ TR31-x-x-Px)/
Pt1000 (Typ TR31-x-x-Sx)

■ 2-Leiter
■ 3-Leiter
■ 4-Leiter

Grenzabweichung des Messelementes ¹⁾ nach IEC 60751

Ausführung 4 ... 20 mA
(Typ TR31-x-x-TT)

Klasse A

Ausführung Pt100 (Typ TR31-x-x-Px) /
Pt1000 (Typ TR31-x-x-Sx)

■ Klasse A
■ Klasse B bei 2-Leiter

Genauigkeitsangaben (Ausführung 4 ... 20 mA)

Grenzabweichung des Messelemen- tes ¹⁾ nach IEC 60751

Klasse A

Messabweichung des Messumfor- mers nach IEC 62828

±0,25 K

Gesamtmessabweichung nach IEC 62828

Messabweichung des Messelementes
+ des Messumformers

Einfluss der Umgebungstemperatur

0,1 % der eingestellten Messspanne /
10 K T_a

Einfluss der Hilfsenergie

±0,025 % / V (abhängig von der
Hilfsenergie U_B)

Einfluss der Bürde

±0,05 % / 100 Ω

DE

12. Technische Daten

Genauigkeitsangaben (Ausführung 4 ... 20 mA)

Linearisierung	Temperaturlinear nach IEC 60751
----------------	---------------------------------

Ausgangsfehler	$\pm 0,1 \% ^2$
----------------	-----------------

Referenzbedingungen

Umgebungstemperatur T_a ref	23 °C
-------------------------------	-------

Hilfsenergie U_B ref	DC 12 V
------------------------	---------

DE

1) Je nach Prozessanschluss kann die Abweichung größer ausfallen.

2) $\pm 0,2 \%$ bei Messbereichsanfang kleiner 0 °C [32 °F]

Beispielrechnung: Gesamtmessabweichung

(Messbereich 0 ... 150 °C, Bürde 200 Ω , Hilfsenergie 16 V, Umgebungstemperatur 33 °C, Prozesstemperatur 100 °C)

Sensorelement (Klasse A, IEC 60751: $0,15 + (0,0020(t))$): $\pm 0,350$ K

Messabweichung des Messumformers $\pm 0,25$ K: $\pm 0,250$ K

Ausgangsfehler $\pm(0,1 \% \text{ von } 150 \text{ K})$: $\pm 0,150$ K

Bürdeneinfluss $\pm(0,05 \% / 100 \Omega \text{ von } 150 \text{ K})$: $\pm 0,150$ K

Einfluss der Hilfsenergie $\pm(0,025 \% / V \text{ von } 150 \text{ K})$: $\pm 0,150$ K

Einfluss der Umgebungstemperatur

$\pm(0,1 \% / 10 \text{ K } T_a \text{ von } 150 \text{ K})$: $\pm 0,150$ K

Messabweichung (typisch)

$\text{sqrt}(0,35 \text{ K}^2 + 0,25 \text{ K}^2 + 0,15 \text{ K}^2 + 0,15 \text{ K}^2 + 0,15 \text{ K}^2 + 0,15 \text{ K}^2)$

$\text{sqrt}(0,275 \text{ K}^2) = 0,524 \text{ K}$

Messabweichung (maximal)

$0,35 \text{ K} + 0,25 \text{ K} + 0,15 \text{ K} + 0,15 \text{ K} + 0,15 \text{ K} + 0,15 \text{ K} = 1,2 \text{ K}$

12. Technische Daten

DE

Messbereich	
Temperaturbereich	
Ausführung 4 ... 20 mA (Typ TR31-x-x-TT)	Ohne Halsrohr -30 ... +150 °C [-22 ... +302 °F] Mit Halsrohr -30 ... +250 °C [-22 ... +482 °F] ^{1) 2)} Ausführung mit FKM O-Ring: -20 ... +125 °C [-4 ... +257 °F]
Ausführung Pt100 (Typ TR31-x-x-Px) / Pt1000 (Typ TR31-x-x-Sx)	Klasse A Ohne Halsrohr -30 ... +150 °C [-22 ... +302 °F] Mit Halsrohr -30 ... +250 °C [-22 ... +482 °F] ²⁾ Ausführung mit FKM O-Ring: -20 ... +125 °C [-4 ... +257 °F]
	Klasse B Ohne Halsrohr -50 ... +150 °C [-58 ... +302 °F] Mit Halsrohr -50 ... +250 °C [-58 ... +482 °F] ²⁾
Einheit (Ausführung 4 ... 20 mA)	Konfigurierbar °C, °F, K
Temperatur am Stecker (Ausführung Pt100, Pt1000)	Max. 85 °C [185 °F]
Messspanne (Ausführung 4 ... 20 mA)	Minimal 20 K, maximal 300 K

- 1) Den Temperaturtransmitter dabei vor Temperaturen über 85 °C [185 °F] schützen.
- 2) Ausführung mit mineralisolierter Mantelleitung einsetzbar bis 300 °C [572 °F].

Prozessanschluss	
Art des Prozessanschlusses	<ul style="list-style-type: none"> ■ G ¼ B ■ G ⅜ B ■ G ½ B ■ ¼ NPT ■ ½ NPT ■ M12 x 1,5 ■ M20 x 1,5 ■ 7/16-20 UNF-2A
Mehrteiliges Schutzrohr	
Schutzrohrdurchmesser	<ul style="list-style-type: none"> ■ 3 mm [0,12 in] ■ 6 mm [0,24 in]

12. Technische Daten

DE

Prozessanschluss

Einbaulänge U ₁	<ul style="list-style-type: none">■ 50 mm [1,97 in]■ 75 mm [2,95 in] ¹⁾■ 100 mm [3,94 in] ¹⁾■ 120 mm [4,72 in] ¹⁾■ 150 mm [5,91 in] ¹⁾■ 200 mm [7,87 in] ¹⁾■ 250 mm [9,84 in] ¹⁾■ 300 mm [11,81 in] ¹⁾■ 350 mm [13,78 in] ¹⁾■ 400 mm [15,75 in] ¹⁾
	Weitere Einbaulängen auf Anfrage
Werkstoff (messstoffberührt)	CrNi-Stahl 1.4571

1) Nicht bei Schutzrohrdurchmesser 3 mm [0,12 in]

Soll das Widerstandsthermometer in einem zusätzlichen Schutzrohr betrieben werden, muss eine gefederte Klemmverschraubung verwendet werden.

Ausgangssignal (Ausführung 4 ... 20 mA)

Analogausgang	4 ... 20 mA, 2-Draht
Werkskonfiguration	
Messbereich	0 ... 150 °C [32 ... 302 °F] Andere Messbereiche sind einstellbar
Stromwerte für Fehlersignali- sierung	Konfigurierbar nach NAMUR NE 043 zusteuernd ≤ 3,6 mA aufsteuernd ≥ 21,0 mA
Stromwert für Fühlerkurzschluss	Nicht konfigurierbar nach NAMUR NE 043 zusteuernd ≤ 3,6 mA
Kommunikation	
Info-Daten	TAG-Nr., Beschreibung und Anwender- nachricht im Transmitter speicherbar
Konfigurations- und Kalibrie- rungsdaten	Dauerhaft gespeichert
Konfigurationssoftware	WIKAsoft-TT → Konfigurationssoftware (mehrsprachig) als Download von www.wika.de

12. Technische Daten

DE

Ausgangssignal (Ausführung 4 ... 20 mA)

Spannungsversorgung

Hilfsenergie U_B	DC 10 ... 30 V
Hilfsenergieeingang	Geschützt gegen Verpolung
Zulässige Restwelligkeit der Hilfsenergie	10 % von U_B erzeugt < 3 % Welligkeit des Ausgangsstromes

Zeitverhalten

Einschaltverzögerung, elektrisch	Max. 4 s (Zeit bis zum ersten Messwert)
Aufwärmzeit	Nach ca. 4 Minuten werden die im Datenblatt angegebenen technischen Daten (Genauigkeit) erreicht.

Einsatzbedingungen

Umgebungstemperaturbereich

M12 x 1-Rundstecker (Typ TR31-3-x-xx)	
Ausführung 4 ... 20 mA	-40 ... +85 °C [-40 ... +185 °F] Ausführung mit FKM O-Ring: -20 °C [-4 °F]
Ausführung Pt100 / Pt1000	-50 ... +85 °C [-58 ... +185 °F] Ausführung mit FKM O-Ring: -20 °C [-4 °F]
Direkt angeschlossenes Kabel (Typ TR31-K-x-xx)	-20 ... +80 °C [-4 ... +176 °F]

Lagertemperaturbereich

M12 x 1-Rundstecker (Typ TR31-3-x-xx)	-40 ... +85 °C [-40 ... +185 °F] Ausführung mit FKM O-Ring: -20 °C [-4 °F]
Direkt angeschlossenes Kabel (Typ TR31-K-x-xx)	-20 ... +80 °C [-4 ... +176 °F]

Klimaklasse nach IEC 60654-1

M12 x 1-Rundstecker (Typ TR31-3-x-xx)	
Ausführung 4 ... 20 mA	Cx (-40 ... +85 °C [-40 ... +185 °F], 5 ... 95 % r. F.) Ausführung mit FKM O-Ring: -20 °C [-4 °F]
Ausführung Pt100 / Pt1000	Cx (-50 ... +85 °C [-58 ... +185 °F], 5 ... 95 % r. F.) Ausführung mit FKM O-Ring: -20 °C [-4 °F]
Direkt angeschlossenes Kabel (Typ TR31-K-x-xx)	Cx (-20 ... +80 °C [-4 ... +176 °F], 5 ... 95 % r. F.) Ausführung mit FKM O-Ring: -20 °C [-4 °F]

Maximal zulässige Feuchte, Betauung

100 % r. F., Betauung zulässig

12. Technische Daten

Einsatzbedingungen

Maximaler Betriebsdruck ^{1) 2)}	
Bei Schutzrohr-Ø 3 mm [0,12 in]	140 bar [2.030 psi]
Bei Schutzrohr-Ø 6 mm [0,24 in]	270 bar [3.916 psi]
Salznebel	IEC 60068-2-11
Schwingungsbständigkeit nach IEC 60751	10 ... 2.000 Hz, 20 g ¹⁾
Schockfestigkeit nach IEC 60068-2-27	50 g, 6 ms, 3 Achsen, 3 Richtungen, 3-mal je Richtung
Bedingungen bei Verwendung im Außenbereich (betrifft nur UL-Zulassung)	<ul style="list-style-type: none"> ■ Das Gerät eignet sich für Anwendungen mit Verschmutzungsgrad 3. ■ Die Stromversorgung muss für den Betrieb oberhalb 2.000 m geeignet sein, falls der Temperaturtransmitter ab dieser Höhe verwendet wird. ■ Gerät in witterungsgeschützten Standorten einbauen. ■ Gerät gegen Sonnen-/UV-Strahlung geschützt einbauen.
Werkstoff	CrNi-Stahl
Schutzart (IP-Code)	
Gehäuse mit gestecktem Stecker oder direkt angeschlossenem Kabel ³⁾	<ul style="list-style-type: none"> ■ IP67 nach IEC/EN 60529 ■ IP69 nach IEC/EN 60529 ■ IP69K nach ISO 20653 <p>Die angegebenen Schutzarten gelten nur im gesteckten Zustand mit Leitungssteckern entsprechender Schutzart.</p>
Anschlussstecker ungesteckt	IP67 nach IEC/EN 60529
Gewicht	Ca. 0,2 ... 0,7 kg [0,44 ... 1,54 lbs] - je nach Ausführung

1) Abhängig von der Geräteausführung

2) Reduzierter Betriebsdruck bei Verwendung einer Klemmverschraubung:
CrNi-Stahl = max. 100 bar [1.450 psi] / PTFE = max. 8 bar [116 psi]

3) Nicht getestet bei UL

12. Technische Daten

Patente/Schutzrechte

Adapter M12 x 1 zu Winkelstecker DIN EN 175301-803

Nr. 001370985

→ Weitere technische Daten siehe WIKA-Datenblatt TE 60.31 und Bestellunterlagen.

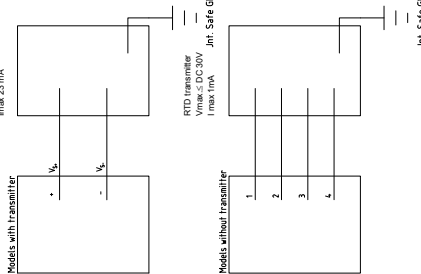
DE

Installation in ordinary locations

For information only, do not obligatory

Electrical ratings TR21-*, TR31-*, TR33-Z*

Class III equipment (4-20mA loop) supplied by a Class III supply (SELV or PELV)
 $V_{max} \leq DC 30 V$
 $I_{max} 23 mA$



Warning - Refer to accompanying installation, operating & service instructions for safe and proper usage.

French warning text
 AVERTISSEMENT: Se référer aux instructions concernant l'installation, le fonctionnement et le service pour une utilisation sûre et correcte.

Notes:

- The power supply for the thermometer with built in transmitter must be made via a limited-energy electrical circuit in accordance with UL/EN/IEC 6010-1, or LPS according to UL/EN/IEC 60950-1, or (for North American class 2 in accordance with UL1310/UL1585 (NEC) or in accordance with CAN/CSA C22.2 No. 223-M91 (Class 2 Power Supplies) and CAN/CSA C22.2 No. 663-06 (Class 2/Class 3 Transformers). The power supply must be suitable for operation above 2,000 m if the thermometer should be used at this altitude
- No revision to this drawing without prior approval.

Sommaire

1. Généralités	72
2. Conception et fonction	72
3. Sécurité	76
4. Transport, emballage et stockage	80
5. Mise en service, utilisation	81
6. Configuration	86
7. Logiciel de configuration WIKAsoft-TT	88
8. Raccordement de l'unité de programmation PU-548	90
9. Dysfonctionnements	91
10. Entretien et nettoyage	93
11. Démontage, retour et mise au rebut	95
12. Spécifications	97
Annexe : CSA control drawing	104

Déclarations de conformité disponibles sur www.wika.fr.

1. Généralités / 2. Conception et fonction

1. Généralités

- La sonde à résistance décrite dans le mode d'emploi est conçue et fabriquée selon les dernières technologies en vigueur. Tous les composants sont soumis à des critères de qualité et d'environnement stricts durant la fabrication. Nos systèmes de gestion sont certifiés selon ISO 9001 et ISO 14001.
- Ce mode d'emploi donne des indications importantes concernant l'utilisation de l'instrument. Il est possible de travailler en toute sécurité avec ce produit en respectant toutes les consignes de sécurité et d'utilisation.
- Respecter les prescriptions locales de prévention contre les accidents et les prescriptions générales de sécurité en vigueur pour le domaine d'application de l'instrument.
- Le personnel qualifié doit, avant de commencer toute opération, avoir lu soigneusement et compris le mode d'emploi.
- Sous réserve de modifications techniques.
- Pour obtenir d'autres informations :
 - Consulter notre site Internet : www.wika.fr
 - Fiche technique correspondante : TE 60.31
 - Conseiller applications : Tel. : 0 820 95 10 10 (0,15 €/min)
info@wika.fr

FR

2. Conception et fonction

2.1 Description

La sonde à résistance TR31 est constituée d'un doigt de gant avec un raccord process fixe et est vissée directement dans le process. Elle est conçue de manière à résister aux chocs et vibrations, et tous les composants électriques sont protégés contre l'humidité (IP67 ou IP69K). La résistance aux vibrations est conforme à la norme CEI 60751 (20 g, en fonction de la version de l'instrument). La résistance aux chocs de l'ensemble des versions remplit les exigences de la norme CEI 60751.

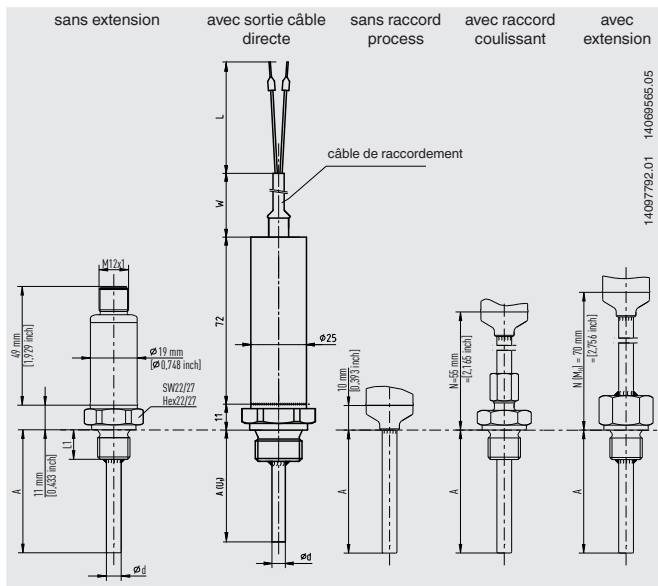
2. Conception et fonction

Surtout dans le cas de températures ambiantes élevées ou de fortes vibrations, veillez à ce que les charges mécaniques au niveau du connecteur soient minimisées. Le raccordement électrique s'effectue à l'aide d'un connecteur circulaire M12 x 1 ou par le câble directement connecté.

Un adaptateur pour le raccordement électrique avec connecteur coudé selon DIN EN 175301-803 est disponible en option pour la version avec connecteur circulaire M12 x 1.

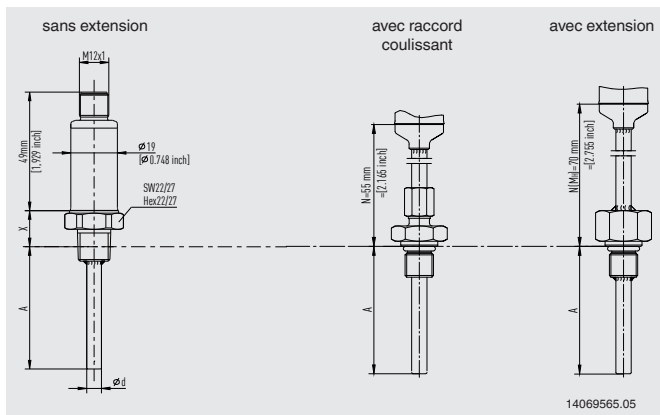
2.2 Dimensions en mm

Raccord process avec filetage parallèle (ou sans raccord process)



2. Conception et fonction

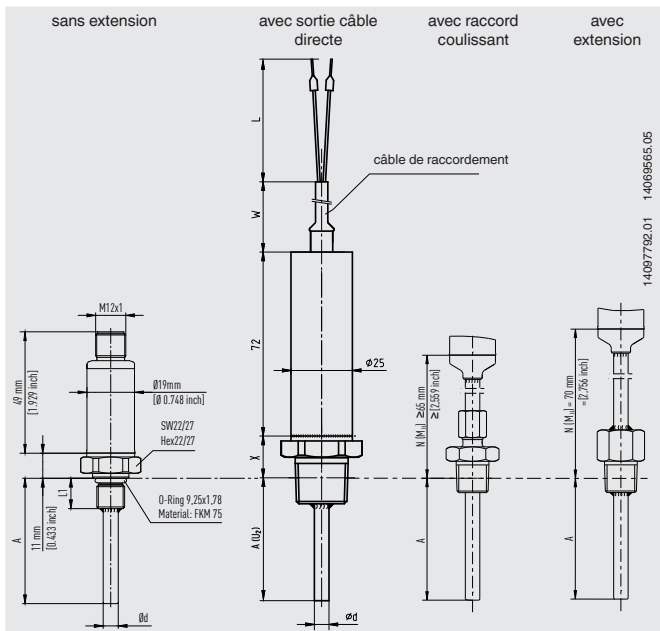
Raccord process avec filetage parallèle (7/16-20 UNF-2A) et joint torique



Le joint torique FKM doit être protégé contre des températures inférieures à -20°C [-4°F] et supérieures à 125°C [257°F].

2. Conception et fonction

Raccord process avec filetage conique



14097792.01 14069665.05

FR

A une température de process $> 150\text{ }^{\circ}\text{C}$ [$302\text{ }^{\circ}\text{F}$], une longueur d'extension N (M_H) de 70 mm [2,76 in] est nécessaire, sinon N (M_H) sélectionnable (55 mm [2,17 in], 65 mm [2,56 in] ou 70 mm [2,76 in]).

Légende:

- A (U_1) Longueur utile (filetage parallèle)
- A (U_2) Longueur utile (filetage conique)
- N (M_H) Longueur extension
- $\varnothing d$ Diamètre du capteur
- W Longueur du câble directement connecté
- L Longueur des fils nus
- X Hauteur du raccord process
- 1/4 NPT = 15 mm [0,59 in]
- 1/2 NPT = 19 mm [0,75 in]

14096788.08 02/2022 EN/D/FR/ES

2. Conception et fonction / 3. Sécurité

2.3 Détail de la livraison

Comparer le détail de la livraison avec le bordereau de livraison.

3. Sécurité

3.1 Explication des symboles

FR



AVERTISSEMENT !

... indique une situation présentant des risques susceptibles de provoquer la mort ou des blessures graves si elle n'est pas évitée.



ATTENTION !

... indique une situation potentiellement dangereuse et susceptible de provoquer de légères blessures ou des dommages matériels et pour l'environnement si elle n'est pas évitée.



DANGER !

... indique les dangers liés au courant électrique. Danger de blessures graves ou mortelles en cas de non respect des consignes de sécurité.



AVERTISSEMENT !

... indique une situation présentant des risques susceptibles de provoquer des brûlures dues à des surfaces ou liquides chauds si elle n'est pas évitée.



Information

... met en exergue des conseils et recommandations utiles de même que des informations permettant d'assurer un fonctionnement efficace et normal.

3.2 Utilisation conforme à l'usage prévu

La sonde à résistance de type TR31 est à usage général et permet de mesurer des températures allant de -50 ... +150 °C [-58 ... +302 °F] (sans extension) et de -50 ... +250 °C [-58 ... +482 °F] (avec extension) dans un

3. Sécurité

processus liquide et gazeux. La version avec câble sous gaine à isolation minérale et col permet de mesurer des températures allant jusqu'à 300 °C [572 °F]. Elle peut être utilisée pour des pressions allant jusqu'à 140 bar [2.030 psi] avec un diamètre de capteur de 3 mm [0,12 in] et jusqu'à 270 bar [3.916 psi] avec un diamètre de capteur de 6 mm [0,24 in], en fonction de la version de l'instrument.

L'instrument est conçu et construit exclusivement pour une utilisation conforme à l'usage prévu décrit ici et ne doit être utilisé qu'en conséquence.

FR

Les spécifications techniques mentionnées dans ce mode d'emploi doivent être respectées. En cas d'utilisation inadéquate ou de fonctionnement de l'instrument en dehors des spécifications techniques, un arrêt et contrôle doivent être immédiatement effectués par un collaborateur autorisé du service de WIKA.

Aucune réclamation ne peut être recevable en cas d'utilisation non conforme à l'usage prévu.

3.3 Responsabilité de l'opérateur

L'opérateur du système est responsable du choix du thermomètre ou du tube de protection, et aussi du choix de leurs matériaux pour garantir le fonctionnement en toute sécurité sur l'installation ou la machine. En soumettant une offre, WIKA peut seulement donner des recommandations fondées sur notre expérience dans des applications similaires.

Les instructions de sécurité de ce mode d'emploi comme les réglementations liées à la sécurité, à la prévention des accidents et à la protection de l'environnement pour le domaine d'application doivent être respectées.

L'opérateur doit s'assurer que l'étiquette du produit reste lisible.

3.4 Qualification du personnel



AVERTISSEMENT !

Danger de blessure en cas de qualification insuffisante !

Une utilisation non conforme peut entraîner d'importants dommages corporels et matériels.

- ▶ Les opérations décrites dans ce mode d'emploi ne doivent être effectuées que par un personnel ayant la qualification décrite ci-après.
- ▶ Tenir le personnel non qualifié à l'écart des zones dangereuses.

Electricien qualifié

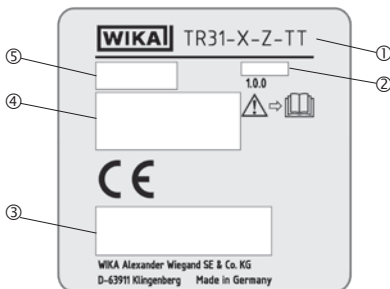
L'électricien qualifié est, en raison de sa formation spécialisée, de ses connaissances et de ses expériences de même que de sa connaissance des prescriptions nationales, des normes et directives en vigueur, en mesure d'effectuer les travaux sur les montages électriques, de reconnaître automatiquement les dangers potentiels et de les éviter. L'électricien qualifié est formé spécialement pour le domaine d'action dans lequel il est formé et connaît les normes et dispositions importantes. L'électricien qualifié doit satisfaire aux dispositions des prescriptions juridiques en vigueur relatives à la protection contre les accidents.

Les conditions d'utilisation spéciales exigent également une connaissance adéquate par exemple des liquides agressifs.

3. Sécurité

3.5 Etiquetage, marquages de sécurité

Plaque signalétique (exemple)



FR

- ① Type
- ② Date de fabrication (Mois-Année)
- ③ Logos d'agrément
- ④ Informations concernant la version (élément de mesure, signal de sortie, étendue de mesure ...)
 - Sonde avec transmetteur et signal de sortie 4 ... 20 mA
 - Thermomètre avec sortie capteur directe avec Pt100 et Pt1000
- ⑤ Numéro de série, n° d'étiquette



Lire impérativement le mode d'emploi avant le montage et la mise en service de l'instrument !

4. Transport, emballage et stockage

4. Transport, emballage et stockage

4.1 Transport

Vérifier s'il existe des dégâts sur l'instrument liés au transport.

Communiquer immédiatement les dégâts constatés et ne pas utiliser les instruments endommagés.

FR



ATTENTION !

Dommages liés à un transport inapproprié

Un transport inapproprié peut donner lieu à des dommages importants.

- ▶ Lors du déchargement des colis à la livraison comme lors du transport des colis en interne après réception, il faut procéder avec soin et observer les consignes liées aux symboles figurant sur les emballages.
- ▶ Lors du transport en interne après réception, observer les instructions du chapitre 4.2 "Emballage et stockage".

Si l'instrument est transporté d'un environnement froid dans un environnement chaud, la formation de condensation peut provoquer un dysfonctionnement fonctionnel de l'instrument. Il est nécessaire d'attendre que la température de l'instrument se soit adaptée à la température ambiante avant une nouvelle mise en service.

4.2 Emballage et stockage

N'enlever l'emballage qu'avant le montage.

Conserver l'emballage, celui-ci offre, lors d'un transport, une protection optimale (par ex. changement de lieu d'utilisation, renvoi pour réparation).

Conditions admissibles sur le lieu de stockage :

- Température de stockage :
 - Connecteur circulaire M12 x 1 (4 plots) : -40 ... +85 °C [-40 ... +185 °F]
 - Câble directement connecté : -20 ... +80 °C [-4 ... +176 °F]
- Humidité : 5 ... 95 % h.r.

Eviter les influences suivantes :

- Lumière solaire directe ou proximité d'objets chauds
- Vibrations mécaniques, chocs mécaniques (mouvements brusques en le posant)
- Suie, vapeur, poussière et gaz corrosifs
- Environnement présentant des risques d'explosion, atmosphères inflammables

4. Transport ... / 5. Mise en service, utilisation

Conserver l'instrument dans l'emballage original dans un endroit qui satisfait aux conditions susmentionnées. Si l'emballage d'origine n'est pas disponible, emballer et stocker l'instrument comme suit :

1. Emballer l'instrument dans une feuille de plastique antistatique.
2. Placer l'instrument avec le matériau isolant dans l'emballage.
3. En cas d'entreposage long (plus de 30 jours), mettre également un sachet absorbant d'humidité dans l'emballage.

FR

5. Mise en service, utilisation



AVERTISSEMENT !

Il convient d'éviter tout chargement mécanique sur les raccordements électriques et sur les boîtiers. L'accès à tous les raccordements ne doit être effectué que lorsque l'instrument n'est plus sous pression et qu'il est suffisamment refroidi.

Températures maximales admissibles :

- Sur un boîtier avec transmetteur : 85 °C [185 °F]
- Avec câble directement connecté : -20 ... +80 °C [-4 ... +176 °F]
- Classe A:
Sans extension -30 ... +150 °C [-22 ... +302 °F]
Avec extension -30 ... +250 °C [-22 ... +482 °F] ¹⁾
- Classe B:
Sans extension -50 ... +150 °C [-58 ... +302 °F]
Avec extension -50 ... +250 °C [-58 ... +482 °F] ¹⁾

¹⁾ Version avec câble chemisé à isolation minérale peut être utilisée jusqu'à 300 °C [572 °F].

5.1 Installation

Ces sondes à résistance sont conçues de manière à être vissées directement dans le process. La longueur d'insertion ainsi que la vitesse de débit et la viscosité du fluide process peuvent réduire la charge maximale exercée sur la gaine.

Le boîtier doit être relié à la terre pour protéger l'instrument contre les champs électromagnétiques et les charges électrostatiques. Il ne doit

5. Mise en service, utilisation

pas être raccordé spécifiquement à la liaison équipotentielle lorsqu'un contact métallique fixe et sécurisé est établi entre lui et le récipient ou ses composants ou canalisations, dans la mesure où ceux-ci sont raccordés à la liaison équipotentielle.

Lorsqu'il y a un contact non-métallique avec la cuve, avec ses éléments structuraux ou la tuyauterie, l'instrument doit être muni d'une liaison équipotentielle.

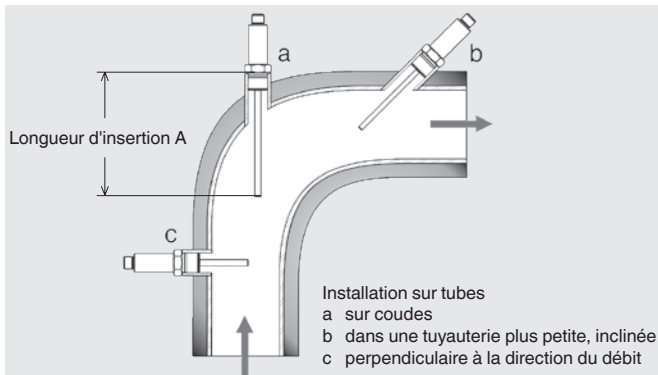
FR



AVERTISSEMENT !

D'éventuelles réparations ou des modifications structurelles ne sont pas autorisées et entraînent l'annulation de la garantie.

Exemples d'installation



Pour obtenir des informations relatives sur les trous de vissage, veuillez vous référer à la norme DIN 3852, ou ANSI B 1.20 pour les filetage NPT.

5. Mise en service, utilisation

5.1.1 Couples de serrage pour raccord coulissant

Joint d'étanchéité	Rotation	Pression max. en bar
Ferrule acier inox	1 ¼ ... 1 ½	100
Joint de compression acier inox	1 ¼ ... 1 ½	100
Ferrule PTFE	1 ¼ ... 1 ½	8

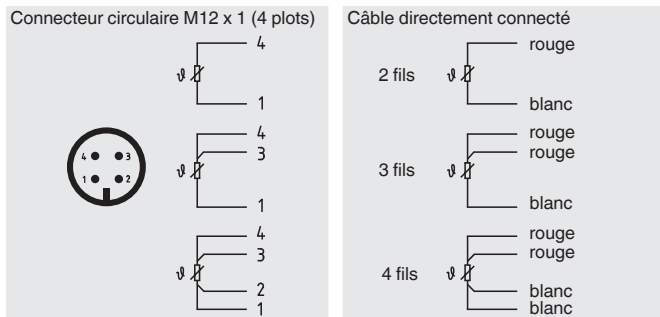
5.1.2 Couples de serrage pour contre-connecteur M12 ou adaptateur M12

Choisir un couple de serrage de 0,6 Nm.

5.2 Raccordement électrique

Le raccordement électrique s'effectue à l'aide d'un connecteur circulaire.

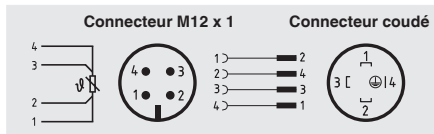
■ Signal de sortie Pt100 et Pt1000 (standard)



Autres configurations du raccordement possibles.

Pour plus d'informations, voir la documentation de commande.

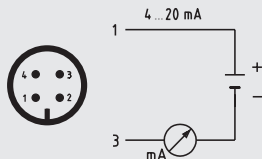
Accessoires : Adaptateur Pt M12 x 1 raccordé à connecteur coudé DIN EN 175301-803



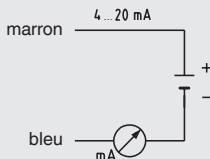
5. Mise en service, utilisation

■ Signal de sortie 4 ... 20 mA (standard)

Connecteur circulaire M12 x 1 (4 plots)



Câble directement connecté



FR

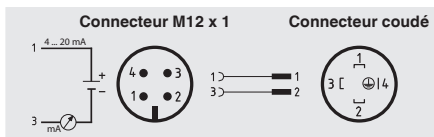
Broche	Signal	Description
1	L+	10 ... 30 V
2	VQ	non raccordé
3	L-	0 V
4	C	non raccordé

Fil	Signal	Description
Marron	L+	10 ... 30 V
Bleu	L-	0 V

Autres configurations du raccordement possibles.

Pour plus d'informations, voir la documentation de commande.

Accessoires : Adaptateur transmetteur M12 x 1 pour connecteur coudé DIN EN 175301-803



Configuration du raccordement connecteur coudé

Broche	Signal	Description
1	L+	10 ... 30 V
2	L-	0 V
3	VQ	non raccordé
4	C	non raccordé

5. Mise en service, utilisation



DANGER !

Danger vital à cause du courant électrique

Lors du contact avec des parties sous tension, il y a un danger vital direct.

- Le montage de l'instrument électrique ne doit être effectué que par un électricien qualifié.
- En cas d'utilisation avec une unité d'alimentation défectueuse (par exemple court-circuit entre la tension du secteur et la tension de sortie), des tensions présentant un danger de mort peuvent apparaître sur l'instrument !
- Ne procéder à des travaux de montage que si l'alimentation est coupée.

FR

Ceci est un équipement de protection classe 3 pour le raccordement à des tensions faibles, qui sont séparées de l'alimentation ou la tension par plus que 50 VAC ou 120 VDC. On recommande de préférence une connexion à un circuit SELV ou PELV ; on peut aussi utiliser les mesures de protection aux termes de HD 60346-4-41 (norme DIN VDE 0100-410).

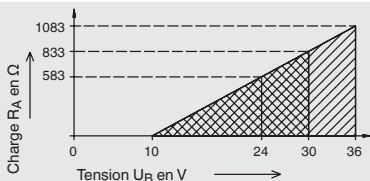
Alternative pour le continent nord-américain

Le raccordement peut être également effectué sur "circuits classe 2" ou des unités de "puissance classe 2" conformément au CEC (Canadian Electrical Code) ou NEC (National Electrical Code).

Diagramme de charge

La charge admissible dépend de la tension d'alimentation de la boucle. Pour la communication avec l'instrument avec l'unité de programmation PU-548, une charge maximale de 350 Ω est autorisée.

$R_A \leq (U_B - 10 \text{ V}) / 23 \text{ mA}$ avec R_A in Ω et U_B in V



5.3 Comportement du signal de sortie électrique 4 ... 20 mA

■ Rupture de capteur et court-circuit

La rupture de capteur ou le court-circuit sont signalés après la détection positive (après environ 1 seconde). Si cette condition de défaut a été causé par un dysfonctionnement, un signal de mesure pertinent doit alors exister pendant environ 1 seconde afin de revenir au mode de mesure. À partir du moment de la détection d'erreur jusqu'à la signalisation de défaut, la dernière valeur mesurée pertinente sera émise sur la boucle de courant.

Par conséquent, dans le cas d'une "vraie" rupture de capteur ou d'un "vrai" court-circuit, ceci est également signalé de façon permanente. Dans le cas d'une "fausse" rupture de capteur ou d'un "faux" court-circuit, l'émetteur a la possibilité de revenir au mode de mesure.

■ Température du fluide en dehors de l'échelle

Si la température du fluide configurée dans le transmetteur dépasse l'échelle, une erreur sera signalée.

6. Configuration

La configuration est effectuée au moyen d'une interface USB avec PC via l'unité de programmation du type PU-548 (accessoires, code article 14231581). Le raccordement avec le thermomètre est effectué au moyen d'un câble adaptateur approprié.

- Accessoires, connecteur circulaire M12 x 1 : code article 14003193
- Accessoires, pince crocodile pour fils de connexion nus : code article 14097967

6. Configuration

L'étendue de mesure, l'amortissement, le signal de défaut, le n° identification et autres paramètres peuvent être réglés (voir logiciel de configuration).



- Facile à utiliser
- Affichage d'état par DEL
- Design compact
- On n'a plus besoin de tension d'alimentation supplémentaire pour l'unité de programmation ou pour le transmetteur

(se substitue à l'unité de programmation type PU-448)

FR

L'étendue de mesure peut être configurée entre $-50 \dots +250 \text{ }^{\circ}\text{C}$ [$-58 \dots +482 \text{ }^{\circ}\text{F}$]. Le logiciel de configuration contrôle la plage de mesure souhaitée et accepte uniquement les valeurs admissibles. Les valeurs intermédiaires sont configurables ; l'incrément le plus petit est $0,1 \text{ }^{\circ}\text{C}$ ou $0,1 \text{ }^{\circ}\text{F}$. Les sondes sont livrées avec une configuration selon les souhaits du client dans les limites des possibilités de configuration.

Attention :

L'étendue de mesure de la sonde est limitée par la plage d'application de l'élément de mesure, et non par la plage de réglage du transmetteur.

Températures maximales admissibles :

- Sur un boîtier avec transmetteur : $85 \text{ }^{\circ}\text{C}$ [$185 \text{ }^{\circ}\text{F}$]
- Avec câble directement connecté : $-25 \dots +85 \text{ }^{\circ}\text{C}$ [$-13 \dots +185 \text{ }^{\circ}\text{F}$]
- Classe A:
Sans extension $-30 \dots +150 \text{ }^{\circ}\text{C}$ [$-22 \dots +302 \text{ }^{\circ}\text{F}$]
Avec extension $-30 \dots +250 \text{ }^{\circ}\text{C}$ [$-22 \dots +482 \text{ }^{\circ}\text{F}$]¹⁾
- Classe B:
Sans extension $-50 \dots +150 \text{ }^{\circ}\text{C}$ [$-58 \dots +302 \text{ }^{\circ}\text{F}$]
Avec extension $-50 \dots +250 \text{ }^{\circ}\text{C}$ [$-58 \dots +482 \text{ }^{\circ}\text{F}$]¹⁾

1) Version avec câble chemisé à isolation minérale peut être utilisée jusqu'à $300 \text{ }^{\circ}\text{C}$ [$572 \text{ }^{\circ}\text{F}$].

7. Logiciel de configuration WIKAsoft-TT

7. Logiciel de configuration WIKAsoft-TT

Pour l'installation, veuillez suivre les instructions habituelles d'installation.

7.1 Démarrer le logiciel

Lancer le logiciel de configuration en double-cliquant sur l'icône WIKAsoft-TT.

FR

Après avoir démarré le logiciel, changer la langue en sélectionnant le drapeau du pays correspondant.

Le port COM est sélectionné automatiquement.



Après la connexion d'un transmetteur (à l'aide de la PU-548), l'interface de configuration est chargée en appuyant sur le bouton "Démarrer".



L'interface de configuration ne peut être chargée que lorsqu'un instrument est connecté.



7. Logiciel de configuration WIKAsoft-TT

7.2 Procédure de configuration

Les étapes 1 et 2 sont effectuées automatiquement au démarrage du logiciel.

1. "Chargement des données instrument"
2. "Chargement de la configuration"
3. [option] Annuler la protection en écriture (symbole "clé" en bas à droite)
4. Modifier les paramètres requis
→ Capteur/Etendue du mesure/Signalisation d'erreur etc.
5. "Enregistrer sur l'instrument"
6. [option] Activer la protection en écriture
7. [option] Imprimer le journal de configuration
8. [option] Test : "Chargement de la configuration" → vérification de la configuration

FR

7.3 Diagnostic d'erreur

Ici, en cas d'"erreur détectée par le transmetteur", le message d'erreur est affiché.

Exemples : rupture de capteur, température maximale autorisée dépassée, etc. En fonctionnement normal, "Pas d'erreur - Pas de demande de maintenance" est affiché ici.

7.4 Valeurs mesurées

Enregistreur à ligne - Ici la progression de valeur mesurée est représentée sous forme de graphique avec un taux d'échantillonnage constant dans un intervalle de temps défini (180 secondes) et un axe de température variable.

L'afficheur sert uniquement pour la vérification fonctionnelle et pour information.

Il n'est pas possible d'exporter les données.

7.5 Configurer plusieurs appareils de manière identique

■ Premier appareil

1. "Chargement de la configuration"
2. [option] Annuler la protection en écriture (symbole "clé" en bas à droite)
3. Modifier les paramètres requis
4. "Enregistrer sur l'instrument"
5. [option] Activer la protection en écriture

8. Raccordement de l'unité de programmation PU-548

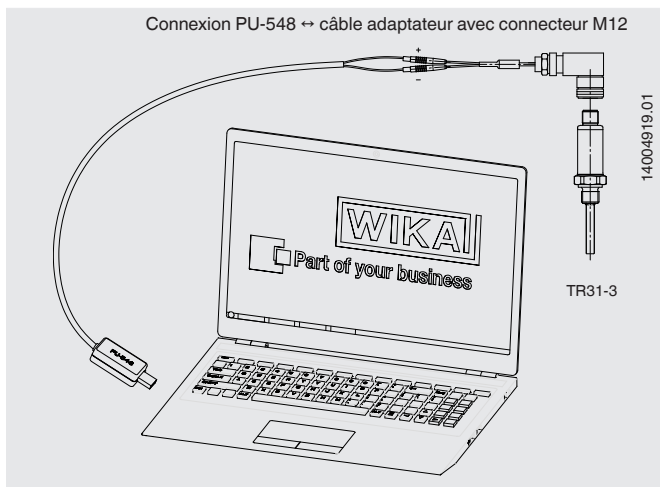
- Tous les appareils suivants
 1. "Chargement des données instrument"
 2. [option] Annuler la protection en écriture
 3. [option] Modifier les paramètres requis, par exemple numéro d'étiquette
 4. "Enregistrer sur l'instrument"
 5. [option] Activer la protection en écriture

FR



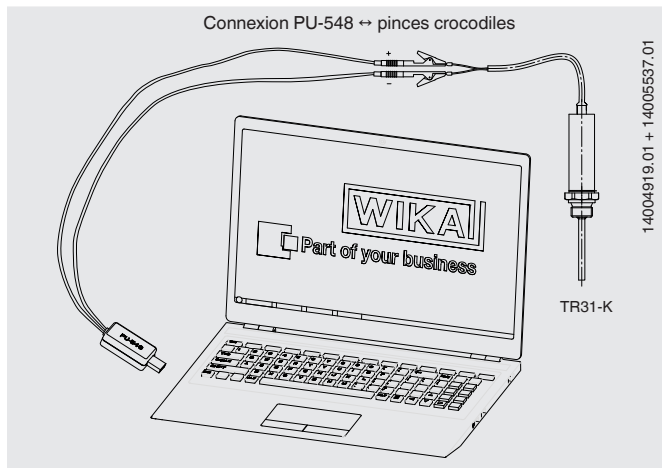
Pour plus d'informations, voir le chapitre 1 "Généralités", "Données de contact" ou le dos de ce mode d'emploi.

8. Raccordement de l'unité de programmation PU-548



(modèle prédécesseur, unité de programmation type PU-448, également compatible)

8. Raccordement de ... / 9. Dysfonctionnements



(modèle prédécesseur, unité de programmation type PU-448, également compatible)

9. Dysfonctionnements



ATTENTION !

Blessures physiques et dommages aux équipements et à l'environnement

Si les défauts ne peuvent pas être éliminés au moyen des mesures listées ci-dessus, l'instrument doit être mis hors service immédiatement.

- ▶ S'assurer que la pression ou le signal n'est plus présent et protéger contre une mise en service accidentelle.
- ▶ Contacter le fabricant.
- ▶ S'il est nécessaire de retourner l'instrument au fabricant, respecter les indications mentionnées au chapitre 11.2 "Retour".

9. Dysfonctionnements



AVERTISSEMENT !

Blessures physiques et dommages aux équipements et à l'environnement causés par un fluide dangereux

Lors du contact avec un fluide dangereux (par ex. oxygène, acétylène, substances inflammables ou toxiques), un fluide nocif (par ex. corrosif, toxique, cancérigène, radioactif), et également avec des installations de réfrigération et des compresseurs, il y a un danger de blessures physiques et de dommages aux équipements et à l'environnement.

En cas d'erreur, des fluides agressifs peuvent être présents à une température extrême et sous une pression élevée ou sous vide au niveau de l'instrument.

- Pour ces fluides, les codes et directives appropriés existants doivent être observés en plus des réglementations standard.



Pour le détail des contacts voir le chapitre 1 "Généralités" ou au dos du mode d'emploi.

Dysfonctionnements	Raisons	Mesures
Aucun signal/ coupure de fil	Charge mécanique trop élevée ou température excessive	Remplacer le capteur avec une exécution adaptée
Valeurs mesurées erronées	Dérive du capteur causée par une température excessive	Remplacer le capteur avec une exécution adaptée
	Dérive du capteur causée par une attaque chimique	Analyse du fluide
Valeurs mesurées erronées (trop basses)	Pénétration d'humidité dans le câble	Utiliser l'indice de protection IP approprié
Valeurs mesurées erronées et temps de réponse trop longs	Géométrie de montage incorrecte, par exemple profondeur de montage trop profonde ou dissipation thermique trop élevée	La zone thermosensible du capteur doit se trouver dans le fluide et les mesures de surfaces doivent être isolées
	Dépôts sur le doigt de gant	Éliminer les dépôts

9. Dysfonctionnements / 10. Entretien et nettoyage

Dysfonctionnements	Raisons	Mesures
Affichage des sauts de valeur mesurée	Rupture de câble dans le câble de raccordement ou contact lâche causé par une surcharge mécanique	Remplacer le capteur ou utiliser une section de conducteur plus épaisse
Corrosion	La composition du fluide n'est pas celle exigée ou est modifiée	Analyse du fluide
Interférence du signal	Courants vagabonds provoqués par des champs électriques ou des boucles de terre	Utilisation de câbles de raccordement blindés, augmentation de la distance par rapport aux moteurs et lignes de puissance
	Boucles de terre	Élimination des potentiels, utilisation de séparateurs d'alimentation ou de transmetteurs séparés galvaniquement

FR

10. Entretien et nettoyage



Pour le détail des contacts voir le chapitre 1 “Généralités” ou au dos du mode d’emploi.

10.1 Entretien

Les sondes à résistance décrites dans ce document ne nécessitent pas de maintenance et ne comportent aucun composant devant faire l'objet d'une réparation ou d'un échange.

10.2 Nettoyage



ATTENTION !

Blessures physiques et dommages aux équipements et à l'environnement

Un nettoyage inapproprié peut conduire à des blessures physiques et à des dommages aux équipements ou à l'environnement. Les restes de fluides se trouvant dans les instruments démontés peuvent mettre en danger les personnes, l'environnement ainsi que l'installation.

- ▶ Effectuer la procédure de nettoyage comme décrit ci-dessous.

- ▶ Avant le nettoyage, débrancher correctement l'instrument.
- ▶ Nettoyer l'instrument avec un chiffon humide.
- ▶ Eviter tout contact des raccordements électriques avec l'humidité !



ATTENTION !

Dommages à l'instrument

Un nettoyage inapproprié peut conduire à l'endommagement de l'instrument !

- ▶ Ne pas utiliser de détergents agressifs.
 - ▶ Ne pas utiliser d'objets pointus ou durs pour le nettoyage.
-
- ▶ Laver et décontaminer l'instrument démonté afin de protéger les personnes et l'environnement contre le danger lié aux résidus de fluides.

11. Démontage, retour et mise au rebut

11. Démontage, retour et mise au rebut

11.1 Démontage



AVERTISSEMENT !

Blessures physiques et dommages aux équipements et à l'environnement liés aux résidus de fluides

Lors du contact avec un fluide dangereux (par ex. oxygène, acétylène, substances inflammables ou toxiques), un fluide nocif (par ex. corrosif, toxique, cancérigène, radioactif), et également avec des installations de réfrigération et des compresseurs, il y a un danger de blessures physiques et de dommages aux équipements et à l'environnement.

- ▶ Avant de stocker l'instrument démonté (à la suite de son utilisation), le laver ou le nettoyer afin de protéger le personnel et l'environnement contre le danger lié aux résidus de fluides.
- ▶ Utiliser l'équipement de protection requis (en fonction de l'application ; le thermomètre lui-même n'est en principe pas dangereux).
- ▶ Observer les informations de la fiche de données de sécurité du fluide correspondant.

Déconnecter la sonde à résistance uniquement une fois que le système a été mis hors pression !



AVERTISSEMENT !

Danger de brûlure

Durant le démontage, il y a un danger lié à l'échappement de fluides dangereusement chauds.

- ▶ Avant le démontage du thermomètre, laisser refroidir suffisamment l'instrument !

11.2 Retour

En cas d'envoi de l'instrument, il faut respecter impérativement ceci :

Tous les instruments envoyés à WIKA doivent être exempts de toute substance dangereuse (acides, solutions alcalines, solutions, etc.).

11. Démontage, retour et mise au rebut

Pour retourner l'instrument, utiliser l'emballage original ou un emballage adapté pour le transport.

Pour éviter des dommages :

1. Emballer l'instrument dans une feuille de plastique antistatique.
2. Placer l'instrument avec le matériau isolant dans l'emballage. Isoler de manière uniforme tous les côtés de l'emballage de transport.
3. Mettre si possible un sachet absorbant d'humidité dans l'emballage.
4. Indiquer lors de l'envoi qu'il s'agit d'un instrument de mesure très sensible à transporter.

FR



Des informations relatives à la procédure de retour sont disponibles sur notre site Internet à la rubrique "Services".

11.3 Mise au rebut

Une mise au rebut inadéquate peut entraîner des dangers pour l'environnement. Éliminer les composants des instruments et les matériaux d'emballage conformément aux prescriptions nationales pour le traitement et l'élimination des déchets et aux lois de protection de l'environnement en vigueur.



Ne pas mettre au rebut avec les ordures ménagères. Assurer une mise au rebut correcte en conformité avec les réglementations nationales.

12. Spécifications

12. Spécifications

Élément de mesure

Type d'élément de mesure

Version 4 ... 20 mA
(type TR31-x-x-TT)

Pt1000
(courant de mesure < 0,3 mA ; l'auto-
échauffement peut être négligé)

Version Pt100 (type TR31-x-x-Px)/
Pt1000 (type TR31-x-x-Sx)

- Pt100 (courant de mesure : 0,1 ... 1,0 mA)
- Pt1000 (courant de mesure : 0,1 ... 0,3 mA)

→ Pour obtenir des spécifications détaillées
sur les capteurs Pt, voir l'information
technique IN 00.17 sur www.wika.fr.

FR

Type de raccordement

Version 4 ... 20 mA
(type TR31-x-x-TT)

2 fils

Version Pt100 (type TR31-x-x-Px)/
Pt1000 (type TR31-x-x-Sx)

- 2 fils
- 3 fils
- 4 fils

Valeur de tolérance de l'élément de mesure ¹⁾ selon CEI 60751

Version 4 ... 20 mA
(type TR31-x-x-TT)

Classe A

Version Pt100 (type TR31-x-x-Px)/
Pt1000 (type TR31-x-x-Sx)

- Classe A
- Classe B à 2-wire

Caractéristiques de précision (version 4 ... 20 mA)

Valeur de tolérance de l'élément de
mesure ¹⁾ selon CEI 60751

Classe A

Ecart de mesure du transmetteur
selon CEI 62828

±0,25 K

Ecart de mesure total selon
CEI 62828

Ecart de mesure de l'élément de mesure
+ transmetteur

Influence de la température
ambiante

0,1 % de l'intervalle de mesure / 10 K T_a

Influence de la tension
d'alimentation

±0,025 % / V (dépend de l'alimentation
électrique U_B)

Influence de la charge

±0,05 % / 100 Ω

12. Spécifications

Caractéristiques de précision (version 4 ... 20 mA)

Linéarisation	Linéaire par rapport à la température selon CEI 60751
---------------	---

Erreur de sortie	$\pm 0,1 \text{ \%}^{2)}$
------------------	---------------------------

Conditions de référence

Température ambiante T_a ref	23 °C
--------------------------------	-------

Tension d'alimentation U_B ref	DC 12 V
----------------------------------	---------

FR

- 1) En fonction du raccord process, l'écart peut être plus important.
- 2) $\pm 0,2 \text{ \%}$ pour le début de l'étendue de mesure de moins de 0 °C [32 °F]

Exemple de calcul : écart de mesure total

(étendue de mesure 0 ... 150 °C, charge 200 Ω , tension d'alimentation 16 V, température ambiante 33 °C, température de process 100 °C)

Élément de mesure (classe A selon CEI 60751 : 0,15 + (0,0020(t))) : $\pm 0,350 \text{ K}$
Ecart de mesure du transmetteur $\pm 0,25 \text{ K}$: $\pm 0,250 \text{ K}$
Erreur de sortie $\pm(0,1 \text{ \% de } 150 \text{ K})$: $\pm 0,150 \text{ K}$
Influence de la charge $\pm(0,05 \text{ \% / } 100 \text{ } \Omega \text{ de } 150 \text{ K})$: $\pm 0,150 \text{ K}$
Influence de la tension d'alimentation $\pm(0,025 \text{ \% / V de } 150 \text{ K})$: $\pm 0,150 \text{ K}$
Influence de la température ambiante $\pm(0,1 \text{ \% / } 10 \text{ K } T_a \text{ de } 150 \text{ K})$: $\pm 0,150 \text{ K}$

Ecart de mesure (type)

$\text{sqrt}(0,35 \text{ K}^2 + 0,25 \text{ K}^2 + 0,15 \text{ K}^2 + 0,15 \text{ K}^2 + 0,15 \text{ K}^2 + 0,15 \text{ K}^2)$
 $\text{sqrt}(0,275 \text{ K}^2) = 0,524 \text{ K}$

Ecart de mesure (maximum)

$0,35 \text{ K} + 0,25 \text{ K} + 0,15 \text{ K} + 0,15 \text{ K} + 0,15 \text{ K} + 0,15 \text{ K} = 1,2 \text{ K}$

12. Spécifications

FR

Echelle de mesure

Plage de température

Version 4 ... 20 mA (type TR31-x-x-TT)	Sans extension -30 ... +150 °C [-22 ... +302 °F] Avec extension -30 ... +250 °C [-22 ... +482 °F] ^{1) 2)} Version avec joint torique FKM : -20 ... +125 °C [-4 ... +257 °F]	
Version Pt100 (type TR31-x-x-Px) / Pt1000 (type TR31-x-x-Sx)	Classe A	Sans extension -30 ... +150 °C [-22 ... +302 °F] Avec extension -30 ... +250 °C [-22 ... +482 °F] ²⁾ Version avec joint torique FKM : -20 ... +125 °C [-4 ... +257 °F]
	Classe B	Sans extension -50 ... +150 °C [-58 ... +302 °F] Avec extension -50 ... +250 °C [-58 ... +482 °F] ²⁾
Unité (version 4 ... 20 mA)	Configurables °C, °F, K	
Température au connecteur (version Pt100, Pt1000)	Max. 85 °C [185 °F]	
Intervalle de mesure (version 4 ... 20 mA)	Minimum 20 K, maximum 300 K	

1) C'est pourquoi le transmetteur de température doit être protégé des températures supérieures à 85 °C [185 °F].

2) Version avec câble chemisé à isolation minérale peut être utilisée jusqu'à 300 °C [572 °F].

Raccord process

Type de raccord process	<ul style="list-style-type: none"> ■ G ¼ B ■ G ⅜ B ■ G ½ B ■ ¼ NPT ■ ½ NPT ■ M12 x 1,5 ■ M20 x 1,5 ■ 7/16-20 UNF-2A
Tube de protection	
Diamètre du tube de protection	<ul style="list-style-type: none"> ■ 3 mm [0,12 in] ■ 6 mm [0,24 in]

12. Spécifications

Raccord process

Longueur d'insertion U₁

- 50 mm [1,97 in]
- 75 mm [2,95 in] ¹⁾
- 100 mm [3,94 in] ¹⁾
- 120 mm [4,72 in] ¹⁾
- 150 mm [5,91 in] ¹⁾
- 200 mm [7,87 in] ¹⁾
- 250 mm [9,84 in] ¹⁾
- 300 mm [11,81 in] ¹⁾
- 350 mm [13,78 in] ¹⁾
- 400 mm [15,75 in] ¹⁾

Autres longueurs sur demande

Matériau (en contact avec le fluide)

Acier inox 1.4571

FR

1) Pas pour le diamètre du tube de protection 3 mm [0,12 in]

Si la sonde à résistance doit fonctionner dans un tube de protection supplémentaire, il faudra utiliser un raccord coulissant monté sur ressort.

Signal de sortie (version 4 ... 20 mA)

Sortie analogique

4 ... 20 mA, 2 fils

Configuration d'usine

Echelle de mesure

0 ... 150 °C [32 ... 302 °F]

D'autres étendues de mesure sont réglables

Valeur de courant pour la signalisation des défauts

Configurable en conformité avec NAMUR NE 043
bas d'échelle ≤ 3,6 mA
haut d'échelle ≥ 21,0 mA

Valeur de courant pour court-circuit du capteur

Non configurable en conformité avec NAMUR NE 043
bas d'échelle ≤ 3,6 mA

Communication

Données d'info

N° d'identification, description et message d'utilisateur peuvent être stockés dans le transmetteur

Données de configuration et d'étalonnage

Stockées en permanence

Logiciel de configuration

WIKAsoft-TT
→ Logiciel de configuration (multilingue)
téléchargeable sur www.wika.fr

12. Spécifications

FR

Signal de sortie (version 4 ... 20 mA)

Tension d'alimentation

Tension d'alimentation U_B	DC 10 ... 30 V
Entrée de tension d'alimentation	Protégée contre l'inversion de polarité
Ondulation résiduelle admissible de la tension d'alimentation	10 % générée par $U_B < 3$ % d'ondulation du courant de sortie

Temps de réponse

Retard au démarrage, électrique	Max. 4 s (durée avant la première valeur mesurée)
Durée de préchauffage	Après environ 4 minutes, l'instrument fonctionnera conformément aux spécifications (précision) indiquées dans la fiche technique.

Conditions de fonctionnement

Plage de température ambiante

Connecteur circulaire M12 x 1 (type TR31-3-x-xx)	
Version 4 ... 20 mA	-40 ... +85 °C [-40 ... +185 °F] Version avec joint torique FKM : -20 °C [-4 °F]
Version Pt100 / Pt1000	-50 ... +85 °C [-58 ... +185 °F] Version avec joint torique FKM : -20 °C [-4 °F]
Câble directement connecté (type TR31-K-x-xx)	-20 ... +80 °C [-4 ... +176 °F]

Plage de température de stockage

Connecteur circulaire M12 x 1 (type TR31-3-x-xx)	-40 ... +85 °C [-40 ... +185 °F] Version avec joint torique FKM : -20 °C [-4 °F]
Câble directement connecté (type TR31-K-x-xx)	-20 ... +80 °C [-4 ... +176 °F]

Classe climatique selon CEI 60654-1

Connecteur circulaire M12 x 1 (type TR31-3-x-xx)	
Version 4 ... 20 mA	Cx (-40 ... +85 °C [-40 ... +185 °F], 5 ... 95 % h. r.) Version avec joint torique FKM : -20 °C [-4 °F]
Version Pt100 / Pt1000	Cx (-50 ... +85 °C [-58 ... +185 °F], 5 ... 95 % h. r.) Version avec joint torique FKM : -20 °C [-4 °F]
Câble directement connecté (type TR31-K-x-xx)	Cx (-20 ... +80 °C [-4 ... +176 °F], 5 ... 95 % h. r.) Version avec joint torique FKM : -20 °C [-4 °F]

12. Spécifications

Conditions de fonctionnement

Humidité maximale admissible, condensation 100 % h. r., condensation autorisée

Pression de service maximale ^{1) 2)}

Pour tube de protection Ø 3 mm [0,12 in] 140 bar [2.030 psi]

Pour tube de protection Ø 6 mm [0,24 in] 270 bar [3.916 psi]

Brouillard salin IEC 60068-2-11

Résistance aux vibrations selon CEI 60751 10 ... 2.000 Hz, 20 g ¹⁾

Résistance aux chocs selon IEC 60068-2-27 50 g, 6 ms, 3 axes, 3 directions, trois fois par direction

Conditions pour un usage à l'extérieur (pour l'homologation UL seulement)

- L'instrument convient pour des applications avec une pollution de degré 3.
- L'alimentation doit être capable de fonctionner au-dessus de 2.000 m dans le cas où le transmetteur de température serait utilisé à cette altitude.
- L'instrument doit être installé à l'abri des intempéries.
- L'instrument doit être installé à l'abri du soleil et de toute source de rayonnement UV.

Matériau Acier inox

Indice de protection (code IP)

Boîtier avec connecteur raccordé ou câble directement connecté ³⁾

- IP67 selon IEC/EN 60529
- IP69 selon IEC/EN 60529
- IP69K selon ISO 20653

L'indice de protection mentionné n'est valable que lorsqu'il y a un raccordement au moyen de connecteurs de ligne possédant l'indice de protection requis.

Raccord couple, non raccordé IP67 selon IEC/EN 60529

Poids Environ 0,2 ... 0,7 kg [0,44 ... 1,54 lbs] - en fonction de la version

1) Dépendant de la version de l'instrument

2) Pression de service réduite si l'on utilise un raccord coulissant :
Acier inox : max. 100 bar [1.450 psi] / PTFE : max. 8 bar [116 psi]

3) Non testé selon le standard UL

12. Spécifications

Brevets/droits de propriété

**Adaptateur M12 x 1 sur connecteur coudé
DIN EN 175301-803**

N° 001370985

→ Pour de plus amples spécifications, voir la fiche technique WIKA TE 60.31 et la documentation de commande.

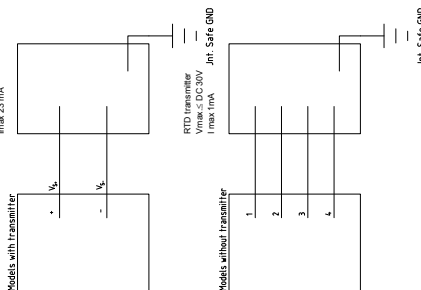
FR

Installation in ordinary locations

For information only, do not obligatory

Electrical ratings TR21-*, Z-*, TR31-*, Z-*, TR33-Z-*

Class III equipment (4-20mA loop) supplied by a Class III supply (SELV or PELV)
 $V_{max} \leq$ DC 30 V
 $I_{max} \leq$ 23 mA



Warning - Refer to accompanying installation, operating & service instructions for safe and proper usage.

French warning text
 AVERTISSEMENT: Se référer aux instructions concernant l'installation, le fonctionnement et le service pour une utilisation sûre et correcte.

Notes:

- The power supply for the thermometer with built in transmitter must be made via a limited-energy electrical circuit in accordance with UL/EN/IEC 6010-1, or LPS according to UL/EN/IEC 60950-1, or (for North American class 2 in accordance with UL1310/UL1585 (NEC) or in accordance with CAN/CSA C22.2 No. 223-M91 (Class 2 Power Supplies) and CAN/CSA C22.2 No. 663-06 (Class 2/Class 3 Transformers). The power supply must be suitable for operation above 2,000 m if the thermometer should be used at this altitude
- No revision to this drawing without prior approval.

Contenido

ES

1. Información general	106
2. Diseño y función	106
3. Seguridad	110
4. Transporte, embalaje y almacenamiento	114
5. Puesta en servicio, funcionamiento	115
6. Configuración	120
7. Software de configuración WIKAsoft_TT	122
8. Conectar la unidad de programación PU-548	124
9. Errores	125
10. Mantenimiento y limpieza	127
11. Desmontaje, devolución y eliminación de residuos	129
12. Datos técnicos	131
Anexo: CSA control drawing	138

Declaraciones de conformidad puede encontrar en www.wika.es.

1. Información general / 2. Diseño y función

1. Información general

ES

- La termostabilidad descrita en el manual de instrucciones está construida y fabricada según el estado actual de la técnica. Todos los componentes están sujetos a rigurosos criterios de calidad y medio ambiente durante la producción. Nuestros sistemas de gestión están certificados según ISO 9001 e ISO 14001.
- Este manual de instrucciones proporciona indicaciones importantes acerca del manejo del instrumento. Para un trabajo seguro, es imprescindible cumplir con todas las instrucciones de seguridad y manejo indicadas.
- Cumplir siempre las normativas sobre la prevención de accidentes y las normas de seguridad en vigor en el lugar de utilización del instrumento.
- El personal especializado debe haber leído y entendido el manual de instrucciones antes de comenzar cualquier trabajo.
- Modificaciones técnicas reservadas.
- Para obtener más informaciones consultar:
 - Página web: www.wika.es
 - Hoja técnica correspondiente: TE 60.31
 - Servicio técnico: Tel.: +34 933 938 630
Fax: +34 933 938 666
info@wika.es

2. Diseño y función

2.1 Descripción

Las termostabilidades TR31 se componen de una vaina con conexión fija y se enroscan directamente al proceso. Son a prueba de golpes y vibraciones y todos los componentes eléctricos están protegidos contra la humedad (IP67 o IP69K). Su resistencia a vibraciones es conforme a IEC 60751 (20 g, depende de la versión del aparato). La resistencia a golpes de todas las versiones es conforme a los requerimientos de IEC 60751.

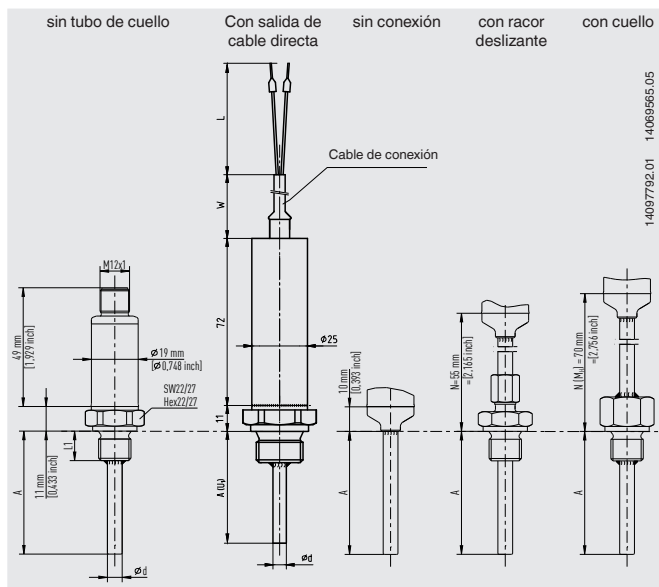
2. Diseño y función

Asegurarse de minimizar las cargas mecánicas sobre el conector, especialmente en caso de aumento de la temperatura ambiente o de fuertes cargas de vibración. El contacto eléctrico se realiza mediante un conector circular M12 x 1 o el cable conectado directamente.

Para la versión con conector circular M12 x 1 se ofrece opcionalmente un adaptador para la conexión mediante un conector angular según DIN EN 175301-803.

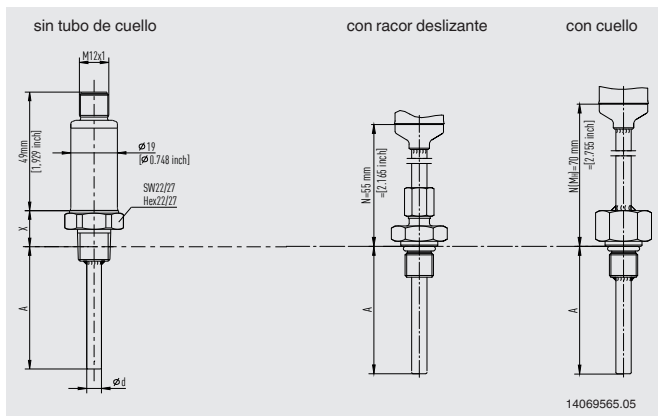
2.2 Dimensiones en mm

Conexión con rosca cilíndrica (o sin conexión)



2. Diseño y función

Conexión a proceso con rosca paralela (7/16-20 UNF-2A) y junta tórica

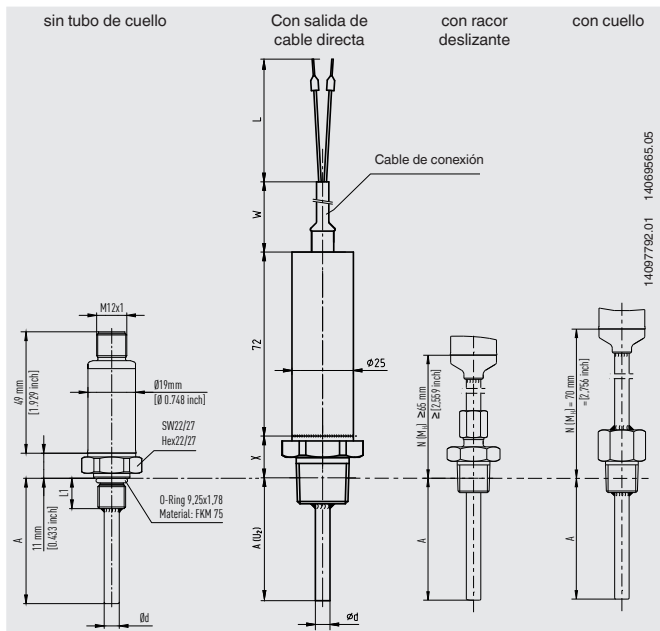


La junta tórica de FKM debe protegerse de las temperaturas inferiores a -20°C [-4°F] y superiores a 125°C [257°F].

ES

2. Diseño y función

Conexión con rosca cónica



14097792.01 14069665.05

ES

A una temperatura de proceso de $> 150\text{ }^{\circ}\text{C}$ [$302\text{ }^{\circ}\text{F}$], es necesaria una longitud de cuello N (M_H) de 70 mm [2,76 pulg], de lo contrario N (M_H) seleccionable (55 mm [2,17 pulg], 65 mm [2,56 pulg] o 70 mm [2,76 pulg]).

Legenda:

- A (U_1) Longitud de montaje (rosca cilíndrica)
- A (U_2) Longitud de montaje (rosca cónica)
- N (M_H) Longitud de cuello
- Ød Diámetro del sensor
- W Longitud del cable conectado directamente
- L Longitud de conductor expuesto
- X Altura de la conexión a proceso
- 1/4 NPT = 15 mm [0,59 in]
- 1/2 NPT = 19 mm [0,75 in]

2. Diseño y función / 3. Seguridad

2.3 Volumen de suministro

Comparar mediante el albarán si se han entregado todas las piezas.

3. Seguridad

3.1 Explicación de símbolos

ES



¡ADVERTENCIA!

... señala una situación probablemente peligrosa que puede causar la muerte o lesiones graves si no se evita.



¡CUIDADO!

... señala una situación probablemente peligrosa que puede causar lesiones leves o medianas o daños materiales y al medio ambiente si no se evita.



¡PELIGRO!

... identifica los peligros causados por la corriente eléctrica. La no observancia de las instrucciones de seguridad puede resultar en lesiones graves o la muerte.



¡ADVERTENCIA!

... señala una situación de peligro que puede provocar quemaduras causadas por superficies o líquidos calientes si no se evita.



Información

... destaca consejos y recomendaciones útiles así como informaciones para una utilización eficiente y libre de errores.

3.2 Uso conforme a lo previsto

La termorresistencia TR31 se utiliza como termómetro universal para medir temperaturas de $-50 \dots +150 \text{ °C}$ [$-58 \dots +302 \text{ °F}$] (sin tubo de cuello), así como de $-50 \dots +250 \text{ °C}$ [$-58 \dots +482 \text{ °F}$] (con tubo de cuello), en medios líquidos o gaseosos. La versión con cable con aislamiento

3. Seguridad

mineral y tubo de cuello permite medir temperaturas de hasta 300 °C [572 °F]. Pueden utilizarse para presiones de hasta 140 bar [2.030 psi] con un diámetro de la sonda de 3 mm [0,12 in] y hasta 270 bar [3.916 psi] si el diámetro de la sonda es 6 mm [0,24 in], dependiendo de la versión.

El instrumento ha sido diseñado y construido únicamente para la finalidad aquí descrita y debe utilizarse en conformidad a la misma.

Cumplir las especificaciones técnicas de este manual de instrucciones. Un manejo no apropiado o una utilización del instrumento no conforme a las especificaciones técnicas requiere la inmediata puesta fuera de servicio y la comprobación por parte de un técnico autorizado por WIKA.

ES

No se admite ninguna reclamación debido a una utilización no conforme a lo previsto.

3.3 Responsabilidad del usuario

La responsabilidad de selección del termómetro y la vaina, así como la selección del material para asegurar el funcionamiento seguro de la instalación o de la máquina la asume la empresa propietaria/operadora. Durante la elaboración de la oferta, WIKA puede dar recomendaciones únicamente basadas en experiencias con aplicaciones similares.

Se debe cumplir las notas de seguridad en este manual de instrucciones, así como la validez de las normas de seguridad de la unidad, de prevención de accidentes y protección del medio ambiente.

El usuario está obligado a mantener la placa de identificación bien legible.

3. Seguridad

3.4 Cualificación del personal



¡ADVERTENCIA!
¡Riesgo de lesiones debido a una insuficiente cualificación!

Un manejo no adecuado puede causar considerables daños personales y materiales.

- ▶ Las actividades descritas en este manual de instrucciones deben realizarse únicamente por personal especializado con la consiguiente cualificación.
- ▶ Mantener al personal no cualificado alejado de las zonas potencialmente explosivas.

ES

Electricistas profesionales

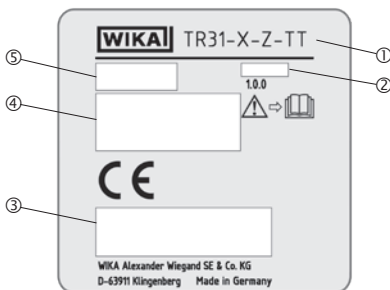
Debido a su formación profesional, a sus conocimientos así como a su experiencia y su conocimiento de las normativas, normas y directivas vigentes en el país de utilización los electricistas profesionales son capacitados de ejecutar los trabajos en sistemas eléctricos y reconocer y evitar posibles peligros. Los electricistas profesionales han sido formados específicamente para sus tareas y conocen las normativas y disposiciones relevantes. Los electricistas profesionales deben cumplir las normativas sobre la prevención de accidentes en vigor.

Algunas condiciones de uso específicas requieren conocimientos adicionales, p. ej. acerca de medios agresivos.

3. Seguridad

3.5 Rótulos, marcajes de seguridad

Placa de identificación (ejemplo)



ES

- ① Modelo
- ② Fecha de fabricación (Año-Mes)
- ③ Logotipos de homologación
- ④ Datos de versión (elemento de medición, señal de salida, rango de medición...)
 - Termómetro con transmisor y señal de salida de 4 ... 20 mA
 - Sonda con salida de sensor directa con Pt100 y Pt1000
- ⑤ Número de serie, número TAG



¡Es absolutamente necesario leer el manual de instrucciones antes del montaje y la puesta en servicio del instrumento!

4. Transporte, embalaje y almacenamiento

4. Transporte, embalaje y almacenamiento

4.1 Transporte

Comprobar si el instrumento presenta eventuales daños causados en el transporte. Notificar daños obvios de forma inmediata. No utilizar instrumentos dañados.



¡CUIDADO!

Daños debidos a un transporte inadecuado

Transportes inadecuados pueden causar daños materiales considerables.

- ▶ Tener cuidado al descargar los paquetes durante la entrega o el transporte dentro de la compañía y respetar los símbolos en el embalaje.
- ▶ Observar las instrucciones en el capítulo 4.2 “Embalaje y almacenamiento” en el transporte dentro de la compañía.

Si se transporta el instrumento de un ambiente frío a uno caliente, puede producirse un error de funcionamiento en el mismo. En tal caso, hay que esperar que la temperatura del instrumento se adapte a la temperatura ambiente antes de volver a ponerlo en funcionamiento.

4.2 Embalaje y almacenamiento

No quitar el embalaje hasta justo antes del montaje.

Guardar el embalaje ya que es la protección ideal durante el transporte (por ejemplo si el lugar de instalación cambia o si se envía el instrumento para posibles reparaciones).

Condiciones admisibles en el lugar de almacenamiento:

- Temperatura de almacenamiento:
 - Conector circular M12 x 1 (4 polos): -40 ... +85 °C [-40 ... +185 °F]
 - Cable conectado directamente: -20 ... +80 °C [-4 ... +176 °F]
- Humedad: 5 ... 95 % humedad relativa

Evitar lo siguiente:

- Luz solar directa o proximidad a objetos calientes
- Vibración mecánica, impacto mecánico (colocación brusca)
- Hollín, vapor, polvo y gases corrosivos
- Entorno potencialmente explosivo, atmósferas inflamables

4. Transporte ... / 5. Puesta en servicio, ...

Almacenar el instrumento en su embalaje original en un lugar que cumpla con las condiciones arriba mencionadas. Si no se dispone del embalaje original, empaquetar y almacenar el instrumento como sigue:

1. Envolver el instrumento en un film de plástico antiestático.
2. Colocar el instrumento junto con el material aislante en el embalaje.
3. Para un almacenamiento prolongado (más de 30 días) colocar una bolsa con un desecante en el embalaje.

5. Puesta en servicio, funcionamiento

ES



¡ADVERTENCIA!

Deben evitarse los esfuerzos mecánicos de las conexiones eléctricas y de las cajas. Abrir todas las conexiones sólo cuando estén despresurizadas y enfriadas.

Temperaturas máximas admisibles:

- En caja con transmisor: 85 °C [185 °F]
- Con cable conectado directamente: -20 ... +80 °C
[-4 ... +176 °F]
- Clase A:
Sin tubo de cuello -30 ... +150 °C [-22 ... +302 °F]
Sin tubo de cuello -30 ... +250 °C [-22 ... +482 °F] ¹⁾
- Clase B:
Sin tubo de cuello -50 ... +150 °C [-58 ... +302 °F]
Sin tubo de cuello -50 ... +250 °C [-58 ... +482 °F] ¹⁾

1) Versión con capilar con aislamiento mineral utilizable hasta 300 °C [572 °F].

5.1 Montaje

Estas termorresistencias están previstas para ser enroscadas directamente en el proceso. Longitud de montaje así como velocidad de flujo y viscosidad del medio pueden tener un efecto reductor con respecto a la carga máxima de la vaina.

La caja debe ser puesta a tierra contra campos electromagnéticos y carga electrostática. No tiene que conectarse por separado al sistema equipotencial si tiene ya un contacto metálico fijo y asegurado con

5. Puesta en servicio, funcionamiento

el depósito o sus componentes, o con tuberías, en tanto éstos estén conectados con dicho sistema.

Si hay un contacto no metálico con el contenedor o sus partes constructivas o la tubería, debe dotarse el instrumento con una conexión equipotencial.

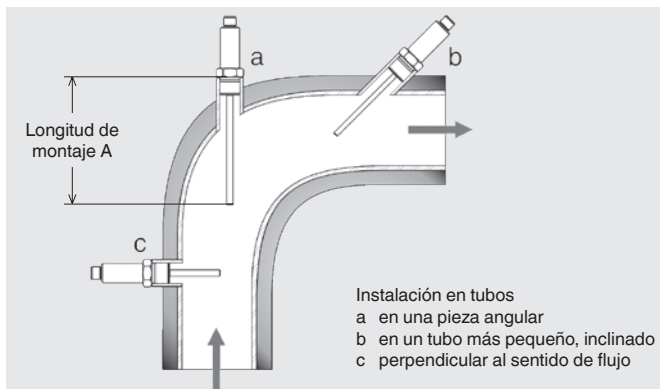


¡ADVERTENCIA!

No se permite ningún tipo de reparación ni modificación constructiva, ya que estas modificaciones provocan la anulación de la garantía.

ES

Ejemplos de montaje



Consultar información sobre los orificios para atornillar en la norma DIN 3852 o para roscas NPT ANSI B 1.20.

5. Puesta en servicio, funcionamiento

5.1.1 Pares de apriete para racor deslizante

Junta	Rotación	Presión máx. en bar
Anillo de sellado de acero inoxidable	1 ¼ ... 1 ½	100
Anillo cortante de acero inoxidable	1 ¼ ... 1 ½	100
Anillo de sellado de PTFE	1 ¼ ... 1 ½	8

5.1.2 Pares de apriete para conector hembra M12 o adaptador M12

Seleccionar un par de apriete de 0,6 Nm.

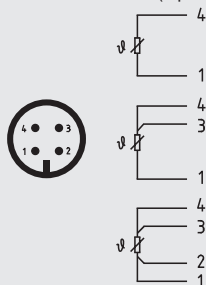
5.2 Conexión eléctrica

La conexión eléctrica se realiza mediante un conector circular.

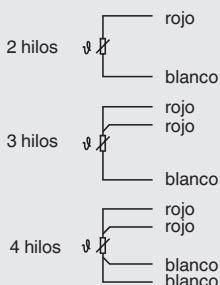
ES

■ Señal de salida Pt100 y Pt1000 (estándar)

Conector circular M12 x 1 (4 polos)



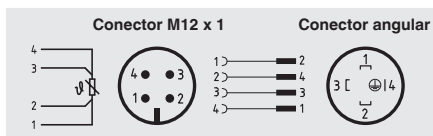
Cable conectado directamente



Posibilidad de detalles de conexiones alternativas.

Para más informaciones véase la documentación de pedido.

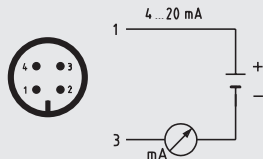
Accesorio: Adaptador Pt M12 x 1 a conector angular DIN EN 175301-803



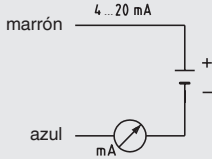
5. Puesta en servicio, funcionamiento

■ Señal de salida 4 ... 20 mA (estándar)

Conector circular M12 x 1 (4 polos)



Cable conectado directamente



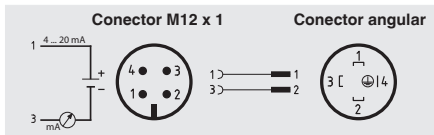
ES

Pin	Señal	Descripción
1	L+	10 ... 30 V
2	VQ	no conectado
3	L-	0 V
4	C	no conectado

Hilo	Señal	Descripción
Marrón	L+	10 ... 30 V
Azul	L-	0 V

Posibilidad de detalles de conexiones alternativas.
Para más informaciones véase la documentación de pedido.

Accesorio: Adaptador de transmisor M12 x 1 a conector angular DIN EN 175301-803



Detalles del conexionado conector angular

Pin	Señal	Descripción
1	L+	10 ... 30 V
2	L-	0 V
3	VQ	no conectado
4	C	no conectado

5. Puesta en servicio, funcionamiento



¡PELIGRO!

Peligro de muerte por corriente eléctrica

Existe peligro directo de muerte al tocar piezas bajo tensión.

- ▶ La instalación y el montaje del instrumento deben estar exclusivamente a cargo del personal especializado.
- ▶ ¡Si se hace funcionar con una fuente de alimentación defectuosa (p. ej. cortocircuito de la tensión de red a la tensión de salida), pueden generarse tensiones letales en el instrumento!
- ▶ Realizar la instalación sólo en estado sin tensión.

Eso es un dispositivo de la clase 3 para la utilización con baja tensión aislada de la tensión de red o de la tensión superior a AC 50 V y DC 120 V. Debe preferirse una conexión a circuitos eléctricos SELV o PELV; como alternativa se recomienda una medida de protección de HD 60346-4-41 (DIN VDE 0100-410).

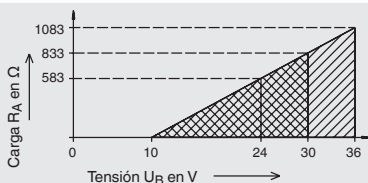
ES

Alternativa para EE.UU

La conexión puede realizarse también a “Class 2 Circuits” o “Class 2 Power Units” según CEC (Canadian Electrical Code) o NEC (National Electrical Code).

Diagrama de cargas

La carga admisible depende de la tensión de la alimentación del lazo. Para la comunicación con el instrumento con unidad de programación PU-548 es admisible una carga máx. de 350 Ω .
 $R_A \leq (U_B - 10 \text{ V}) / 23 \text{ mA}$ con R_A en Ω y U_B en V



5.3 Comportamiento de la señal de salida eléctrica 4 ... 20 mA

■ Sensor roto y cortocircuito

La rotura de un sensor o un cortocircuito se señalan una vez detectados con seguridad (después de aprox. 1 seg). Sin embargo, si este error es causado por un funcionamiento incorrecto, es necesario proporcionar una señal de medición relevante durante aprox. 1 seg para poder volver al modo de medición. A partir de la detección hasta la señalización del error se indica el último valor medido relevante en el bucle de corriente.

De este modo, si hay realmente un sensor roto o cortocircuito, este será señalizado permanentemente. En caso de una rotura de sensor "errónea" o si el sensor funciona correctamente o si no hay ningún cortocircuito, el transmisor puede reanudar la medición.

■ Temperatura de medios fuera del span de medida

Cuando se sobrepasa la temperatura de medios configurada en el transmisor, se señala un error.

ES

6. Configuración

La configuración se efectúa a través del puerto USB de un ordenador vía unidad de programación modelo PU-548 (accesorio, N° de art. 14231581). La conexión con el termómetro se establece mediante un cable adaptador apropiado.

- Accesorio, conector circular M12 x 1: N° de art. 14003193
- Accesorio, pinzas de cocodrilo para cables de conexión sueltos: N° de art. 14097967

6. Configuración

Es posible ajustar rango de medida, amortiguación, señalización de fallos, nº TAG así como otros parámetros (véase el software de configuración).



- Manejo fácil
- Indicadores de estado por LED
- Diseño compacto
- No se necesita ninguna alimentación de corriente adicional ni para la unidad de programación ni para el transmisor

(sustituye a la unidad de programación modelo PU-448)

ES

El rango de medida se puede configurar entre $-50 \dots +250 \text{ }^{\circ}\text{C}$ [$-58 \dots +482 \text{ }^{\circ}\text{F}$]. El software de configuración controla el rango de medida deseado y solamente acepta valores admisibles. Es posible configurar valores intermedios, siendo el incremento más pequeño $0,1 \text{ }^{\circ}\text{C}$ o $0,1 \text{ }^{\circ}\text{F}$. Los termómetros se fabrican configurados según las especificaciones del cliente dentro de las posibilidades de configuración.

Nota:

El rango de medida del termómetro es limitado por el campo de aplicación del elemento sensible, no por el margen de ajuste del transmisor.

Temperaturas máximas admisibles:

- En caja con transmisor: $85 \text{ }^{\circ}\text{C}$ [$185 \text{ }^{\circ}\text{F}$]
- Con cable conectado directamente: $-20 \dots +80 \text{ }^{\circ}\text{C}$ [$-4 \dots +176 \text{ }^{\circ}\text{F}$]
- Clase A:
 - Sin tubo de cuello $-30 \dots +150 \text{ }^{\circ}\text{C}$ [$-22 \dots +302 \text{ }^{\circ}\text{F}$]
 - Sin tubo de cuello $-30 \dots +250 \text{ }^{\circ}\text{C}$ [$-22 \dots +482 \text{ }^{\circ}\text{F}$]¹⁾
- Clase B:
 - Sin tubo de cuello $-50 \dots +150 \text{ }^{\circ}\text{C}$ [$-58 \dots +302 \text{ }^{\circ}\text{F}$]
 - Sin tubo de cuello $-50 \dots +250 \text{ }^{\circ}\text{C}$ [$-58 \dots +482 \text{ }^{\circ}\text{F}$]¹⁾

1) Versión con capilar con aislamiento mineral utilizable hasta $300 \text{ }^{\circ}\text{C}$ [$572 \text{ }^{\circ}\text{F}$].

7. Software de configuración WIKAsoft_TT

7. Software de configuración WIKAsoft_TT

Seguir las instrucciones del asistente de instalación para instalar el software.

7.1 Iniciar el software

Iniciar el software de configuración haciendo doble clic en el icono WIKAsoft-TT.

Después de haber iniciado el software, se puede cambiar el idioma seleccionando la bandera del país correspondiente.



La selección del puerto COM se efectúa automáticamente.

Después de haber conectado un transmisor (con PU-548) se puede cargar la superficie de configuración activando el botón Inicio.



La superficie de configuración sólo puede cargarse con un dispositivo conectado.



7.2 Proceso de la configuración

Los pasos 1 y 2 se efectúan automáticamente al iniciar el software.

1. “Cargar datos del dispositivo”
2. “Cargar configuración”
3. [opcional] Eliminar la protección contra escritura (símbolo de candado abajo a la derecha)
4. Modificación de los parámetros deseados
→ Sensor/rango de medición/señalización de errores, etc.
5. “Guardar en el instrumento”
6. [opcional] Activar la protección contra escritura
7. [opcional] Imprimir el registro de configuración
8. [opcional] Prueba: “Cargar configuración” → comprobar la configuración

ES

7.3 Diagnóstico de fallos

Aquí se indica el mensaje de errores en caso de un “error detectado por el transmisor”. Ejemplos: rotura de sensor, temperatura máxima admisible sobrepasada, etc.

En caso de funcionamiento se indica aquí “ningún error - ninguna necesidad de mantenimiento”.

7.4 Valores de medición

Trazador de curvas – Aquí se representa el transcurso de los valores de medición en forma de una curva con una tasa de exploración constante en intervalos de tiempo definidos (180 segundos) y un eje de temperatura variable.

El indicador sirve únicamente para la comprobación de funcionamiento y de información.

Una exportación de los datos no es posible.

7.5 Configurar varios instrumentos de manera idéntica

■ Primer instrumento

1. “Cargar configuración”
2. [opcional] Eliminar la protección contra escritura (símbolo de candado abajo a la derecha)
3. Modificación de los parámetros deseados
4. “Guardar en el instrumento”
5. [opcional] Activar la protección contra escritura

7. Software ... / 8. Conectar la unidad de ...

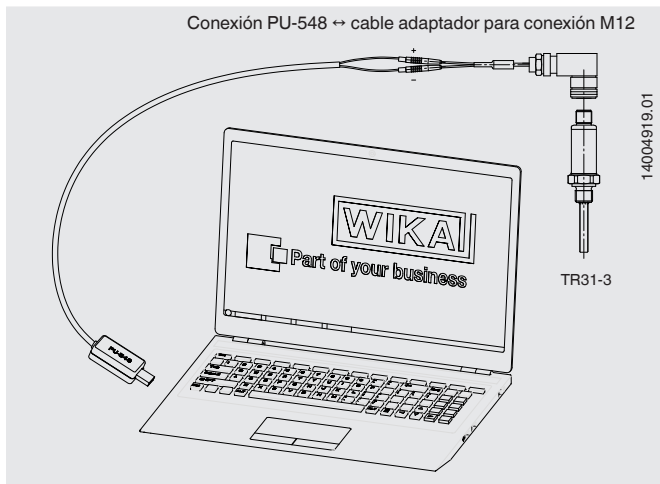
- Todos los instrumentos siguientes
 1. “Cargar datos del dispositivo”
 2. [opcional] Eliminar la protección contra escritura
 3. [opcional] Modificación de los parámetros deseados, p. ej. Número TAG
 4. “Guardar en el instrumento”
 5. [opcional] Activar la protección contra escritura



Para más informaciones véase los datos de contacto, capítulo 1 “Información general” o parte posterior del manual de instrucciones.

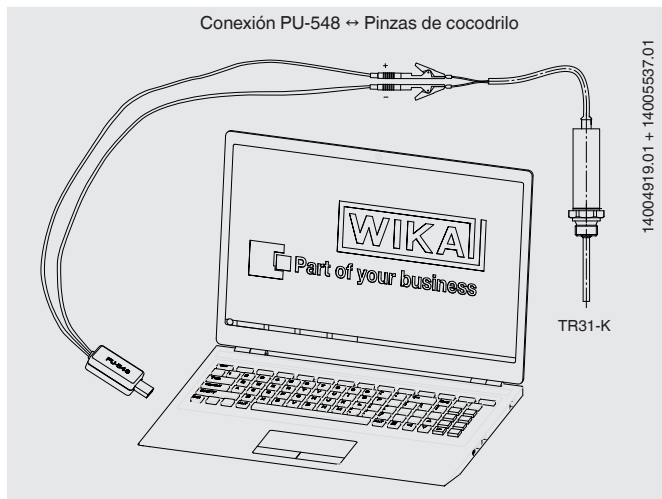
ES

8. Conectar la unidad de programación PU-548



(modelo anterior, unidad de programación modelo PU-448, igualmente compatible)

8. Conectar la unidad de ... / 9. Errores



(modelo anterior, unidad de programación modelo PU-448, igualmente compatible)

9. Errores



¡CUIDADO!

Lesiones corporales, daños materiales y del medio ambiente

Si no se pueden solucionar los defectos mencionados anteriormente se debe poner el dispositivo inmediatamente fuera de servicio.

- ▶ Asegurar que el dispositivo no queda expuesto a presión o una señal y protegerlo contra usos accidentales.
- ▶ Contactar el fabricante.
- ▶ Si necesita devolver el instrumento, observar las indicaciones en el capítulo 11.2 “Devolución”.

9. Errores



¡ADVERTENCIA!

Lesiones corporales, daños materiales y del medio ambiente causados por medios peligrosos

En caso de contacto con medios peligrosos (p. ej. oxígeno, acetileno, inflamables o tóxicos) medios nocivos para la salud (p. ej. corrosivos, tóxicos, cancerígenos, radioactivos) y con sistemas de refrigeración o compresores, existe el peligro de lesiones corporales, daños materiales y al medio ambiente. En caso de fallo es posible que haya medios agresivos con temperaturas extremas o de bajo presión o que haya un vacío en el instrumento.

- ▶ En el tratamiento de estos medios se debe observar las reglas específicas además de las reglas generales.

ES



Datos de contacto ver capítulo 1 “Información general” o parte posterior del manual de instrucciones.

Errores	Causas	Medidas
Sin señal/rotura de cable	Carga mecánica excesiva o temperaturas extremas	Sustituir el sensor o la unidad extraíble por una versión adecuada
Valores de medición erróneos	Desviación por sobretemperatura	Sustituir el sensor o la unidad extraíble por una versión adecuada
	Desviación por ataque químico	Analizar el medio
Valores de medición erróneos (demasiado bajos)	Penetración de humedad en el cable	Utilizar protección IP adecuada
Valores de medición erróneos y tiempos de activación demasiado largos	Geometría de montaje equivocada, p. ej. profundidad de montaje demasiado reducida o disipación de calor demasiado elevada	La zona del sensor sensible a la temperatura debe situarse en el interior del medio y las superficies deben estar aisladas
	Depósitos en la vaina	Eliminar los residuos

9. Errores / 10. Mantenimiento y limpieza

Errores	Causas	Medidas
La indicación del valor de medición salta	Rotura en el cable de conexión o contacto intermitente por sobrecarga mecánica	Sustituir el sensor o usar una sección de cable mayor
Corrosión	La composición del medio no coincide con la composición supuesta o se ha modificado	Analizar el medio
Señal perturbada	Interferencia por campos eléctricos o bucles de tierra	Utilizar líneas de conexión blindadas, aumentar la distancia a motores y líneas bajo corriente
	Bucles de tierra	Eliminar los potenciales, utilizar seccionadores de alimentación o transmisores aislados galvánicamente

ES

10. Mantenimiento y limpieza



Datos de contacto ver capítulo 1 “Información general” o parte posterior del manual de instrucciones.

10.1 Mantenimiento

Las termorresistencias descritas aquí no requieren mantenimiento y no llevan componentes que pudieran ser susceptibles de reparación o sustitución.

10. Mantenimiento y limpieza

10.2 Limpieza



¡CUIDADO!

Lesiones corporales, daños materiales y del medio ambiente

Una limpieza inadecuada provoca lesiones corporales, daños materiales y del medio ambiente. Medios residuales en el instrumento desmontado pueden causar riesgos para personas, medio ambiente e instalación.

- ▶ Realizar el proceso de limpieza tal como se describe a continuación.

ES

- ▶ Antes de limpiar desconectar el instrumento de la red.
- ▶ Limpiar el instrumento con un trapo húmedo.
- ▶ ¡No poner las conexiones eléctricas en contacto con la humedad!



¡CUIDADO!

Daño al dispositivo

¡Una limpieza inadecuada puede dañar el dispositivo!

- ▶ No utilizar productos de limpieza agresivos.
 - ▶ No utilizar objetos duros o puntiagudos para limpiar.
-
- ▶ Enjuagar y limpiar el aparato desmontado para proteger a las personas y el medio ambiente contra peligros por medios residuales adherentes.

11. Desmontaje, devolución y eliminación de residuos

11.1 Desmontaje



¡ADVERTENCIA!

Lesiones corporales, daños materiales y del medio ambiente por medios residuales

En caso de contacto con medios peligrosos (p. ej. oxígeno, acetileno, inflamables o tóxicos) medios nocivos para la salud (p. ej. corrosivas, tóxicas, cancerígenas radioactivas) y con sistemas de refrigeración o compresores existe el peligro de lesiones corporales, daños materiales y del medio ambiente.

- ▶ Enjuagar y limpiar el dispositivo desmontado (tras servicio) antes de proceder a su almacenaje para proteger a las personas y el medio ambiente de la exposición a medios adherentes.
- ▶ Utilizar el equipo de protección necesario (en función de la aplicación correspondiente; el termómetro mismo en principio no es peligroso).
- ▶ Observar la ficha de datos de seguridad correspondiente al medio.

ES

¡Desmontar las termorresistencias sólo si no están sometidas a presión!



¡ADVERTENCIA!

Riesgo de quemaduras

Peligro debido a medios muy calientes que se escapan durante el desmontaje.

- ▶ ¡Dejar enfriar el instrumento lo suficiente antes de desmontarlo!

11.2 Devolución

Es imprescindible observar lo siguiente para el envío del instrumento:

Todos los instrumentos enviados a WIKA deben estar libres de sustancias peligrosas (ácidos, lejías, soluciones, etc.).

11. Desmontaje, devolución y eliminación de ...

Utilizar el embalaje original o un embalaje adecuado para la devolución del instrumento.

Para evitar daños:

1. Envolver el instrumento en un film de plástico antiestático.
2. Colocar el instrumento junto con el material aislante en el embalaje. Aislar uniformemente todos los lados del embalaje de transporte.
3. Si es posible, adjuntar una bolsa con secante.
4. Aplicar un marcaje que indique que se trata de un envío de un instrumento de medición altamente sensible.

ES



Comentarios sobre el procedimiento de las devoluciones encuentra en el apartado “Servicio” en nuestra página web local.

11.3 Eliminación de residuos

Una eliminación incorrecta puede provocar peligros para el medio ambiente. Eliminar los componentes de los instrumentos y los materiales de embalaje conforme a los reglamentos relativos al tratamiento de residuos y eliminación vigentes en el país de utilización.



No eliminar en las basuras domésticas. Garantizar una eliminación correcta según las prescripciones nacionales.

12. Datos técnicos

12. Datos técnicos

Elemento sensible

Tipo de elemento sensible

Versión 4 ... 20 mA (modelo TR31-x-x-TT)	Pt1000 (corriente de medición < 0,3 mA; se puede ignorar el autocalentamiento)
Versión Pt100 (modelo TR31-x-x-Px) / Pt1000 (modelo TR31-x-x-Sx)	<ul style="list-style-type: none">■ Pt100 (corriente de medición: 0,1 ... 1,0 mA)■ Pt1000 (corriente de medición: 0,1 ... 0,3 mA)
	→ Para consultar más detalles acerca de las sondas Pt, véase la información técnica IN 00.17 en www.wika.es .

ES

Tipo de conexionado

Versión 4 ... 20 mA (modelo TR31-x-x-TT)	2 hilos
Versión Pt100 (modelo TR31-x-x-Px) / Pt1000 (modelo TR31-x-x-Sx)	<ul style="list-style-type: none">■ 2 hilos■ 3 hilos■ 4 hilos

Desviación límite del elemento sensible ¹⁾ según IEC 60751

Versión 4 ... 20 mA (modelo TR31-x-x-TT)	Clase A
Versión Pt100 (modelo TR31-x-x-Px) / Pt1000 (modelo TR31-x-x-Sx)	<ul style="list-style-type: none">■ Clase A■ Clase B para 2 hilos

Datos de exactitud (versión de 4 ... 20 mA)

Desviación límite del elemento sensible ¹⁾ según IEC 60751	Clase A
Error de medición del transmisor según IEC 62828	±0,25 K
Error total de medición según IEC 62828	Error de medición del elemento de medición + del transmisor
Influencia de la temperatura ambiente	0,1 % del conjunto de medición del span / 10 K T _a
Influencia de la alimentación auxiliar	±0,025 % / V (en función de la alimentación auxiliar U _B)

12. Datos técnicos

Datos de exactitud (versión de 4 ... 20 mA)

Influencia de la carga	$\pm 0,05\% / 100\ \Omega$
Linealización	Linealidad según IEC 60751
Error de salida	$\pm 0,1\% ^2$
Condiciones de referencia	
Temperatura ambiente T_a ref	23 °C
Alimentación auxiliar U_B ref	DC 12 V

1) Dependiendo de la conexión a proceso, la desviación puede ser mayor.

2) $\pm 0,2\%$ para el inicio del rango de medición inferior a 0 °C [32 °F]

ES

Ejemplo de cálculo: Desviación total de la medición

(rango de medición 0 ... 150 °C, carga 200 Ω , tensión de alimentación 16 V, temperatura ambiente 33 °C, temperatura de proceso 100 °C)

Elemento sensor (clase A según IEC 60751: 0,15+ (0,0020(t))): $\pm 0,350\ K$

Error de medición del transmisor $\pm 0,25\ K$: $\pm 0,250\ K$

Error de salida $\pm(0,1\% \text{ of } 150\ K)$: $\pm 0,150\ K$

Influencia de la carga $\pm(0,05\% / 100\ \Omega \text{ of } 150\ K)$: $\pm 0,150\ K$

Influencia de la alimentación auxiliar $\pm(0,025\% / V \text{ of } 150\ K)$: $\pm 0,150\ K$

Influencia de la temperatura ambiente $\pm(0,1\%/10\ K\ T_a \text{ de } 150\ K)$: $\pm 0,150\ K$

Error de medición (típico)

$\sqrt{0,35\ K^2 + 0,25\ K^2 + 0,15\ K^2 + 0,15\ K^2 + 0,15\ K^2 + 0,15\ K^2}$

$\sqrt{0,275\ K^2} = 0,524\ K$

Error de medición (máximo)

$0,35\ K + 0,25\ K + 0,15\ K + 0,15\ K + 0,15\ K + 0,15\ K = 1,2\ K$

12. Datos técnicos

Rango de medición	
Rango de temperatura	
Versión 4 ... 20 mA (modelo TR31-x-x-TT)	Sin cuello -30 ... +150 °C [-22 ... +302 °F] Con cuello -30 ... +250 °C [-22 ... +482 °F] ^{1) 2)} Versión con junta tórica FKM: -20 ... +125 °C [-4 ... +257 °F]
Versión Pt100 (modelo TR31-x-x-Px) / Pt1000 (modelo TR31-x-x-Sx)	Clase A Sin cuello -30 ... +150 °C [-22 ... +302 °F] Con cuello -30 ... +250 °C [-22 ... +482 °F] ²⁾ Versión con junta tórica FKM: -20 ... +125 °C [-4 ... +257 °F]
	Clase B Sin cuello -50 ... +150 °C [-58 ... +302 °F] Con cuello -50 ... +250 °C [-58 ... +482 °F] ²⁾
Unidad (versión de 4 ... 20 mA)	Configurable °C, °F, K
Temperatura en el conector (versión Pt100, Pt1000)	Max. 85 °C [185 °F]
Rango de medición (versión de 4 ... 20 mA)	Minimum 20 K, maximum 300 K

ES

1) Proteger el transmisor de temperatura de temperaturas superiores a 85 °C [185 °F].

2) La versión con encamisado puede ser utilizada hasta 300 °C [572 °F].

Conexión a proceso	
Tipo de de conexión a proceso	<ul style="list-style-type: none"> ■ G ¼ B ■ G ⅜ B ■ G ½ B ■ ¼ NPT ■ ½ NPT ■ M12 x 1,5 ■ M20 x 1,5 ■ 7/16-20 UNF-2A
Vaina de tubo	
Diámetro de la vaina de tubo	<ul style="list-style-type: none"> ■ 3 mm [0,12 in] ■ 6 mm [0,24 in]

12. Datos técnicos

Conexión a proceso

Longitud de montaje U ₁	<ul style="list-style-type: none">■ 50 mm [1,97 in]■ 75 mm [2,95 in] ¹⁾■ 100 mm [3,94 in] ¹⁾■ 120 mm [4,72 in] ¹⁾■ 150 mm [5,91 in] ¹⁾■ 200 mm [7,87 in] ¹⁾■ 250 mm [9,84 in] ¹⁾■ 300 mm [11,81 in] ¹⁾■ 350 mm [13,78 in] ¹⁾■ 400 mm [15,75 in] ¹⁾
	Otras longitudes de montaje bajo pedido
Material (en contacto con el medio)	Acero inoxidable 1.4571

ES

1) No apto para el diámetro del tubo de protección 3 mm [0,12 pulg]

Si la termorresistencia debe funcionar en una vaina adicional, debe utilizarse un racor deslizante con resorte.

Señal de salida (versión de 4 ... 20 mA)

Salida analógica	4 ... 20 mA, 2 hilos
Configuración de fábrica	
Rango de medición	0 ... 150 °C [32 ... 302 °F] Otros rangos de medición ajustables
Valores de corriente para señalización de errores	Configurable según NAMUR NE 043 descendente ≤ 3.6 mA ascendente ≥ 21.0 mA
Valor de la corriente para el cortocircuito del sensor	No configurable según NAMUR NE 043 descendente ≤ 3.6 mA

Comunicación

Datos informativos	Nº TAG, descripción y mensaje para usuario pueden guardarse en el transmisor
Datos de configuración y calibración	Permanentemente guardados
Software de configuración	WIKAsoft-TT → El software de configuración (en varios idiomas) puede descargarse en www.wika.es

Alimentación de corriente

Alimentación auxiliar U _B	DC 10 ... 30 V
--------------------------------------	----------------

12. Datos técnicos

Señal de salida (versión de 4 ... 20 mA)

Entrada de la energía auxiliar	Protección contra polaridad inversa
Ondulación residual admisible de la tensión de alimentación	10 % de U_B generado < 3 % ondulación de la corriente de salida
Tiempo de respuesta	
Retardo de conexión, eléctrico	Máx. 4 s (tiempo antes del primer valor medido)
Tiempo de calentamiento	Después de aprox. 4 minutos se obtienen los datos técnicos (exactitud) indicados en la hoja técnica.

ES

Condiciones de utilización

Rango de temperaturas ambiente

Conector circular M12 x 1 (modelo TR31-3-x-xx)	
Versión 4 ... 20 mA	-40 ... +85 °C [-40 ... +185 °F] Versión con junta tórica FKM: -20 °C [-4 °F]
Versión Pt100 / Pt1000	-50 ... +85 °C [-58 ... +185 °F] Versión con junta tórica FKM: -20 °C [-4 °F]
Cable conectado directamente (modelo TR31-K-x-xx)	-20 ... +80 °C [-4 ... +176 °F]

Rango de temperatura de almacenamiento

Conector circular M12 x 1 (modelo TR31-3-x-xx)	
Cable conectado directamente (modelo TR31-K-x-xx)	-40 ... +85 °C [-40 ... +185 °F] Versión con junta tórica FKM: -20 °C [-4 °F]
Cable conectado directamente (modelo TR31-K-x-xx)	-20 ... +80 °C [-4 ... +176 °F]

Clase climática según IEC 60654-1

Conector circular M12 x 1 (modelo TR31-3-x-xx)	
Versión 4 ... 20 mA	Cx (-40 ... +85 °C [-40 ... +185 °F], 5 ... 95 % h. r.) Versión con junta tórica FKM: -20 °C [-4 °F]
Versión Pt100 / Pt1000	Cx (-50 ... +85 °C [-58 ... +185 °F], 5 ... 95 % h. r.) Versión con junta tórica FKM: -20 °C [-4 °F]
Cable conectado directamente (modelo TR31-K-x-xx)	Cx (-20 ... +80 °C [-4 ... +176 °F], 5 ... 95 % h. r.) Versión con junta tórica FKM: -20 °C [-4 °F]

12. Datos técnicos

Condiciones de utilización

Humedad máxima admisible, condensación	100 % h. r., rocío admisible
Presión de trabajo máxima ^{1) 2)}	
Para vaina de tubo Ø 3 mm [0,12 in]	140 bar [2.030 psi]
Para vaina de tubo Ø 6 mm [0,24 in]	270 bar [3.916 psi]
Niebla salina	IEC 60068-2-11
Resistencia a la vibración según IEC 60751	10 ... 2.000 Hz, 20 g ¹⁾
Resistencia a choques según IEC 60068-2-27	50 g, 6 ms, 3 ejes, 3 direcciones, 3 veces por dirección
Condiciones para el uso en exteriores (sólo se aplica a la homologación UL)	<ul style="list-style-type: none"> ■ El instrumento es apto para aplicaciones con grado de suciedad 3. ■ La alimentación eléctrica debe ser adecuada para aplicaciones en alturas superiores a 2.000 metros si se quiere utilizar el transmisor de temperatura a partir de esas alturas. ■ El instrumento debe instalarse protegido de la intemperie. ■ El instrumento debe instalarse protegido de la luz solar/radiación ultravioleta.
Material	Acero inoxidable
Protección IP	
Caja con conector enchufado o cable conectado directamente ³⁾	<ul style="list-style-type: none"> ■ IP67 según IEC/EN 60529 ■ IP69 según IEC/EN 60529 ■ IP69K según ISO 20653 <p>Las clases de protección indicadas sólo son válidas en estado conectado con clavijas de cables y terminales según el modo de protección correspondiente.</p>
Conectar sin enchufar	IP67 según IEC/EN 60529
Peso	Aprox. 0,2 ... 0,7 kg [0,44 ... 1,54 lbs] - según la versión

1) Depende de la versión

2) Presión de trabajo reducida cuando se utiliza un racor de apriete:

Acero inoxidable = máx. 100 bar [1.450 psi] / PTFE = máx. 8 bar [116 psi]

3) No se ha probado con UL

ES

12. Datos técnicos

Patentes/derechos de propiedad

**Adaptador M12 x 1 a conector angular
DIN EN 175301-803**

Nº 001370985

→ Para más datos técnicos consulte la hoja técnica de WIKA TE 60.31 y la documentación de pedido.

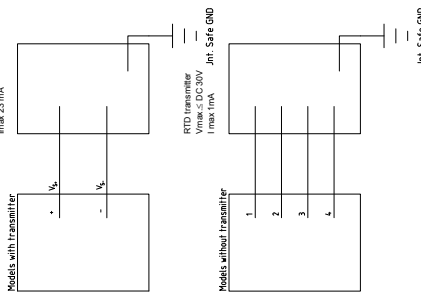
ES

Installation in ordinary locations

For information only, do not obligatory

Electrical ratings TR21-*, Z-*, TR31-*, Z-*, TR33-Z-*

Class III equipment (4-20mA loop) supplied by a Class III supply (SELV or PELV)
 $V_{max} \leq$ DC 30 V
 $I_{max} \leq$ 23 mA



"Warning - Refer to accompanying installation, operating & service instructions for safe and proper usage."

French warning text
 "AVERTISSEMENT: Se référer aux instructions concernant l'installation, le fonctionnement et le service pour une utilisation sûre et correcte."

Notes:

- The power supply for the thermometer with built in transmitter must be made via a limited-energy electrical circuit in accordance with UL/EN/IEC 6010-1, or LPS according to UL/EN/IEC 60950-1, or (for North American class 2 in accordance with UL1310/UL1585 (NEC) or in accordance with CAN/CSA C22.2 No. 223-M91 (Class 2 Power Supplies) and CAN/CSA C22.2 No. 663-06 (Class 2/Class 3 Transformers). The power supply must be suitable for operation above 2,000 m if the thermometer should be used at this altitude
- No revision to this drawing without prior approval.

WIKA subsidiaries worldwide can be found online at www.wika.com.
WIKA-Niederlassungen weltweit finden Sie online unter www.wika.de.
La liste des filiales WIKA dans le monde se trouve sur www.wika.fr.
Sucursales WIKA en todo el mundo puede encontrar en www.wika.es.



WIKAL Alexander Wiegand SE & Co. KG

Alexander-Wiegand-Strasse 30

63911 Klingenberg • Germany

Tel. +49 9372 132-0

Fax +49 9372 132-406

info@wika.de

www.wika.de