

## Longlife digital thermometer Model TF-LCD

WIKA data sheet TE 85.01

### Applications

- Cooling industry
- Heating, ventilation, air-conditioning
- Refrigeration technology

### Special features

- Waterproof case IP68
- Battery or solar operation
- Extremely long service life



Longlife digital thermometer, model TF-LCD

### Description

The model TF-LCD digital thermometer is used for industrial temperature measurement in the cooling and refrigeration industry as well as in heating technology. The easy-to-read LC display is powered by a built-in battery or an integrated solar cell.

A measuring line with a maximum length of 3 metres enables the display to be installed flexibly and independently of the measuring location.

# Specifications

Basic information	
Case	Plastic
Mounting option	Panel mounting with spring clips up to 3 mm wall thickness
Measuring line	
Measuring line outlet	Back mount
Length	Max. 3 m [9.8 ft]
Material (wetted)	Plastic (PE)

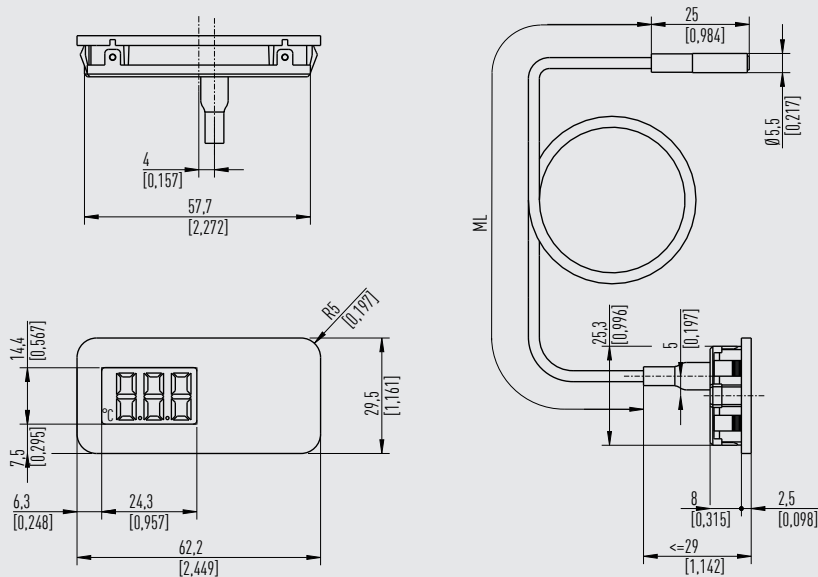
Accuracy specifications	
Indication accuracy	±1 K

Measuring range		
Measuring range	-50 ... +120 °C [-58 ... +248 °F]	
	Note: Exceeding or falling below the measuring range is not permissible as it will lead to a defect of the instrument. Make sure that the temperature at the case does not exceed or fall below the permissible temperature.	
Digital display		
Type of indication	LC display	
Indication range	<ul style="list-style-type: none"> <li>■ -39.9 ... +39.9 °C</li> <li>■ -39.9 ... +49.9 °C</li> <li>■ 0 ... 120 °C</li> <li>■ -39.9 ... +99.9 °F</li> </ul>	
	Note: When exceeding or falling below the scale range, the display starts flashing and no longer shows correct values. Once the medium temperature is within the scale range again, the display switches back to display mode.	
Display resolution	-39.9 ... +39.9 °C	0.1 °C
	-39.9 ... +49.9 °C	0.1 °C
	0 ... 120 °C	1 °C
	-39.9 ... +99.9 °F	0.1 °F
Minimum lighting strength (solar panel)	Cold light	> 140 Lux
	Daylight	> 80 Lux
Character size	12 mm	
Supply voltage	Power supply via built-in battery or integrated solar cell	

Operating conditions	
Ambient temperature range	-30 ... +60 °C [-22 ... +140 °F]
Storage temperature range	-20 ... +50 °C [-4 ... +122 °F]
Ingress protection of the entire instrument	IP68

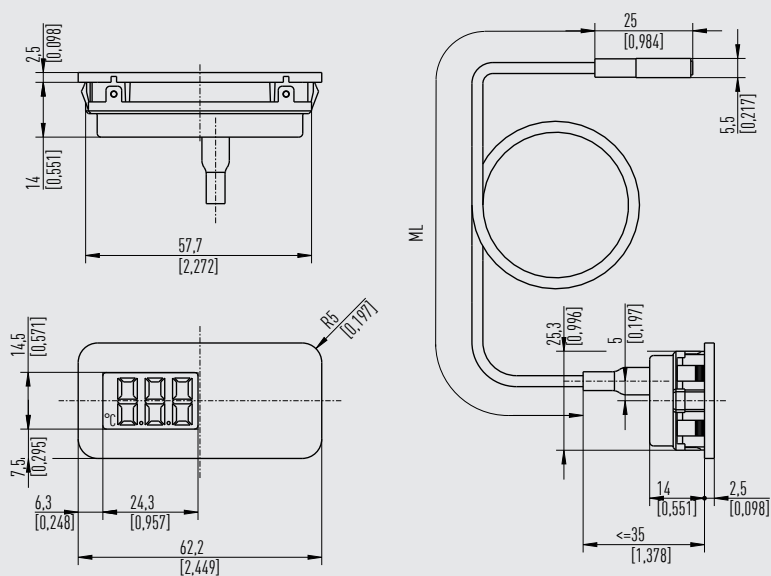
## Dimensions in mm [in]

### Solar



14204741.02

### Battery



14204741.02

### Ordering information

Model / Supply voltage / Scale range / Measuring line length

© 05/2007 WIKA Alexander Wiegand SE & Co. KG, all rights reserved.  
The specifications given in this document represent the state of engineering at the time of publishing.  
We reserve the right to make modifications to the specifications and materials.

