

Gas cylinder scale model GCS-1

EN

Gasflaschenwaage Typ GCS-1

DE

Balance pour bouteilles de gaz type GCS-1

FR

Bilancia per bombole modello GCS-1

IT



Gas cylinder scale model GCS-1

<b>EN</b>	<b>Operating instructions model GCS-1</b>	<b>Page</b>	<b>3 - 18</b>
<b>DE</b>	<b>Betriebsanleitung Typ GCS-1</b>	<b>Seite</b>	<b>19 - 34</b>
<b>FR</b>	<b>Mode d'emploi type GCS-1</b>	<b>Page</b>	<b>35 - 50</b>
<b>IT</b>	<b>Manuale d'uso, modello GCS-1</b>	<b>Pagina</b>	<b>51 - 66</b>

© 05/2003 WIKA Alexander Wiegand SE & Co. KG  
 All rights reserved. / Alle Rechte vorbehalten.

WIKA® is a registered trademark in various countries.  
 WIKA® ist eine geschützte Marke in verschiedenen Ländern.

Prior to starting any work, read the operating instructions!  
 Keep for later use!

Vor Beginn aller Arbeiten Betriebsanleitung lesen!  
 Zum späteren Gebrauch aufbewahren!

Lire le mode d'emploi avant de commencer toute opération !  
 A conserver pour une utilisation ultérieure !

Prima di iniziare ad utilizzare lo strumento, leggere il manuale d'uso!  
 Conservare per future consultazioni!

# Contents

<b>1. General information</b>	<b>4</b>
<b>2. Design and function</b>	<b>5</b>
2.1 Overview . . . . .	5
2.2 Description . . . . .	5
2.3 Scope of delivery . . . . .	5
<b>3. Safety</b>	<b>6</b>
3.1 Explanation of symbols . . . . .	6
3.2 Intended use . . . . .	6
3.3 Improper use . . . . .	7
3.4 Personnel qualification . . . . .	7
3.5 Additional safety instructions for gas cylinder scale per ATEX . . . . .	7
3.6 Special hazards . . . . .	8
3.7 Labelling/Safety marks . . . . .	9
3.8 Ex marking . . . . .	9
3.9 Special conditions for use (X conditions) . . . . .	10
<b>4. Transport, packaging and storage</b>	<b>10</b>
4.1 Transport. . . . .	10
4.2 Packaging and storage . . . . .	10
<b>5. Commissioning</b>	<b>11</b>
<b>6. Setting of zero point/span</b>	<b>13</b>
<b>7. Faults</b>	<b>14</b>
<b>8. Maintenance and cleaning</b>	<b>15</b>
8.1 Maintenance . . . . .	15
8.2 Cleaning . . . . .	15
<b>9. Return and disposal</b>	<b>16</b>
9.1 Return. . . . .	16
9.2 Disposal . . . . .	16
<b>10. Specifications</b>	<b>17</b>
10.1 Approvals, directives and certificates. . . . .	18
10.2 Safety-related maximum values . . . . .	18
<b>Annex 1: EU declaration of conformity</b>	<b>67</b>

## 1. General information

- The gas cylinder scale described in the operating instructions has been designed and manufactured using state-of-the-art technology. All components are subject to stringent quality and environmental criteria during production. Our management systems are certified to ISO 9001 and ISO 14001.
- These operating instructions contain important information on handling the instrument. Working safely requires that all safety instructions and work instructions are observed.
- Observe the relevant local accident prevention regulations and general safety regulations for the instrument's range of use.
- The operating instructions are part of the product and must be kept in the immediate vicinity of the instrument and readily accessible to skilled personnel at any time. Pass the operating instructions on to the next operator or owner of the instrument.
- Skilled personnel must have carefully read and understood the operating instructions prior to beginning any work.
- The manufacturer's liability is void in the case of any damage caused by using the product contrary to its intended use, non-compliance with these operating instructions, assignment of insufficiently qualified skilled personnel or unauthorised modifications to the instrument.
- The general terms and conditions contained in the sales documentation shall apply.
- Subject to technical modifications.
- Further information:
  - Internet address: [www.wika.de](http://www.wika.de)
  - Relevant data sheet: PE 87.19
  - Application consultant: Tel.: +49 9372/132-0  
Fax: +49 9372/132-406  
E-Mail: [info@wika.com](mailto:info@wika.com)

### Abbreviations

2-wire	Two connection lines are used for the voltage supply. The measuring signal also provides the supply current.
U <sub>+</sub>	Positive power supply terminal
U <sub>-</sub>	Negative power supply terminal
S <sub>+</sub>	Positive output terminal
S <sub>-</sub>	Negative output terminal



### 3. Safety

#### 3.1 Explanation of symbols

EN



**WARNING!**

... indicates a potentially dangerous situation that can result in serious injury or death, if not avoided.



**WARNING!**

... indicates a potentially dangerous situation in the hazardous area that can result in serious injury or death, if not avoided.



**CAUTION!**

... indicates a potentially dangerous situation that can result in light injuries or damage to property or the environment, if not avoided.



**Information**

... points out useful tips, recommendations and information for efficient and trouble-free operation.

#### 3.2 Intended use



**WARNING!**

**Serious physical injury and/or property damage caused by using incorrect product version**

If an incorrect gas cylinder scale is selected with regard to the measuring range, version and specific measuring conditions, serious physical injuries and/or damage to property can result.

- ▶ Before installation, commissioning and operation, ensure that the appropriate gas cylinder scale has been selected.

The gas cylinder scale is used to measure mass.

The instrument has been designed and built solely for the intended use described here, and may only be used accordingly.

The technical specifications contained in these operating instructions must be observed. Improper handling or operation of the instrument outside of its technical specifications requires the instrument to be taken out of service immediately and inspected by an authorised WIKA service engineer.

The manufacturer shall not be liable for claims of any type based on operation contrary to the intended use.

### 3.3 Improper use

**WARNING!****Injuries through improper use**

Improper use of the instrument can lead to hazardous situations and injuries.

- ▶ Refrain from unauthorised modifications to the instrument.

Any use beyond or different to the intended use is considered as improper use.

### 3.4 Personnel qualification

**WARNING!****Risk of injury should qualification be insufficient!**

Improper handling can result in considerable injury and damage to property.

- ▶ The activities described in these operating instructions may only be carried out by skilled personnel who have the qualifications described below.
- ▶ Keep unqualified personnel away from hazardous areas.

#### Skilled personnel

Skilled personnel are understood to be personnel who, based on their technical training, knowledge of measurement and control technology and on their experience and knowledge of country-specific regulations, current standards and directives, are capable of carrying out the work described and independently recognising potential hazards.

#### Special knowledge for working with instruments for hazardous areas:

The skilled personnel must have knowledge of ignition protection types, regulations and provisions for equipment in hazardous areas.

Special operating conditions require further appropriate knowledge, e.g. of aggressive media.

### 3.5 Additional safety instructions for gas cylinder scale per ATEX

**WARNING!****Danger to life due to loss of explosion protection**

Non-observance of these instructions and their contents may result in the loss of explosion protection.

- ▶ For operation in hazardous areas, observe the lower voltage levels in accordance with chapter 10.2 "Safety-related maximum values".
- ▶ Observe the following instructions:

- Actions or alterations to the gas cylinder scale, which are not described in these operating instructions, are not permitted.
- If faults cannot be eliminated, the gas cylinder scale must be taken out of operation immediately and prevented from being accidentally put back into service.
- Always operate the gas cylinder scale within its overload limits.
- Observe the operating parameters in accordance with chapter 10 “Specifications”.
- Ground the cable shield at one end, preferably in the safe non-Ex area (EN 60079-14). For instruments with cable outlet, the shield is connected to the case. An additional connection of the shield is only permitted if any potential losses between the shield connection (e.g. at the supply unit) and the case can be avoided (see EN 60079-14).
- Connect the gas cylinder scale with marking “Ex nA IIC T4/T5” to a power and signal circuit with transient protection in accordance with EN 60079-15, chapter 23 C.
- Disconnect the gas cylinder scale with the marking Ex nA, or when it is operated under nA conditions, only after the power has been turned off.
- Fine-stranded leads with bare ends must be finished with end splices (cable preparation)
- Provide equipotential bonding between the ground at the voltage supply and the gas cylinder and/or the installation, in case they are connected conductively.

### 3.6 Special hazards



#### **WARNING!**

Observe the information given in the applicable type examination certificate and the relevant country-specific regulations for installation and use in hazardous areas (e.g. IEC 60079-14, NEC, CEC). Non-observance can result in serious injury and/or damage to property.

For additional important safety instructions for instruments per ATEX, → see chapter 3.5 “Additional safety instructions for gas cylinder scale per ATEX”



#### **WARNING!**

#### **Physical injuries and damage to property and the environment caused by hazardous media**

Improper handling with hazardous media, such as, for example, oxygen, acetylene, flammable or toxic substances, as well as in refrigeration systems, compressors etc., can cause dangerous or harmful media to escape into the environment, which can lead to damage or injury.

- ▶ Observe general rules and relevant regulations.





## WARNING!

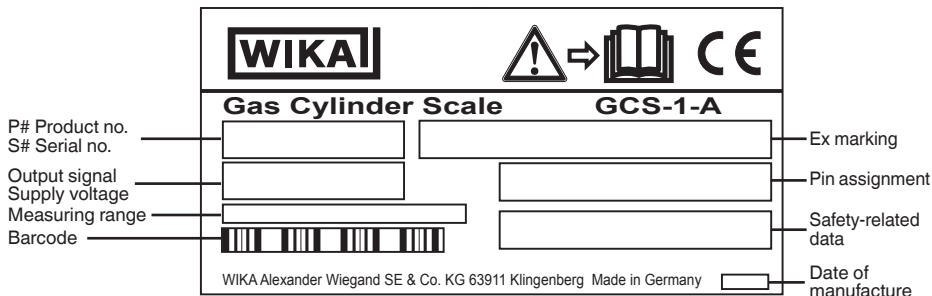
### Physical injuries and damage to property and the environment through residual media

Residual media in dismantled gas cylinder scales can result in a risk to persons, the environment and equipment.

- ▶ Take sufficient precautionary measures.

## 3.7 Labelling/Safety marks

### Product label



### Explanation of symbols



Before mounting and commissioning the instrument, ensure you read the operating instructions!

## 3.8 Ex marking



### DANGER!

#### Danger to life due to loss of explosion protection

Non-observance of these instructions and their contents may result in the loss of explosion protection.

- ▶ Observe the safety instructions in this chapter and further explosion instructions in these operating instructions.
- ▶ Observe the information given in the applicable type examination certificate and the relevant country-specific regulations for installation and use in hazardous areas (e.g. IEC 60079-14, NEC, CEC).

Check whether the classification is suitable for the application. Observe the relevant national regulations.

### 3.9 Special conditions for use (X conditions)

- The cap protecting the two potentiometers for adjusting zero and span shall not be removed when explosive atmosphere is present.
- Additional clamping of the cable is provided by the manufacturer. This clamping shall not be removed.

EN

## 4. Transport, packaging and storage

### 4.1 Transport

Check the gas cylinder scale for any damage that may have been caused during transportation.

Obvious damage must be reported immediately.



#### **CAUTION!**

#### **Damage through improper transport**

With improper transport, a high level of damage to property can occur.

- ▶ When unloading packed goods upon delivery as well as during internal transport, proceed carefully and observe the symbols on the packaging.

### 4.2 Packaging and storage

Do not remove packaging until just before mounting.

Keep the packaging as it will provide optimum protection during transport (e.g. change in installation site, sending for repair).

#### **Permissible conditions at the place of storage:**

Storage temperature: -20 ... +60 °C [-4 ... +140 °F]

#### **Avoid exposure to the following factors:**

- Direct sunlight or proximity to hot objects
- Mechanical vibration, mechanical shock (putting it down hard)
- Soot, vapour, dust and corrosive gases
- Hazardous environments, flammable atmospheres (for version without explosion protection)

Store the gas cylinder scale in its original packaging in a location that fulfils the conditions listed above. If the original packaging is not available, pack and store the instrument as described below:

1. Wrap the instrument in an antistatic plastic film.
2. Place the instrument, along with the shock-absorbent material, in the packaging.
3. If stored for a prolonged period of time (more than 30 days), place a bag containing a desiccant inside the packaging.

### 5. Commissioning



#### **DANGER!**

#### **Danger to life from explosion!**

Through working in flammable atmospheres, there is a risk of explosion which can cause death.

- ▶ Only carry out set-up work in non-hazardous environments!

EN

#### Electrical mounting



#### **DANGER!**

#### **Danger to life due to loss of explosion protection**

Non-observance of these instructions and their contents, as well as improper equipotential bonding, may result in the loss of explosion protection.

- ▶ Observe the following instructions for a safe equipotential bonding:



- An equipotential bonding connection facility is provided nearby the cable entry:  
Screw M6 (6 mm)
- The cable clamp must not be removed (→ see chapter 3.9 “Special conditions for use (X conditions)”)
- Use a conductor with a cross-section of at least 4 mm<sup>2</sup>.
- The connection shall be corrosion-resistant and locked against rotation.
- Only ground the shield of the supply line at one end.
- The shield of the supply line is internally connected to the case.



If the equipotential bonding is made via the shield of the supply line and also via a separate 4 mm<sup>2</sup> cable on the case, attention must be paid to potential differences. Compensating currents (ground loops) should be avoided.

## 5. Commissioning, operation

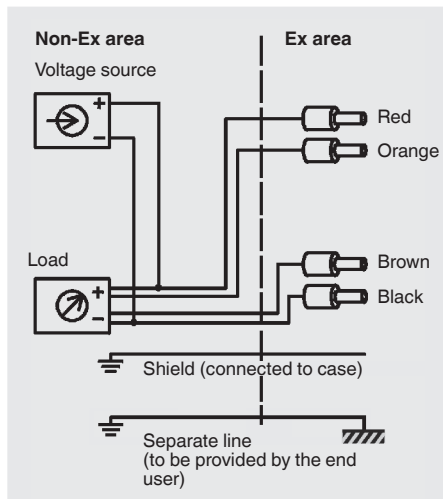
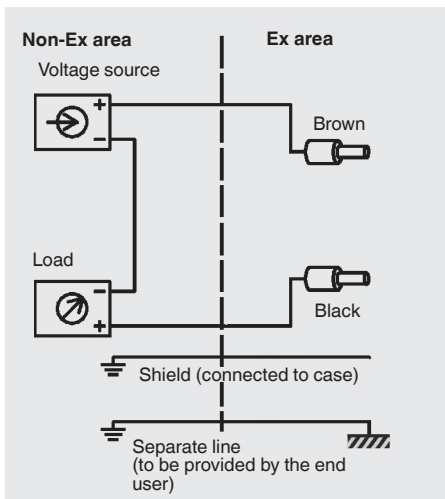
### Pin assignment (2-wire)

U+/S+	Brown (BN)
U-/S-	Black (BK)

### Pin assignment (4-wire)

U+	Red (RD)
S+	Orange (OG)
U-	Black (BK)
S-	Brown (BN)

EN



The shield is connected to the case.  
Ensure that no moisture can enter at the cable end.

### Functional check

The output signal must be proportional to the mass. If this is not the case, this may indicate a damaged measuring cell. In this case, see chapter 7 "Faults".



When weighing a gas cylinder make sure that the gas cylinder scale is seated on a solid and level base and that it cannot catch on any other objects.

### 6. Setting of zero point/span



#### **DANGER!**

#### **Danger to life from explosion!**

Through setting the zero point or the span in flammable atmospheres, there is a risk of explosion which can cause death.

- ▶ Only carry out zero point settings and span settings outside the hazardous area.
- ▶ Ensure that the surrounding atmosphere is not dangerous (not explosive).

EN

#### **Preparation**

1. Unscrew the protective screw connection with a screwdriver (see figure A).
  - ▶ Access to the potentiometers is open.
2. Introduce a reference mass which is at least 3 times as accurate as the given accuracy.

#### **Setting the zero point**

1. Remove the load from the gas cylinder scale.
2. By adjusting the signal to 4 mA, the zero point can be set (see figure B).

#### **Setting the span**

1. Set the span by loading the scale with the appropriate reference mass and adjusting the signal to 20 mA.
2. Check the zero point.
3. If the zero point is not right, repeat the procedure.
4. Screw the sealing cap with seal back in, in order to close the potentiometer entry.

## 6. Setting of zero point/span / 7. Faults



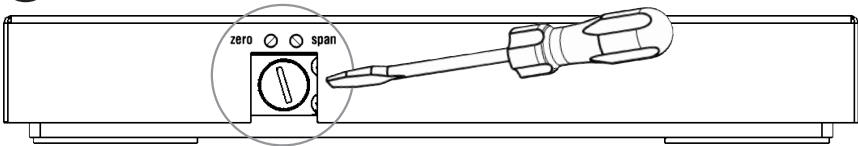
### **DANGER!**

#### **Danger to life from explosion!**

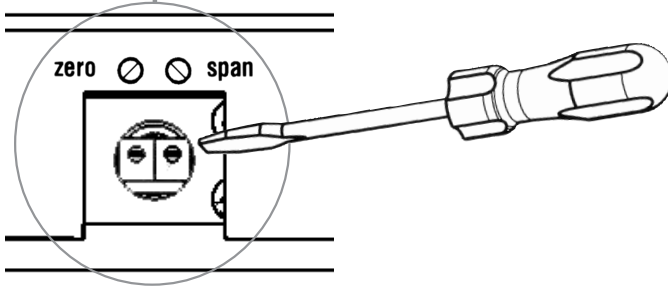
Through setting the zero point or the span in flammable atmospheres, there is a risk of explosion which can cause death.

- ▶ Only carry out zero point settings and span settings outside the hazardous area.
- ▶ Ensure that the surrounding atmosphere is not dangerous (not explosive).

**A**



**B**



After the adjustment, check that the system is functioning correctly.  
Recommended recalibration cycle: 1 year

## 7. Faults

Fault	Causes	Measure
No output signal	No supply voltage	Check voltage supply
	Cable break	Check the continuity
	Wiring reversed	Rectify polarity
	Gas cylinder scale defective due to incorrect supply voltage or current pulse	Replace the gas cylinder scale

## 7. Faults / 8. Maintenance and cleaning

EN

Fault	Causes	Measure
<b>Constant output signal upon change in weight</b>	Scales platform blocked	Check the scale is free-standing
	Mechanical overload	Replace the gas cylinder scale
	Gas cylinder scale defective due to incorrect supply voltage or current pulse	Replace the gas cylinder scale
<b>Signal too low</b>	Supply voltage too low	Check the supply voltage
	Load too high	Rectify the load or supply voltage
	Mechanical overload	Recalibrate the gas cylinder scale Replace the gas cylinder scale
<b>Zero point signal too low or too high</b>	Mechanical overload	Recalibrate the gas cylinder scale Replace the gas cylinder scale
		Replace the gas cylinder scale
<b>Signal characteristic non-linear</b>	Mechanical overload	Replace the gas cylinder scale

If faults cannot be eliminated by means of the listed measures, the gas cylinder scale must be taken out of operation immediately and prevented from being accidentally put back into service. In this case, contact the manufacturer.



If a return is needed, please follow the instructions given in chapter 9.1 “Return”.

## 8. Maintenance and cleaning

### 8.1 Maintenance

The gas cylinder scale is maintenance-free.

Repairs must only be carried out by the manufacturer.

### 8.2 Cleaning



#### **CAUTION!**

#### **Damage to the gas cylinder scale**

Improper cleaning may lead to damage to the gas cylinder scale.

- ▶ Electrical connections must not come into contact with moisture.
- ▶ Do not use any aggressive cleaning agents.
- ▶ Do not use any hard or pointed objects for cleaning.

### 9. Return and disposal

EN



#### **WARNING!**

#### **Physical injuries and damage to property and the environment through residual media**

Residual media in dismantled gas cylinder scales can result in a risk to persons, the environment and equipment.

- ▶ Take sufficient precautionary measures.

#### 9.1 Return

##### **Strictly observe the following when shipping the instrument:**

All instruments delivered to WIKA must be free from any kind of hazardous substances (acids, bases, solutions, etc.) and must therefore be cleaned before being returned.

When returning the instrument, use the original packaging or a suitable transport packaging.

##### **To avoid damage:**

1. Wrap the instrument in an antistatic plastic film.
2. Place the instrument, along with the shock-absorbent material, in the packaging. Place shock-absorbent material evenly on all sides of the transport packaging.
3. If possible, place a bag, containing a desiccant, inside the packaging.
4. Label the shipment as transport of a highly sensitive measuring instrument.

Enclose the completed return form with the instrument.



Information on returns can be found under the heading “Service” at [www.wika.com](http://www.wika.com).

#### 9.2 Disposal

Incorrect disposal can put the environment at risk.

Dispose of instrument components and packaging materials in an environmentally compatible way and in accordance with the country-specific waste disposal regulations.



Do not dispose of with household waste. Ensure a proper disposal in accordance with national regulations.



## 10. Specifications

Specifications	
<b>Measuring range</b>	See product label
<b>Overload limit</b>	
Measuring range 0 ... 27.22 kg [0 ... 60 lbs]	4 times
Measuring range 0 ... 45.36 kg [0 ... 100 lbs]	3 times
Measuring range 0 ... 136.08 kg [0 ... 300 lbs]	2.5 times
<b>Non-linearity per BFSL per IEC 61298-2</b>	≤ 0.05 % of span
<b>Max. measured error of the analogue signal per IEC 61298-2</b>	≤ 0.1 % of span
<b>Adjustability of zero point and span</b>	±5 % through built-in potentiometer
<b>Long-term stability (per month)</b>	≤ 0.04 % of span (at reference condition)
<b>Mean temperature coefficients in rated temperature range</b>	
Zero point	≤ ±0.1 % of span/10 K
Span	≤ ±0.1 % of span/10 K
<b>Reference conditions</b>	Per IEC 61298-1
<b>Output signal</b>	See product label
<b>Load</b>	Model GCS-1-A ≤ (supply voltage - 10 V) / 0.02 A
	Model GCS-1-G > 5 kΩ
	Model GCS-1-F > 10 kΩ
<b>Supply voltage</b>	DC 14 ... 30 V
<b>Max. output current</b>	≤ 35 mA
<b>Electrical connection</b>	Cable outlet
<b>Cable length</b>	6 m [20 ft]
<b>Short-circuit resistance</b>	S+ vs. U-
<b>Reverse polarity protection</b>	U+ vs. U
<b>Insulation voltage</b>	DC 500 V
<b>Free fall</b>	Resistant to impact of 90 kg from a height of 10 cm
<b>Ingress protection (IP code) per IEC 60529, industrial quality</b>	IP65
<b>Ex marking (option)</b>	See product label

# 10. Specifications

EN

Specifications	
Operating temperature range	-20 ... +50 °C [-4 ... +122 °F]
Ambient temperature range	<ul style="list-style-type: none"> <li>■ -20 ... +50 °C [-4 ... +122 °F] (T4)</li> <li>■ -20 ... +40 °C [-4 ... +104 °F] (T5)</li> </ul>
Storage temperature range	-20 ... +60 °C [-4 ... +140 °F]
Materials	
Sensor	Aluminium
Case	Stainless steel
Base plate	Stainless steel

## 10.1 Approvals, directives and certificates

### CE conformity

- EMC directive EN 61326 emission (group 1, class B) and immunity (industrial application)
- ATEX directive Ignition protection type “n”

Specification	Ignition protection type
ATEX	II 3G Ex nA IIC T4/T5 Gc X
IECEX	BVS 16.0001X Ex nA IIC T4/T5 Gc

## 10.2 Safety-related maximum values

Model	Supply voltage U <sub>+</sub>	Power P <sub>max</sub>	Ignition protection type
GCS-1-A (4 ... 20 mA)	DC 14 ... 24 V	1 W	Ex nA IIC T4/T5 Gc X
			IECEX BVS 16.0001X Ex nA IIC T4/T5 Gc
GCS-1-G (DC 0 ... 5 V)	DC 14 ... 24 V	1 W	Ex nA IIC T4/T5 Gc X
			IECEX BVS 16.0001X Ex nA IIC T4/T5 Gc
GCS-1-F (DC 0 ... 10 V)	DC 14 ... 24 V	1 W	Ex nA IIC T4/T5 Gc X
			IECEX BVS 16.0001X Ex nA IIC T4/T5 Gc

11145676.09 03/2022 EN/DE/FR/IT

# Inhalt

<b>1. Allgemeines</b>	<b>20</b>
<b>2. Aufbau und Funktion</b>	<b>21</b>
2.1 Überblick . . . . .	21
2.2 Beschreibung . . . . .	21
2.3 Lieferumfang . . . . .	21
<b>3. Sicherheit</b>	<b>22</b>
3.1 Symbolerklärung . . . . .	22
3.2 Bestimmungsgemäße Verwendung . . . . .	22
3.3 Fehlgebrauch . . . . .	23
3.4 Personalqualifikation . . . . .	23
3.5 Zusätzliche Sicherheitshinweise für Gasflaschenwaage nach ATEX. . . . .	24
3.6 Besondere Gefahren. . . . .	25
3.7 Beschilderung/Sicherheitskennzeichnungen . . . . .	25
3.8 Ex-Kennzeichnung . . . . .	26
3.9 Besondere Bedingungen für die Verwendung (X-Conditions) . . . . .	26
<b>4. Transport, Verpackung und Lagerung</b>	<b>26</b>
4.1 Transport. . . . .	26
4.2 Verpackung und Lagerung . . . . .	26
<b>5. Inbetriebnahme</b>	<b>27</b>
<b>6. Einstellung Nullpunkt/Spanne</b>	<b>29</b>
<b>7. Störungen</b>	<b>30</b>
<b>8. Wartung und Reinigung</b>	<b>31</b>
8.1 Wartung . . . . .	31
8.2 Reinigung . . . . .	31
<b>9. Rücksendung und Entsorgung</b>	<b>32</b>
9.1 Rücksendung . . . . .	32
9.2 Entsorgung . . . . .	32
<b>10. Technische Daten</b>	<b>33</b>
10.1 Zulassungen, Richtlinien und Zertifikate. . . . .	34
10.2 Sicherheitstechnische Höchstwerte . . . . .	34
<b>Anlage 1: EU-Konformitätserklärung</b>	<b>67</b>

## 1. Allgemeines

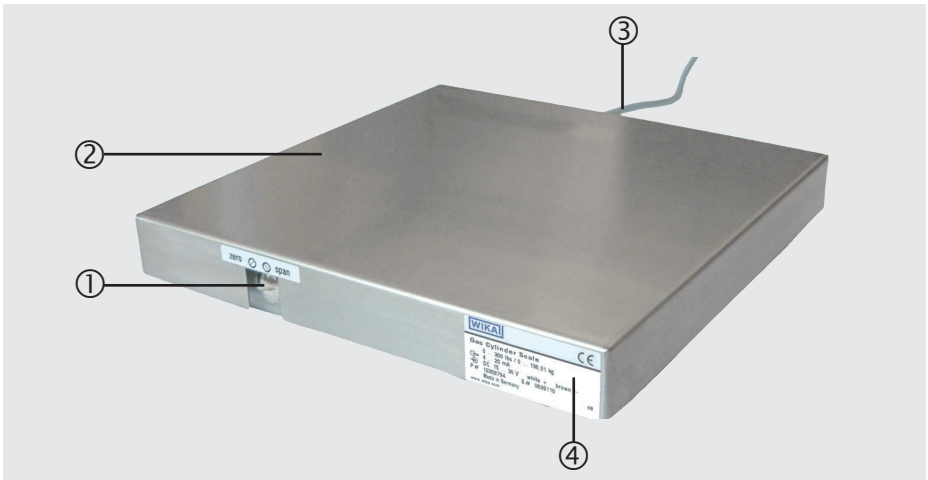
- Die in der Betriebsanleitung beschriebene Gasflaschenwaage wird nach den neuesten Erkenntnissen konstruiert und gefertigt. Alle Komponenten unterliegen während der Fertigung strengen Qualitäts- und Umweltkriterien. Unsere Managementsysteme sind nach ISO 9001 und ISO 14001 zertifiziert.
- Diese Betriebsanleitung gibt wichtige Hinweise zum Umgang mit dem Gerät. Voraussetzung für sicheres Arbeiten ist die Einhaltung aller angegebenen Sicherheitshinweise und Handlungsanweisungen.
- Die für den Einsatzbereich des Gerätes geltenden örtlichen Unfallverhütungsvorschriften und allgemeinen Sicherheitsbestimmungen einhalten.
- Die Betriebsanleitung ist Produktbestandteil und muss in unmittelbarer Nähe des Gerätes für das Fachpersonal jederzeit zugänglich aufbewahrt werden. Betriebsanleitung an nachfolgende Benutzer oder Besitzer des Gerätes weitergeben.
- Das Fachpersonal muss die Betriebsanleitung vor Beginn aller Arbeiten sorgfältig durchgelesen und verstanden haben.
- Die Haftung des Herstellers erlischt bei Schäden durch bestimmungswidrige Verwendung, Nichtbeachten dieser Betriebsanleitung, Einsatz ungenügend qualifizierten Fachpersonals sowie eigenmächtiger Veränderung am Gerät.
- Es gelten die allgemeinen Geschäftsbedingungen in den Verkaufsunterlagen.
- Technische Änderungen vorbehalten.
- Weitere Informationen:
  - Internet-Adresse: [www.wika.de](http://www.wika.de)
  - Zugehöriges Datenblatt: PE 87.19
  - Anwendungsberater: Tel.: +49 9372/132-0  
Fax: +49 9372/132-406  
E-Mail: [info@wika.com](mailto:info@wika.com)

### Abkürzungen

- 2-Leiter Zwei Anschlussleitungen dienen zur Spannungsversorgung.  
Der Speisestrom ist das Messsignal
- U<sub>+</sub> Positiver Versorgungsanschluss  
U<sub>-</sub> Negativer Versorgungsanschluss  
S<sub>+</sub> Positiver Messanschluss  
S<sub>-</sub> Negativer Messanschluss

## 2. Aufbau und Funktion

### 2.1 Überblick



DE

- ① Potentiometer
- ② Wiegefläche
- ③ Elektrischer Anschluss
- ④ Typenschild

### 2.2 Beschreibung

Mit der Gasflaschenwaage wird die Masse der Gasflasche und deren Inhalt gemessen und in ein elektrisches Signal umgewandelt. Dieses elektrische Signal verändert sich proportional zur Masse und kann entsprechend ausgewertet werden.

### 2.3 Lieferumfang

- Gasflaschenwaage mit 6 m Kabelausgang
- Prüfbericht
- Schraube, M6

Lieferumfang mit dem Lieferschein abgleichen.

### 3. Sicherheit

#### 3.1 Symbolerklärung

**WARNUNG!**

... weist auf eine möglicherweise gefährliche Situation hin, die zum Tod oder zu schweren Verletzungen führen kann, wenn sie nicht gemieden wird.

**WARNUNG!**

... weist auf eine möglicherweise gefährliche Situation im explosionsgefährdeten Bereich hin, die zum Tod oder zu schweren Verletzungen führen kann, wenn sie nicht gemieden wird.

**VORSICHT!**

... weist auf eine möglicherweise gefährliche Situation hin, die zu geringfügigen oder leichten Verletzungen bzw. Sach- und Umweltschäden führen kann, wenn sie nicht gemieden wird.

**Information**

... hebt nützliche Tipps und Empfehlungen sowie Informationen für einen effizienten und störungsfreien Betrieb hervor.

#### 3.2 Bestimmungsgemäße Verwendung

**WARNUNG!****Schwere Körperverletzung und/oder Sachschäden durch Verwendung der falschen Produktausführung**

Wird eine falsche Gasflaschenwaage hinsichtlich Messbereich, Ausführung und spezifischen Messbedingungen ausgewählt, kann es zu schweren Körperverletzungen und/oder Sachschäden kommen.

- ▶ Vor Montage, Inbetriebnahme und Betrieb sicherstellen, dass die richtige Gasflaschenwaage ausgewählt wurde.

Die Gasflaschenwaage dient zum Messen von Masse.

Das Gerät ist ausschließlich für den hier beschriebenen bestimmungsgemäßen Verwendungszweck konzipiert und konstruiert und darf nur dementsprechend verwendet werden.

Die technischen Spezifikationen in dieser Betriebsanleitung sind einzuhalten. Eine unsachgemäße Handhabung oder ein Betreiben des Gerätes außerhalb der technischen Spezifikationen macht die sofortige Stilllegung und Überprüfung durch einen autorisierten WIKA-Servicemitarbeiter erforderlich.

Ansprüche jeglicher Art aufgrund von nicht bestimmungsgemäßer Verwendung sind ausgeschlossen.

### 3.3 Fehlgebrauch

**WARNUNG!****Verletzungen durch Fehlgebrauch**

Fehlgebrauch des Gerätes kann zu gefährlichen Situationen und Verletzungen führen.

- ▶ Eigenmächtige Umbauten am Gerät unterlassen.

Jede über die bestimmungsgemäße Verwendung hinausgehende oder andersartige Benutzung gilt als Fehlgebrauch.

### 3.4 Personalqualifikation

**WARNUNG!****Verletzungsgefahr bei unzureichender Qualifikation!**

Unsachgemäßer Umgang kann zu erheblichen Personen- und Sachschäden führen.

- ▶ Die in dieser Betriebsanleitung beschriebenen Tätigkeiten nur durch Fachpersonal nachfolgend beschriebener Qualifikation durchführen lassen.
- ▶ Unqualifiziertes Personal von den Gefahrenbereichen fernhalten.

#### **Fachpersonal**

Das Fachpersonal ist aufgrund seiner fachlichen Ausbildung, seiner Kenntnisse der Mess- und Regelungstechnik und seiner Erfahrungen sowie Kenntnis der landesspezifischen Vorschriften, geltenden Normen und Richtlinien in der Lage, die beschriebenen Arbeiten auszuführen und mögliche Gefahren selbstständig zu erkennen.

#### **Besondere Kenntnisse bei Arbeiten mit Geräten für explosionsgefährdete Bereiche:**

Das Fachpersonal muss Kenntnisse haben über Zündschutzarten, Vorschriften und Verordnungen für Betriebsmittel in explosionsgefährdeten Bereichen.

Spezielle Einsatzbedingungen verlangen weiteres entsprechendes Wissen, z. B. über aggressive Medien.

### 3.5 Zusätzliche Sicherheitshinweise für Gasflaschenwaage nach ATEX



#### **WARNUNG!**

#### **Lebensgefahr durch Verlust des Explosionsschutzes**

Die Nichtbeachtung dieser Inhalte und Anweisungen kann zum Verlust des Explosionsschutzes führen.

- ▶ Beim Betrieb im Ex-Bereich die geringeren Spannungspegel gemäß Kapitel 10.2 „Sicherheitstechnische Höchstwerte“ beachten.
- ▶ Folgende Hinweise beachten:

- Eingriffe und Änderungen an der Gasflaschenwaage, welche nicht in dieser Betriebsanleitung beschrieben werden, sind unzulässig.
- Können Störungen mit Hilfe der aufgeführten Maßnahmen nicht beseitigt werden, ist die Gasflaschenwaage unverzüglich außer Betrieb zu setzen und gegen versehentliche Inbetriebnahme zu schützen.
- Die Gasflaschenwaage immer innerhalb des Überlastgrenzbereiches betreiben.
- Die Betriebsparameter gemäß Kapitel 10 „Technische Daten“ beachten.
- Den Kabelschirm einseitig und bevorzugt im sicheren Nicht-Ex-Bereich (EN 60079-14) erden. Bei Geräten mit Kabelausgang ist der Schirm mit dem Gehäuse verbunden. Ein zusätzlicher Anschluss des Schirms ist nur dann zulässig, wenn eine Potentialverschleppung zwischen Schirmanschluss (z. B. am Speisegerät) und Gehäuse ausgeschlossen werden kann (siehe EN 60079-14).
- Die Gasflaschenwaage mit Kennzeichnung „Ex nA IIC T4/T5“ an einen Versorgungs- und Signalstromkreis mit Schutz vor Transienten gemäß EN 60079-15 Abschnitt 23 C anschließen.
- Die Gasflaschenwaage mit Kennzeichnung Ex nA, oder wenn diese unter nA-Bedingungen betrieben wird, nicht unter Spannung trennen.
- Feindrahtige Leiterenden mit Aderendhülsen versehen (Kabelkonfektionierung).
- Für einen Potentialausgleich zwischen der Erde an der Spannungsversorgung und der Gasflasche bzw. der Installation sorgen, falls diese leitend verbunden ist.



## 3.6 Besondere Gefahren



### WARNUNG!

Die Angaben der geltenden Baumusterprüfbescheinigung sowie die jeweiligen landesspezifischen Vorschriften zur Installation und Einsatz in explosionsgefährdeten Bereichen (z. B. IEC 60079-14, NEC, CEC) einhalten. Bei Nichtbeachten können schwere Körperverletzungen und/oder Sachschäden auftreten.

Weitere wichtige Sicherheitshinweise für Geräte nach ATEX → siehe Kapitel 3.5 „Zusätzliche Sicherheitshinweise für Gasflaschenwaage nach ATEX“



### WARNUNG!

#### Körperverletzungen, Sach- und Umweltschäden durch gefährliche Messstoffe

Bei unsachgemäßer Handhabung mit gefährlichen Messstoffen, wie z. B. Sauerstoff, Acetylen, brennbaren oder giftigen Stoffen, sowie bei Kälteanlagen, Kompressoren etc., können gefährliche oder gesundheitsgefährdende Messstoffe in die Umwelt entweichen und Schäden oder Verletzungen verursachen.

- ▶ Allgemeine Regeln sowie einschlägige Vorschriften beachten.



### WARNUNG!

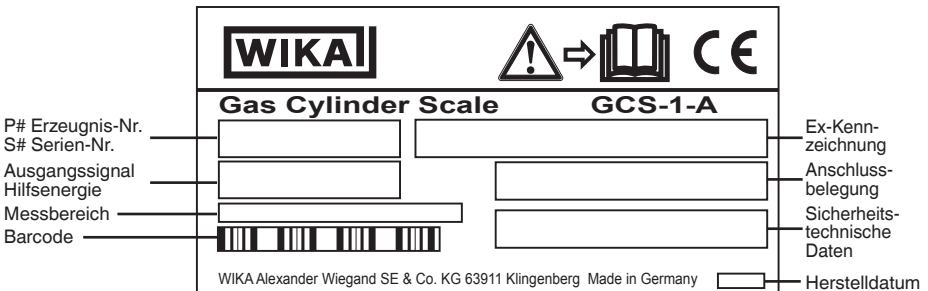
#### Körperverletzungen, Sach- und Umweltschäden durch Messstoffreste

Messstoffreste in ausgebauten Gasflaschenwaagen können zur Gefährdung von Personen, Umwelt und Einrichtung führen.

- ▶ Ausreichende Vorsichtsmaßnahmen ergreifen.

## 3.7 Beschilderung/Sicherheitskennzeichnungen

### Typenschild



### Symbolerklärung



Vor Montage und Inbetriebnahme des Gerätes unbedingt die Betriebsanleitung lesen!

### 3.8 Ex-Kennzeichnung



#### **GEFAHR!**

#### **Lebensgefahr durch Verlust des Explosionsschutzes**

Die Nichtbeachtung dieser Inhalte und Anweisungen kann zum Verlust des Explosionsschutzes führen.

- ▶ Sicherheitshinweise in diesem Kapitel sowie weitere Explosionshinweise in dieser Betriebsanleitung beachten.
- ▶ Die Angaben der geltenden Baumusterprüfbescheinigung sowie die jeweiligen landesspezifischen Vorschriften zur Installation und Einsatz in explosionsgefährdeten Bereichen (z. B. IEC 60079-14, NEC, CEC) einhalten.

Überprüfen, ob die Klassifizierung für den Einsatzfall geeignet ist. Die jeweiligen nationalen Vorschriften und Bestimmungen beachten.

### 3.9 Besondere Bedingungen für die Verwendung (X-Conditions)

- Eine zusätzliche Kabelklemme wird vom Hersteller zur Verfügung gestellt. Diese Klemme darf nicht entfernt werden.
- Die Kappe, die die zwei Potentiometer zur Einstellung von Nullpunkt und Spanne schützt, darf nicht entfernt werden, wenn eine explosionsgefährdete Atmosphäre vorhanden ist.

## 4. Transport, Verpackung und Lagerung

### 4.1 Transport

Die Gasflaschenwaage auf eventuell vorhandene Transportschäden untersuchen. Offensichtliche Schäden unverzüglich mitteilen.



#### **VORSICHT!**

#### **Beschädigungen durch unsachgemäßen Transport**

Bei unsachgemäßem Transport können Sachschäden in erheblicher Höhe entstehen.

- ▶ Beim Abladen der Packstücke bei Anlieferung sowie innerbetrieblichem Transport vorsichtig vorgehen und die Symbole auf der Verpackung beachten.

### 4.2 Verpackung und Lagerung

Verpackung erst unmittelbar vor der Montage entfernen.

Die Verpackung aufbewahren, denn diese bietet bei einem Transport einen optimalen Schutz (z. B. wechselnder Einbauort, Reparatursendung).

#### **Zulässige Bedingungen am Lagerort:**

Lagertemperatur: -20 ... +60 °C [-4 ... +140 °F]

### Folgende Einflüsse vermeiden:

- Direktes Sonnenlicht oder Nähe zu heißen Gegenständen
- Mechanische Vibration, mechanischer Schock (hartes Aufstellen)
- Ruß, Dampf, Staub und korrosive Gase
- Explosionsgefährdete Umgebung, entzündliche Atmosphären (bei Ausführung ohne Explosionsschutz)

Die Gasflaschenwaage in der Originalverpackung an einem Ort lagern, der die oben gelisteten Bedingungen erfüllt. Wenn die Originalverpackung nicht vorhanden ist, dann das Gerät wie folgt verpacken und lagern:

1. Das Gerät in eine antistatische Plastikfolie einhüllen.
2. Das Gerät mit dem Dämmmaterial in der Verpackung platzieren.
3. Bei längerer Einlagerung (mehr als 30 Tage) einen Beutel mit Trocknungsmittel der Verpackung beilegen.

## 5. Inbetriebnahme



### GEFAHR!

#### Lebensgefahr durch Explosion!

Durch Arbeiten in entzündlichen Atmosphären besteht Explosionsgefahr, die zum Tod führen kann.

- ▶ Rüstarbeiten nur in nicht-explosionsgefährdeter Umgebung durchführen!

### Elektrische Montage



### GEFAHR!

#### Lebensgefahr durch Verlust des Explosionsschutzes

Nichtbeachten dieser Inhalte und Anweisungen sowie ein unsachgemäßer Potentialausgleich können zum Verlust des Explosionsschutzes führen.

- ▶ Folgende Hinweise für einen sicheren Potentialausgleich beachten:

- Eine Anschlussmöglichkeit für den Potentialausgleich ist in der Nähe der Kabeleinführung vorgesehen: Schraube M6 (6 mm)
- Die Kabelklemme darf nicht entfernt werden (→ siehe Kapitel 3.9 „Besondere Bedingungen für die Verwendung (X-Conditions)“)
- Einen Leiter mit einem Querschnitt von mindestens 4 mm<sup>2</sup> verwenden.
- Der Anschluss muss korrosionsbeständig und verdrehsicher sein.
- Den Schirm der Zuleitung nur an einem Ende erden.
- Der Schirm der Zuleitung ist intern mit dem Gehäuse verbunden.

## 5. Inbetriebnahme, Betrieb



Wird der Potentialausgleich über den Schirm der Zuleitung sowie über ein separates 4-mm<sup>2</sup>-Kabel am Gehäuse hergestellt, muss auf Potentialunterschiede geachtet werden. Ausgleichsströme (Masseschleifen) sind zu vermeiden.

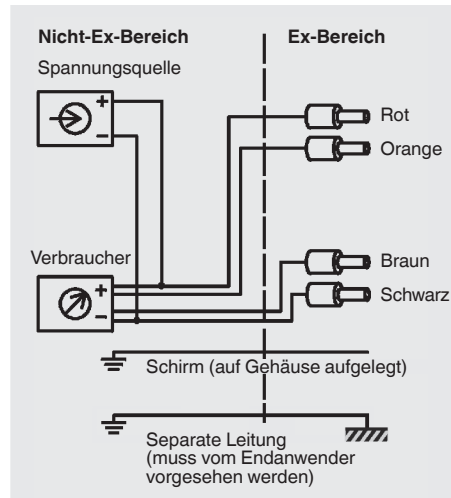
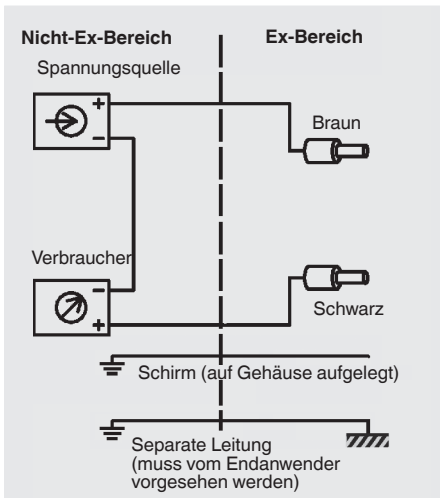
### Anschlussbelegung (2-Leiter)

<b>U+/S+</b>	Braun (BN)
<b>U-/S-</b>	Schwarz (BK)

### Anschlussbelegung (4-Leiter)

<b>U+</b>	Rot (RD)
<b>S+</b>	Orange (OG)
<b>U-</b>	Schwarz (BK)
<b>S-</b>	Braun (BN)

DE



Der Schirm ist am Gehäuse aufgelegt.  
Sicherstellen, dass am Ende des Kabels keine Feuchtigkeit eintreten kann.

### Funktionsprüfung

Das Ausgangssignal muss sich der Masse proportional verhalten. Ist dies nicht der Fall, kann das ein Hinweis auf eine Beschädigung der Messzelle sein. In diesem Fall siehe Kapitel 7 „Störungen“.



Beim Wiegen einer Gasflasche darauf achten, dass die Gasflaschenwaage auf einem festen und ebenen Untergrund steht und mit keinen anderen Gegenständen in Berührung kommt.

### 6. Einstellung Nullpunkt/Spanne



#### **GEFAHR!**

#### **Lebensgefahr durch Explosion!**

Durch das Einstellen des Nullpunktes oder der Spanne in entzündlichen Atmosphären besteht Explosionsgefahr, die zum Tod führen kann.

- ▶ Nullpunkteinstellungen und Spanneneinstellungen nur außerhalb des explosionsgefährdeten Bereiches durchführen.
- ▶ Sicherstellen, dass die umgebende Atmosphäre nicht gefährlich (nicht explosionsgefährdet) ist.

DE

#### **Vorbereitung**

1. Schutzverschraubung mit einem Schraubendreher herausschrauben (siehe Abbildung A).
  - ▶ Zugang zu den Potentiometern ist geöffnet.
2. Eine Massereferenz einsetzen, die mindestens 3-mal genauer als die angegebene Genauigkeit ist.

#### **Nullpunkt einstellen**

1. Die Gasflaschenwaage entlasten.
2. Durch Justage des Signals auf 4 mA lässt sich der Nullpunkt (zero) einstellen (siehe Abbildung B).

#### **Spanne einstellen**

1. Die Spanne (span) einstellen, indem die Waage mit der entsprechenden Massereferenz belastet und das Signal auf 20 mA justiert wird.
2. Den Nullpunkt überprüfen.
3. Wenn der Nullpunkt nicht stimmt ggf. Prozedur wiederholen.
4. Den Schraubverschluss mit Dichtung wieder eindrehen um den Potentiometerzugang zu verschließen.

## 6. Einstellung Nullpunkt/Spanne / 7. Störungen



### GEFAHR!

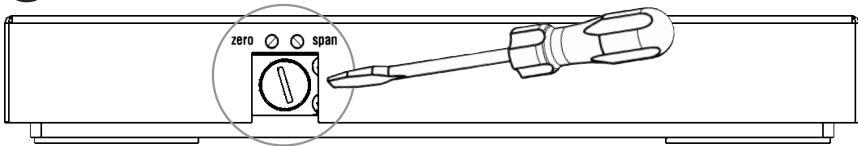
#### Lebensgefahr durch Explosion!

Durch das Einstellen des Nullpunktes oder der Spanne in entzündlichen Atmosphären besteht Explosionsgefahr, die zum Tod führen kann.

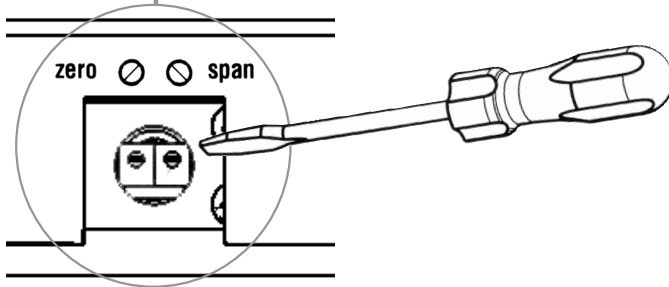
- ▶ Nullpunkteinstellungen und Spanneneinstellungen nur außerhalb des explosionsgefährdeten Bereiches durchführen.
- ▶ Sicherstellen, dass die umgebende Atmosphäre nicht gefährlich (nicht explosionsgefährdet) ist.

DE

A



B



Nach dem Justieren die korrekte Arbeitsweise des Systems überprüfen.  
Empfohlener Rekalibrierzyklus: 1 Jahr

## 7. Störungen

Störung	Ursachen	Maßnahme
Kein Ausgangssignal	Keine Hilfsenergie	Spannungsversorgung überprüfen
	Leitungsbruch	Durchgang überprüfen
	Leitungsverpolung	Polung korrigieren
	Gasflaschenwaage defekt wegen falscher Hilfsenergie oder Stromstoß	Gasflaschenwaage austauschen

Störung	Ursachen	Maßnahme
<b>Gleichbleibendes Ausgangssignal bei Gewichtsänderung</b>	Wägeplattform blockiert	Freistehen der Waage prüfen
	Mechanische Überbelastung	Gasflaschenwaage austauschen
	Gasflaschenwaage defekt wegen falscher Hilfsenergie oder Stromstoß	Gasflaschenwaage austauschen
<b>Signal zu niedrig</b>	Hilfsenergie zu niedrig	Hilfsenergie überprüfen
	Bürde zu hoch	Bürde bzw. Hilfsenergie korrigieren
	Mechanische Überbelastung	Gasflaschenwaage recalibrieren Gasflaschenwaage austauschen
<b>Nullpunktsignal zu niedrig oder zu hoch</b>	Mechanische Überbelastung	Gasflaschenwaage recalibrieren
		Gasflaschenwaage austauschen
<b>Signalkennlinie unlinear</b>	Mechanische Überbelastung	Gasflaschenwaage austauschen

Können Störungen mit Hilfe der aufgeführten Maßnahmen nicht beseitigt werden, ist die Gasflaschenwaage unverzüglich außer Betrieb zu setzen und gegen versehentliche Inbetriebnahme zu schützen. In diesem Falle Kontakt mit dem Hersteller aufnehmen.



Bei notwendiger Rücksendung die Hinweise unter Kapitel 9.1 „Rücksendung“ beachten.

## 8. Wartung und Reinigung

### 8.1 Wartung

Die Gasflaschenwaage ist wartungsfrei.  
Reparaturen sind ausschließlich vom Hersteller durchzuführen.

### 8.2 Reinigung



#### **VORSICHT!**

#### **Beschädigung der Gasflaschenwaage**

Eine unsachgemäße Reinigung kann zu einer Beschädigung der Gasflaschenwaage führen.

- ▶ Elektrische Anschlüsse nicht mit Feuchtigkeit in Berührung bringen.
- ▶ Keine aggressiven Reinigungsmittel verwenden.
- ▶ Keine harten und spitzen Gegenstände zur Reinigung verwenden.

### 9. Rücksendung und Entsorgung



#### **WARNUNG!**

#### **Körperverletzungen, Sach- und Umweltschäden durch Messstoffreste**

Messstoffreste in ausgebauten Gasflaschenwaagen können zur Gefährdung von Personen, Umwelt und Einrichtung führen.

- ▶ Ausreichende Vorsichtsmaßnahmen ergreifen.

DE

#### 9.1 Rücksendung

##### **Beim Versand des Gerätes unbedingt beachten:**

Alle an WIKA gelieferten Geräte müssen frei von Gefahrstoffen (Säuren, Laugen, Lösungen, etc.) sein und sind daher vor der Rücksendung zu reinigen.

Zur Rücksendung des Gerätes die Originalverpackung oder eine geeignete Transportverpackung verwenden.

##### **Um Schäden zu vermeiden:**

1. Das Gerät in eine antistatische Plastikfolie einhüllen.
2. Das Gerät mit dem Dämmmaterial in der Verpackung platzieren. Zu allen Seiten der Transportverpackung gleichmäßig dämmen.
3. Wenn möglich einen Beutel mit Trocknungsmittel der Verpackung beifügen.
4. Sendung als Transport eines hochempfindlichen Messgerätes kennzeichnen.

Dem Gerät das Rücksendeformular ausgefüllt beifügen.



Hinweise zur Rücksendung befinden sich in der Rubrik „Service“ unter [www.wika.de](http://www.wika.de)

#### 9.2 Entsorgung

Durch falsche Entsorgung können Gefahren für die Umwelt entstehen.

Gerätekomponenten und Verpackungsmaterialien entsprechend den landesspezifischen Abfallbehandlungs- und Entsorgungsvorschriften umweltgerecht entsorgen.



Nicht mit dem Hausmüll entsorgen. Für eine geordnete Entsorgung gemäß nationaler Vorgaben sorgen.



## 10. Technische Daten

DE

Technische Daten		
<b>Messbereich</b>	Siehe Typenschild	
<b>Überlastgrenze</b>		
Messbereich 0 ... 27,22 kg [0 ... 60 lbs]	4-fach	
Messbereich 0 ... 45,36 kg [0 ... 100 lbs]	3-fach	
Messbereich 0 ... 136,08 kg [0 ... 300 lbs]	2,5-fach	
<b>Nichtlinearität nach BFSL nach IEC 61298-2</b>	≤ 0,05 % der Spanne	
<b>Max. Messabweichung des Analogsignals nach IEC 61298-2</b>	≤ 0,1 % der Spanne	
<b>Einstellbarkeit Nullpunkt und Spanne</b>	±5 % mittels eingebauten Potentiometers	
<b>Langzeitstabilität (pro Monat)</b>	≤ 0,04 % der Spanne (bei Referenzbedingung)	
<b>Mittlere Temperaturkoeffizienten im Nenntemperaturbereich</b>		
Nullpunkt	≤ ±0,1 % d. Spanne/10 K	
Spanne	≤ ±0,1 % d. Spanne/10 K	
<b>Referenzbedingungen</b>	Nach IEC 61298-1	
<b>Ausgangssignal</b>	Siehe Typenschild	
<b>Bürde</b>	Typ GCS-1-A	≤ (Hilfsenergie - 10 V)/0,02 A
	Typ GCS-1-G	> 5 kΩ
	Typ GCS-1-F	> 10 kΩ
<b>Hilfsenergie</b>	DC 14 ... 30 V	
<b>Max. Ausgangsstrom</b>	≤ 35 mA	
<b>Elektrischer Anschluss</b>	Kabelausgang	
<b>Kabellänge</b>	6 m [20 ft]	
<b>Kurzschlussfestigkeit</b>	S <sub>+</sub> gegen U <sub>-</sub>	
<b>Verpolungsschutz</b>	U <sub>+</sub> gegen U <sub>-</sub>	
<b>Isolationsspannung</b>	DC 500 V	
<b>Freier Fall</b>	Widersteht Aufprall von 90 kg aus 10 cm Höhe	
<b>Schutzart (IP-Code) nach IEC 60529, Industriequalität</b>	IP65	
<b>Ex-Kennzeichnung (Option)</b>	Siehe Typenschild	

# 10. Technische Daten

## Technische Daten

<b>Betriebstemperaturbereich</b>	-20 ... +50 °C [-4 ... +122 °F]
<b>Umgebungstemperaturbereich</b>	■ -20 ... +50 °C [-4 ... +122 °F] (T4) ■ -20 ... +40 °C [-4 ... +104 °F] (T5)
<b>Lagertemperaturbereich</b>	-20 ... +60 °C [-4 ... +140 °F]
<b>Werkstoffe</b>	
Sensor	Aluminium
Gehäuse	CrNi-Stahl
Bodenplatte	CrNi-Stahl

DE

## 10.1 Zulassungen, Richtlinien und Zertifikate

### CE-Konformität

- EMV-Richtlinie EN 61326 Emission (Gruppe 1, Klasse B) und Störfestigkeit (industrieller Bereich)
- ATEX-Richtlinie Zündschutzart „n“

Spezifikation	Zündschutzart
ATEX	II 3G Ex nA IIC T4/T5 Gc X
IECEX	BVS 16.0001X Ex nA IIC T4/T5 Gc

## 10.2 Sicherheitstechnische Höchstwerte

Typ	Hilfsenergie U <sub>+</sub>	Leistung P <sub>max</sub>	Zündschutzart
GCS-1-A (4 ... 20 mA)	DC 14 ... 24 V	1 W	Ex nA IIC T4/T5 Gc X
			IECEX BVS 16.0001X Ex nA IIC T4/T5 Gc
GCS-1-G (DC 0 ... 5 V)	DC 14 ... 24 V	1 W	Ex nA IIC T4/T5 Gc X
			IECEX BVS 16.0001X Ex nA IIC T4/T5 Gc
GCS-1-F (DC 0 ... 10 V)	DC 14 ... 24 V	1 W	Ex nA IIC T4/T5 Gc X
			IECEX BVS 16.0001X Ex nA IIC T4/T5 Gc

11145676.09 03/2022 EN/DE/FR/IT

# Sommaire

<b>1. Généralités</b>	<b>36</b>
<b>2. Conception et fonction</b>	<b>37</b>
2.1 Vue générale . . . . .	37
2.2 Description . . . . .	37
2.3 Détail de la livraison . . . . .	37
<b>3. Sécurité</b>	<b>38</b>
3.1 Explication des symboles . . . . .	38
3.2 Utilisation conforme à l'usage prévu . . . . .	38
3.3 Utilisation inappropriée . . . . .	39
3.4 Qualification du personnel . . . . .	39
3.5 Instructions de sécurité pour balance pour bouteilles de gaz selon ATEX . . . . .	39
3.6 Dangers particuliers . . . . .	40
3.7 Etiquetage/Marquages de sécurité . . . . .	41
3.8 Marquage Ex . . . . .	42
3.9 Conditions spécifiques d'utilisation (conditions X) . . . . .	42
<b>4. Transport, emballage et stockage</b>	<b>42</b>
4.1 Transport. . . . .	42
4.2 Emballage et stockage . . . . .	42
<b>5. Mise en service</b>	<b>43</b>
<b>6. Réglage du point zéro/de l'échelle</b>	<b>45</b>
<b>7. Dysfonctionnements</b>	<b>46</b>
<b>8. Entretien et nettoyage</b>	<b>47</b>
8.1 Entretien . . . . .	47
8.2 Nettoyage . . . . .	47
<b>9. Retour et mise au rebut</b>	<b>48</b>
9.1 Retour. . . . .	48
9.2 Mise au rebut . . . . .	48
<b>10. Spécifications</b>	<b>49</b>
10.1 Agréments, directives et certificats . . . . .	50
10.2 Valeurs techniques de sécurité maximales . . . . .	50
<b>Annexe 1 : Déclaration de conformité UE</b>	<b>67</b>

## 1. Généralités

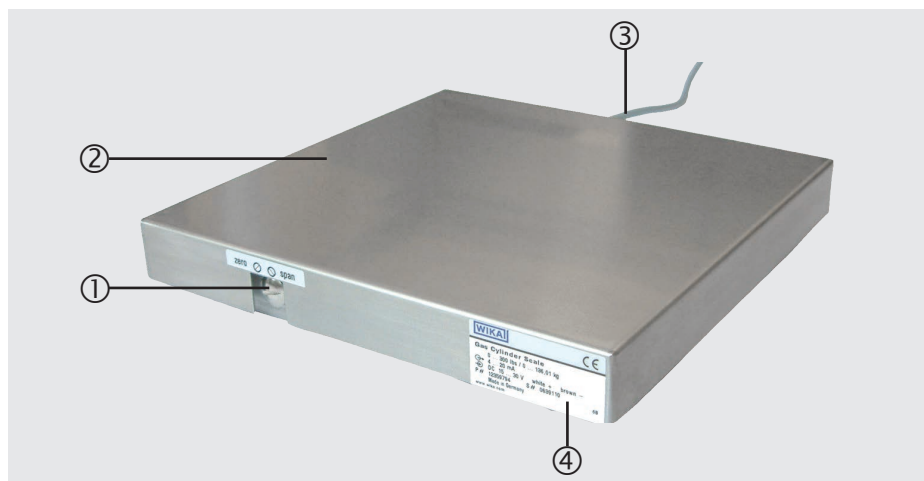
- La balance pour bouteilles de gaz décrite dans le mode d'emploi est conçue et fabriquée selon les dernières technologies en vigueur. Tous les composants sont soumis à des critères de qualité et d'environnement stricts durant la fabrication. Nos systèmes de gestion sont certifiés selon ISO 9001 et ISO 14001.
- Ce mode d'emploi donne des indications importantes concernant l'utilisation de l'instrument. Il est possible de travailler en toute sécurité avec ce produit en respectant toutes les consignes de sécurité et d'utilisation.
- Respecter les prescriptions locales de prévention contre les accidents et les prescriptions générales de sécurité en vigueur pour le domaine d'application de l'instrument.
- Le mode d'emploi fait partie de l'instrument et doit être conservé à proximité immédiate de l'instrument et accessible à tout moment pour le personnel qualifié. Confier le mode d'emploi à l'utilisateur ou propriétaire ultérieur de l'instrument.
- Le personnel qualifié doit, avant de commencer toute opération, avoir lu soigneusement et compris le mode d'emploi.
- La responsabilité du fabricant n'est pas engagée en cas de dommages provoqués par une utilisation non conforme à l'usage prévu, de non respect de ce mode d'emploi, d'utilisation de personnel peu qualifié de même qu'en cas de modifications de l'instrument effectuées par l'utilisateur.
- Les conditions générales de vente mentionnées dans les documents de vente s'appliquent.
- Sous réserve de modifications techniques.
- Pour obtenir d'autres informations :
  - Site Internet : [www.wika.fr](http://www.wika.fr)
  - Fiche technique correspondante : PE 87.19
  - Conseiller applications : Tél. : 0 820 95 10 10 (0,15 €/min)  
E-Mail : [info@wika.fr](mailto:info@wika.fr)

### Abréviations

2 fils	Deux lignes de raccordement servent à l'alimentation en tension. Le signal de mesure fournit également le courant d'alimentation.
U <sub>+</sub>	Borne d'alimentation positive
U <sub>-</sub>	Borne d'alimentation négative
S <sub>+</sub>	Borne de sortie positive
S <sub>-</sub>	Borne de sortie négative

### 2. Conception et fonction

#### 2.1 Vue générale



FR

- ① Potentiomètre
- ② Surface de pesage
- ③ Raccordement électrique
- ④ Plaque signalétique

#### 2.2 Description

Avec la balance pour bouteilles de gaz, la masse de la bouteille de gaz et de son contenu est mesurée et convertie en un signal électrique. Ce signal électrique varie en fonction de la masse et peut être évalué.

#### 2.3 Détail de la livraison

- Balance pour bouteilles de gaz avec sortie de câble de 6 m
- Relevé de contrôle
- Vis, M6

Comparer le détail de la livraison avec le bordereau de livraison.

### 3. Sécurité

#### 3.1 Explication des symboles



##### **AVERTISSEMENT !**

... indique une situation présentant des risques susceptibles de provoquer la mort ou des blessures graves si elle n'est pas évitée.



##### **AVERTISSEMENT !**

... indique une situation en zone explosive présentant des risques susceptibles de provoquer la mort ou des blessures graves si elle n'est pas évitée.



##### **ATTENTION !**

... indique une situation potentiellement dangereuse et susceptible de provoquer de légères blessures ou des dommages matériels et pour l'environnement si elle n'est pas évitée.



##### **Information**

... met en exergue des conseils et recommandations utiles de même que des informations permettant d'assurer un fonctionnement efficace et normal.

#### 3.2 Utilisation conforme à l'usage prévu



##### **AVERTISSEMENT !**

##### **Blessures physiques graves et/ou dommages matériels causés par l'emploi d'une version de produit incorrecte**

Si la balance pour bouteilles de gaz choisie est incorrecte par rapport à l'étendue de mesure, à la version et aux conditions de mesure spécifiques, de graves blessures physiques et/ou des dommages matériels peuvent en résulter.

- ▶ Avant le montage, la mise en service et le fonctionnement, s'assurer que la balance pour bouteilles de gaz adéquate a été choisie.

La balance pour bouteilles de gaz est utilisée pour mesurer la masse.

L'instrument est conçu et construit exclusivement pour une utilisation conforme à l'usage prévu décrit ici et ne doit être utilisé qu'en conséquence.

Les spécifications techniques mentionnées dans ce mode d'emploi doivent être respectées. En cas d'utilisation non conforme ou de fonctionnement de l'instrument en dehors des spécifications techniques, un arrêt et contrôle doivent être immédiatement effectués par un collaborateur autorisé du service de WIKA.

Aucune réclamation ne peut être recevable en cas d'utilisation non conforme à l'usage prévu.

### 3.3 Utilisation inappropriée



#### **AVERTISSEMENT !**

#### **Blessures à cause d'une utilisation inappropriée**

Une utilisation inappropriée peut conduire à des situations dangereuses et à des blessures.

- ▶ S'abstenir de modifications non autorisées sur l'instrument.

Toute utilisation différente ou au-delà de l'utilisation prévue est considérée comme inappropriée.

### 3.4 Qualification du personnel



#### **AVERTISSEMENT !**

#### **Danger de blessure en cas de qualification insuffisante !**

Une utilisation non conforme peut entraîner d'importants dommages corporels et matériels.

- ▶ Les opérations décrites dans ce mode d'emploi ne doivent être effectuées que par un personnel ayant la qualification décrite ci-après.
- ▶ Tenir le personnel non qualifié à l'écart des zones explosives.

#### **Personnel qualifié**

Le personnel qualifié est, en raison de sa formation spécialisée, de ses connaissances dans le domaine de la technique de mesure et de régulation et de ses expériences de même que de sa connaissance des prescriptions nationales, des normes et directives en vigueur, en mesure d'effectuer les travaux décrits et de reconnaître de façon autonome les dangers potentiels.

#### **Connaissance spécifique pour l'utilisation des instruments en zone explosives :**

Le personnel qualifié doit avoir les connaissances requises des types de protection contre l'ignition, des réglementations et dispositions concernant les équipements en zones explosives.

Les conditions d'utilisation spéciales exigent également une connaissance adéquate, par ex. des liquides agressifs.

### 3.5 Instructions de sécurité pour balance pour bouteilles de gaz selon ATEX



#### **AVERTISSEMENT !**

#### **Danger vital dû à la perte de la protection contre les explosions**

Le non respect de ces instructions et de leurs contenus peut entraîner une perte de la protection contre les explosions.

- ▶ Pour un fonctionnement en zone explosive, respecter les niveaux de tension inférieurs indiqués au chapitre 10.2 "Valeurs techniques de sécurité maximales".
- ▶ Respecter les instructions suivantes :

- Des interventions ou altérations à la balance pour bouteilles de gaz, qui ne sont pas décrites dans ce mode d'emploi, ne sont pas autorisées.
  - Si les erreurs ne peuvent pas être éliminées, la balance pour bouteilles de gaz doit être retirée immédiatement, et il faut empêcher toute remise en service accidentelle.
  - Toujours utiliser la balance pour bouteilles de gaz uniquement dans les limites des ses capacités de charge.
- FR**
- Respecter les paramètres de fonctionnement conformément au chapitre 10 “Spécifications”.
  - Mettre le câble blindé à la terre à une extrémité, préférablement dans la zone sûre, non-Ex (EN 60079-14). Pour les instruments avec sortie câble, la gaine est connectée au boîtier. Un raccordement supplémentaire du blindage n'est autorisé que s'il est possible d'éviter des pertes de potentiel entre le branchement du blindage (par exemple sur l'unité d'alimentation) et le boîtier (voir EN 60079-14).
  - Brancher la balance pour bouteilles de gaz avec le marquage “Ex nA IIC T4/T5” à un circuit d'énergie et de signal avec une protection transitoire en accord avec EN 60079-15, Chapitre 23 C.
  - Ne débrancher la balance pour bouteilles de gaz avec le marquage Ex nA, ou lorsqu'elle est actionnée dans des conditions nA, que lorsque l'alimentation a été coupée.
  - Les liaisons souples dont l'extrémité est dénudée doivent être terminées par des embouts (confection de câbles)
  - Effectuer une liaison équipotentielle entre la terre à l'alimentation de tension et la bouteille de gaz et/ou l'installation, dans le cas où elles seraient raccordées de manière conductrice.

### 3.6 Dangers particuliers



#### **AVERTISSEMENT !**

Respecter les indications de l'attestation d'examen de type valable de même que les prescriptions nationales respectives concernant le montage et l'utilisation en zone explosive (par exemple CEI 60079-14, NEC, CEC). Un non-respect de cette consigne peut entraîner des blessures corporelles graves et/ou des dégâts matériels.

Pour des instructions de sécurité supplémentaires importantes pour des instruments selon ATEX,

→ Voir chapitre 3.5 “Instructions de sécurité pour balance pour bouteilles de gaz selon ATEX”





**AVERTISSEMENT !**

**Blessures physiques et dommages aux équipements et à l'environnement causés par un fluide dangereux**

Toute manipulation impropre avec des fluides dangereux, comme par exemple l'oxygène, l'acétylène, les substances inflammables ou toxiques, ainsi que dans les systèmes de réfrigération, les compresseurs etc., peut provoquer la fuite de fluides dangereux ou nocifs dans l'environnement, ce qui peut causer des dommages matériels ou des blessures.

- Respecter les règles générales et les réglementations en vigueur.



**AVERTISSEMENT !**

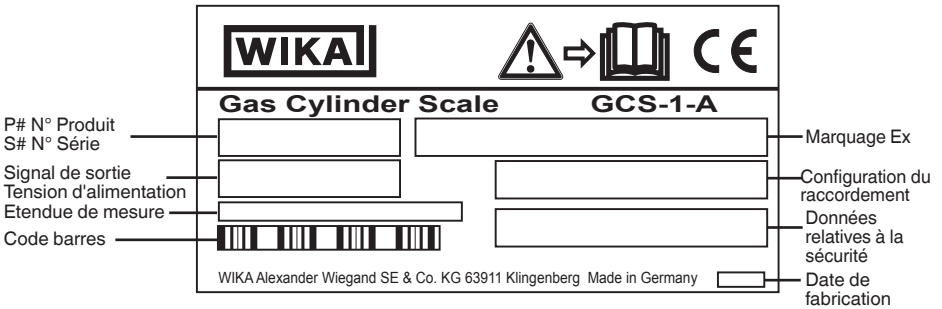
**Blessures physiques et dommages aux équipements et à l'environnement liés aux résidus de fluides**

Les restes de fluides se trouvant dans la balance pour bouteilles de gaz démontée peuvent mettre en danger les personnes, l'environnement ainsi que l'installation.

- Prendre des mesures de sécurité suffisantes.

### 3.7 Etiquetage/Marquages de sécurité

#### Plaque signalétique



#### Explication des symboles



Lire impérativement le mode d'emploi avant le montage et la mise en service de l'instrument !

### 3.8 Marquage Ex



#### **DANGER !**

#### **Danger vital dû à la perte de la protection contre les explosions**

Le non respect de ces instructions et de leurs contenus peut entraîner une perte de la protection contre les explosions.

- ▶ Observer les instructions de sécurité de ce chapitre et les autres instructions liées aux explosions de ce mode d'emploi.
- ▶ Respecter les indications de l'attestation d'examen de type valable de même que les prescriptions nationales respectives concernant le montage et l'utilisation en zone explosive (par exemple CEI 60079-14, NEC, CEC).

Contrôler que la classification est adaptée à l'application. Observer les réglementations nationales concernées.

### 3.9 Conditions spécifiques d'utilisation (conditions X)

- Le couvercle qui protège les deux potentiomètres pour le réglage du point zéro et de l'échelle ne doit pas être retiré si l'on se trouve en atmosphère explosive.
- Un blocage supplémentaire du câble est fourni par le fabricant. Ce blocage ne doit pas être retiré.

## 4. Transport, emballage et stockage

### 4.1 Transport

Vérifier s'il existe des dégâts sur la balance pour bouteilles de gaz liés au transport. Communiquer immédiatement les dégâts constatés.



#### **ATTENTION !**

#### **Dommages liés à un transport inapproprié**

Un transport inapproprié peut donner lieu à des dommages importants.

- ▶ Lors du déchargement des colis à la livraison comme lors du transport des colis en interne après réception, il faut procéder avec soin et observer les consignes liées aux symboles figurant sur les emballages.

### 4.2 Emballage et stockage

N'enlever l'emballage qu'avant le montage.

Conserver l'emballage, celui-ci offre, lors d'un transport, une protection optimale (par ex. changement de lieu d'utilisation, renvoi pour réparation).

#### **Conditions admissibles sur le lieu de stockage :**

Température de stockage : -20 ... +60 °C [-4 ... +140 °F]

## 5. Mise en service, utilisation

FR

### Eviter les influences suivantes :

- Lumière solaire directe ou proximité d'objets chauds
- Vibrations mécaniques, chocs mécaniques (mouvements brusques en le posant)
- Suie, vapeur, poussière et gaz corrosifs
- Environnements dangereux, atmosphères inflammables (pour la version sans protection contre l'explosion)

Conserver la balance pour bouteilles de gaz dans son emballage d'origine dans un endroit qui satisfait aux conditions susmentionnées. Si l'emballage d'origine n'est pas disponible, emballer et stocker l'instrument comme suit :

1. Emballer l'instrument dans une feuille de plastique antistatique.
2. Placer l'instrument avec le matériau isolant dans l'emballage.
3. En cas d'entreposage pour une longue période (plus de 30 jours), mettre également un sachet absorbant d'humidité dans l'emballage.

## 5. Mise en service



### DANGER !

#### Danger d'explosion vital !

Le travail en atmosphère inflammable peut donner lieu à une explosion avec risque de mort.

- ▶ Réaliser les travaux d'installation uniquement dans un environnement non dangereux !

### Montage électrique



### DANGER !

#### Danger vital dû à la perte de la protection contre les explosions

Le non respect de ces instructions et de leurs contenus, ainsi qu'une liaison équipotentielle incorrecte peuvent entraîner une perte de la protection contre les explosions.

- ▶ Respecter les instructions suivantes pour une liaison équipotentielle sûre :



- Un raccordement de liaison équipotentielle doit être installé près de l'entrée de câble : vis M6 (6 mm)
- Le blocage de câble ne doit pas être retiré (→ voir chapitre 3.9 "Conditions spécifiques d'utilisation (conditions X)")
- Utiliser un conducteur avec une section transversale d'au moins 4 mm<sup>2</sup>.
- La connexion doit être résistante à la corrosion et immobilisée contre toute rotation.
- Ne mettre à la terre le blindage de la ligne d'alimentation que d'un seul côté.
- Le blindage de la ligne d'alimentation est raccordée au boîtier en interne.

## 5. Mise en service, utilisation



Si la liaison équipotentielle est effectuée par le blindage de la ligne d'alimentation et via un câble séparé de 4 mm<sup>2</sup> sur le boîtier, il faut faire attention aux différences de potentiel. Les courants de compensation (boucles de terre) doivent être évités.

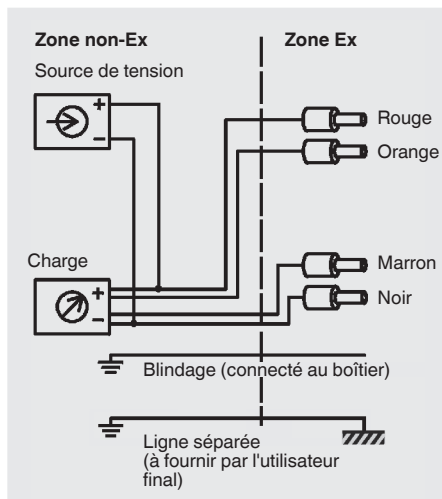
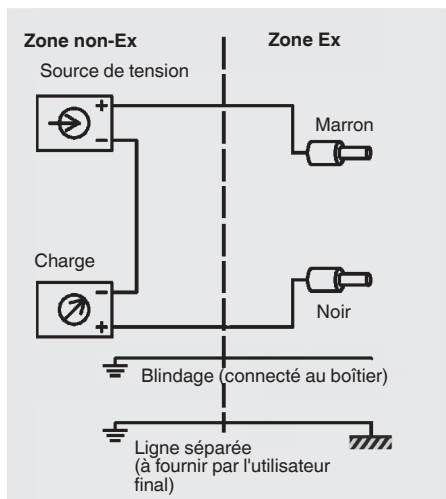
### Configuration du raccordement (2 fils)

U+/S+	Brun (BN)
U-/S-	Noir (BK)

### Configuration du raccordement (4 fils)

U+	Rouge (RD)
S+	Orange (OG)
U-	Noir (BK)
S-	Brun (BN)

FR



La gaine est connectée au boîtier.  
S'assurer qu'aucune humidité ne peut pénétrer à l'extrémité du câble.

### Contrôle de fonctionnement

Le signal de sortie doit être proportionnel à la masse. Si cela n'est pas le cas, cela pourrait indiquer un endommagement de la cellule de mesure. Dans ce cas, voir le chapitre 7 "Dysfonctionnements".



Lors du pesage d'une bouteille de gaz, s'assurer que la balance pour bouteilles de gaz est posée sur une base solide et plane et qu'elle ne peut pas toucher d'autre objet.

### 6. Réglage du point zéro/de l'échelle



#### **DANGER !**

#### **Danger d'explosion vital !**

Le fait de régler le point zéro ou l'échelle dans des atmosphères inflammables crée un risque d'explosion potentiellement mortel.

- ▶ Effectuer les réglages de point zéro et d'échelle uniquement en-dehors de la zone explosive.
- ▶ Vérifier que l'atmosphère n'est pas dangereuse (non explosive).

#### **Préparation**

1. Dévisser le raccord vissé de protection avec un tournevis (voir la figure A).
  - ▶ L'accès aux potentiomètres est ouvert.
2. Introduire une masse de référence qui soit au moins 3 fois aussi précise que la précision donnée.

#### **Réglage du point zéro**

1. Enlever la charge de la balance pour bouteilles de gaz.
2. En réglant le signal sur 4 mA, on peut fixer le point zéro (voir figure B).

#### **Réglage de l'échelle**

1. Fixer l'étendue en chargeant la balance avec la masse de référence appropriée et en réglant le signal sur 20 mA.
2. Contrôler le point zéro.
3. Si le point zéro n'est pas correct, répéter le processus.
4. Revisser le couvercle d'étanchéité pour fermer l'entrée de potentiomètre.

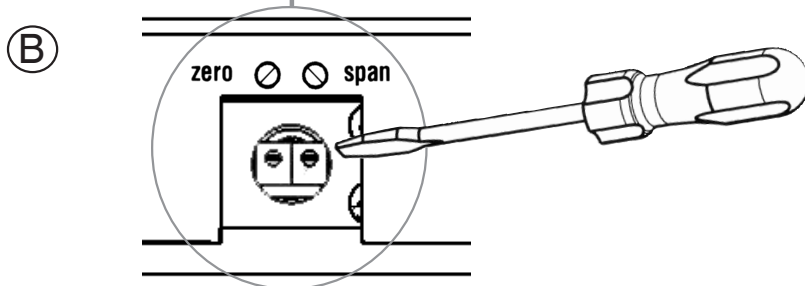
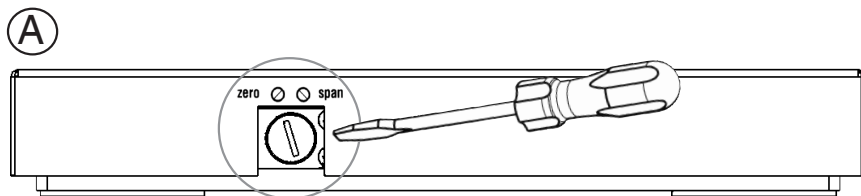


#### **DANGER !**

#### **Danger d'explosion vital !**

Le fait de régler le point zéro ou l'échelle dans des atmosphères inflammables crée un risque d'explosion potentiellement mortel.

- ▶ Effectuer les réglages de point zéro et d'échelle uniquement en-dehors de la zone explosive.
- ▶ Vérifier que l'atmosphère n'est pas dangereuse (non explosive).



FR



Après le réglage, vérifier que le système fonctionne correctement.  
Fréquence de réétalonnage recommandée : 1 an

## 7. Dysfonctionnements

Défaut	Causes	Mesure
<b>Pas de signal de sortie</b>	Pas de tension d'alimentation	Vérifier la tension d'alimentation
	Câble sectionné	Vérifier la continuité
	Raccordement électrique inversé	Rectifier la polarité
	Balance pour bouteilles de gaz défectueuse en raison d'une tension d'alimentation ou d'une impulsion de courant incorrecte	Remplacer la balance pour bouteilles de gaz
<b>Signal de sortie constant après une variation de poids</b>	Plate-forme de la balance bloquée	Vérifier si la balance est bien libre
	Surcharge mécanique	Remplacer la balance pour bouteilles de gaz
	Balance pour bouteilles de gaz défectueuse en raison d'une tension d'alimentation ou d'une impulsion de courant incorrecte	Remplacer la balance pour bouteilles de gaz

## 7. Dysfonctionnements / 8. Entretien et nettoyage

FR

Défaut	Causes	Mesure
<b>Plage de signaux trop basse</b>	Tension d'alimentation trop faible	Vérifier la tension d'alimentation
	Charge trop élevée	Corriger la charge ou la tension d'alimentation
	Surcharge mécanique	Réétalonner la balance pour bouteilles de gaz
Remplacer la balance pour bouteilles de gaz		
<b>Signal de point zéro trop bas ou trop élevé</b>	Surcharge mécanique	Réétalonner la balance pour bouteilles de gaz
		Remplacer la balance pour bouteilles de gaz
<b>Caractéristique de signal non linéaire</b>	Surcharge mécanique	Remplacer la balance pour bouteilles de gaz

Si les erreurs ne peuvent pas être éliminées au moyen des mesures citées plus haut, la balance pour bouteilles de gaz doit être retirée immédiatement, et il faut empêcher toute remise en service accidentelle. Dans ce cas, contacter le fabricant.



S'il est nécessaire de retourner l'instrument au fabricant, prière de respecter les indications mentionnées au chapitre 9.1 "Retour".

## 8. Entretien et nettoyage

### 8.1 Entretien

La balance pour bouteilles de gaz ne requiert aucun entretien. Les réparations ne doivent être effectuées que par le fabricant.

### 8.2 Nettoyage



#### **ATTENTION !**

#### **Dommages sur la balance pour bouteilles de gaz**

Un nettoyage inapproprié peut endommager la balance pour bouteilles de gaz.

- ▶ Éviter tout contact des raccords électriques avec l'humidité.
- ▶ Ne pas utiliser de détergents agressifs.
- ▶ Ne pas utiliser d'objets pointus ou durs pour le nettoyage.

### 9. Retour et mise au rebut



#### AVERTISSEMENT !

#### Blessures physiques et dommages aux équipements et à l'environnement liés aux résidus de fluides

Les restes de fluides se trouvant dans la balance pour bouteilles de gaz démontée peuvent mettre en danger les personnes, l'environnement ainsi que l'installation.

- ▶ Prendre des mesures de sécurité suffisantes.

FR

#### 9.1 Retour

#### En cas d'envoi de l'instrument, il faut respecter impérativement ceci :

Tous les instruments livrés à WIKA doivent être exempts de substances dangereuses (acides, bases, solutions, etc.) et doivent donc être nettoyés avant d'être retournés.

Pour retourner l'instrument, utiliser l'emballage original ou un emballage adapté pour le transport.

#### Pour éviter des dommages :

1. Emballer l'instrument dans une feuille de plastique antistatique.
2. Placer l'instrument avec le matériau isolant dans l'emballage. Isoler de manière uniforme tous les côtés de l'emballage de transport.
3. Mettre si possible un sachet absorbant d'humidité dans l'emballage.
4. Indiquer lors de l'envoi qu'il s'agit d'un instrument de mesure très sensible à transporter.

Joindre le formulaire de retour rempli à l'instrument.



Des informations relatives à la procédure de retour sont disponibles à la rubrique "Services" à [www.wika.fr](http://www.wika.fr).

#### 9.2 Mise au rebut

Une mise au rebut inadéquate peut entraîner des dangers pour l'environnement. Éliminer les composants des instruments et les matériaux d'emballage conformément aux prescriptions nationales pour le traitement et l'élimination des déchets et aux lois de protection de l'environnement en vigueur.



Ne pas mettre au rebut avec les ordures ménagères. Assurer une mise au rebut correcte en conformité avec les réglementations nationales.



## 10. Spécifications

Spécifications	
<b>Etendue de mesure</b>	Voir plaque signalétique
<b>Limite de pression de surcharge</b>	
Etendue de mesure 0 ... 27,22 kg [0 ... 60 lbs]	4 fois
Etendue de mesure 0 ... 45,36 kg [0 ... 100 lbs]	3 fois
Etendue de mesure 0 ... 136,08 kg [0 ... 300 lbs]	2,5 fois
<b>Non-linéarité selon BFSL selon CEI 61298-2</b>	≤ 0,05 % de l'échelle
<b>Ecart de mesure max. du signal analogique selon CEI 61298-2</b>	≤ 0,1 % de l'échelle
<b>Possibilité de réglage du point zéro et étendue</b>	± 5 % grâce à un potentiomètre intégré
<b>Stabilité à long terme (par mois)</b>	≤ 0,04 % de l'échelle (dans les conditions de référence)
<b>Coefficients moyens de température sur la plage de température nominale</b>	
Point zéro	≤ ±0,1 % de l'échelle/10 K
L'échelle	≤ ±0,1 % de l'échelle/10 K
<b>Conditions de référence</b>	Selon CEI 61298-1
<b>Signal de sortie</b>	Voir plaque signalétique
<b>Charge</b>	Type GCS-1-A ≤ (tension d'alimentation - 10 V) / 0,02 A
	Type GCS-1-G > 5 kΩ
	Type GCS-1-F > 10 kΩ
<b>Tension d'alimentation</b>	14 ... 30 VDC
<b>Courant maximal de sortie</b>	≤ 35 mA
<b>Raccordement électrique</b>	Sortie câble
<b>Longueur du câble</b>	6 m [20 ft]
<b>Résistance court-circuit</b>	S+ contre U-
<b>Protection contre l'inversion de polarité</b>	U+ contre U-
<b>Tension d'isolement</b>	500 VDC
<b>Chute libre</b>	Résistant à un impact de 90 kg d'une hauteur de 10 cm
<b>Indice de protection (code IP) selon CEI 60529, qualité industrielle</b>	IP65
<b>Marquage Ex (option)</b>	Voir plaque signalétique

# 10. Spécifications

## Spécifications

<b>Plage de température de fonctionnement</b>	-20 ... +50 °C [-4 ... +122 °F]
<b>Plage de température ambiante</b>	<ul style="list-style-type: none"> <li>■ -20 ... +50 °C [-4 ... +122 °F] (T4)</li> <li>■ -20 ... +40 °C [-4 ... +104 °F] (T5)</li> </ul>
<b>Plage de température de stockage</b>	-20 ... +60 °C [-4 ... +140 °F]
<b>Matériaux</b>	
Capteur	Aluminium
Boîtier	Acier inox
Plaque de base	Acier inox

FR

## 10.1 Agréments, directives et certificats

### Conformité CE

- Directive CEM EN 61326 émission (groupe 1, classe B) et immunité (application industrielle)
- Directive ATEX Type de protection contre l'ignition "n" :

Spécification	Type de protection contre l'ignition
ATEX	II 3G Ex nA IIC T4/T5 Gc X
IECEX	BVS 16.0001X Ex nA IIC T4/T5 Gc

## 10.2 Valeurs techniques de sécurité maximales

Type	Tension d'alimentation U <sub>+</sub>	Puissance P <sub>max</sub>	Type de protection contre l'ignition
GCS-1-A (4 ... 20 mA)	14 ... 24 VDC	1 W	Ex nA IIC T4/T5 Gc X
			IECEX BVS 16.0001X Ex nA IIC T4/T5 Gc
GCS-1-G (0 ... 5 VDC)	14 ... 24 VDC	1 W	Ex nA IIC T4/T5 Gc X
			IECEX BVS 16.0001X Ex nA IIC T4/T5 Gc
GCS-1-F (0 ... 10 VDC)	14 ... 24 VDC	1 W	Ex nA IIC T4/T5 Gc X
			IECEX BVS 16.0001X Ex nA IIC T4/T5 Gc

# Contenuti

<b>1. Informazioni generali</b>	<b>52</b>
<b>2. Esecuzione e funzioni</b>	<b>53</b>
2.1 Panoramica . . . . .	53
2.2 Descrizione . . . . .	53
2.3 Scopo di fornitura . . . . .	53
<b>3. Sicurezza</b>	<b>54</b>
3.1 Legenda dei simboli . . . . .	54
3.2 Destinazione d'uso . . . . .	54
3.3 Uso improprio . . . . .	55
3.4 Qualificazione del personale . . . . .	55
3.5 Istruzioni di sicurezza aggiuntive per bilancia per bombole secondo ATEX	55
3.6 Pericoli specifici . . . . .	56
3.7 Etichettatura/Simboli di sicurezza . . . . .	57
3.8 Marcatura Ex . . . . .	58
3.9 Condizioni speciali d'uso (condizioni X) . . . . .	58
<b>4. Trasporto, imballo e stoccaggio</b>	<b>58</b>
4.1 Trasporto. . . . .	58
4.2 Imballaggio e stoccaggio . . . . .	58
<b>5. Messa in funzione</b>	<b>59</b>
<b>6. Regolazione del punto zero/span</b>	<b>61</b>
<b>7. Malfunzionamenti e guasti</b>	<b>62</b>
<b>8. Manutenzione e pulizia</b>	<b>63</b>
8.1 Manutenzione . . . . .	63
8.2 Pulizia. . . . .	63
<b>9. Resi e smaltimento</b>	<b>64</b>
9.1 Resi . . . . .	64
9.2 Smaltimento . . . . .	64
<b>10. Specifiche tecniche</b>	<b>65</b>
10.1 Omologazioni, direttive e certificati . . . . .	66
10.2 Valori di sicurezza max. . . . .	66
<b>Appendice 1: Dichiarazione di conformità UE</b>	<b>67</b>

IT

## 1. Informazioni generali

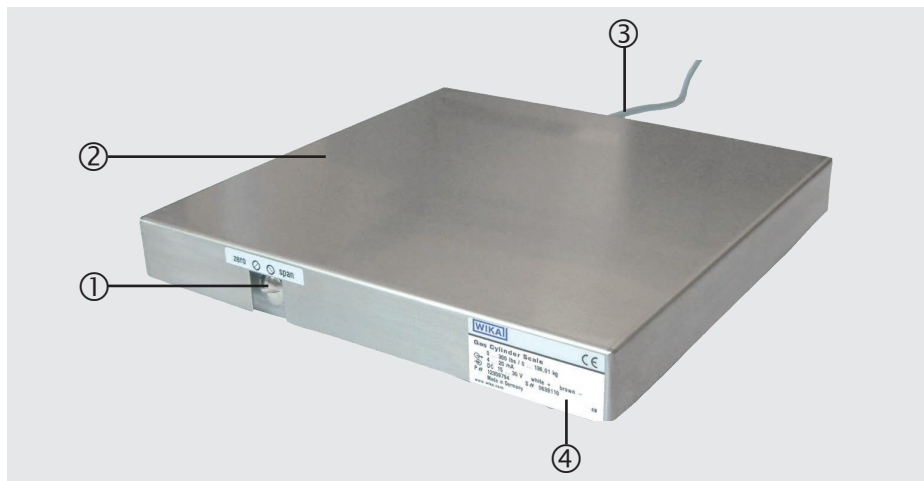
- La bilancia per bombole descritta in questo manuale d'uso è stata progettata e costruita secondo lo stato dell'arte della tecnica. Tutti i componenti sono soggetti a severi controlli di qualità ed ambientali durante la produzione. I nostri sistemi di qualità sono certificati ISO 9001 e ISO 14001.
- Questo manuale d'uso contiene importanti informazioni sull'uso dello strumento. Lavorare in sicurezza implica il rispetto delle istruzioni di sicurezza e di funzionamento.
- Osservare le normative locali in tema di prevenzione incidenti e le regole di sicurezza generali per il campo d'impiego dello strumento.
- Queste istruzioni sono parte del prodotto e come tale devono essere conservate nelle immediate vicinanze dello strumento e subito accessibili al personale qualificato in qualsiasi momento. Trasferire le istruzioni d'uso e manutenzione all'operatore o al possessore successivo.
- Il manuale d'uso deve essere letto con attenzione e compreso dal personale qualificato prima dell'inizio di qualsiasi attività.
- Il costruttore declina ogni responsabilità per qualsiasi danno causato da un utilizzo scorretto del prodotto, dal non rispetto delle istruzioni riportate in questo manuale, da un impiego di personale non adeguatamente qualificato oppure da modifiche non autorizzate allo strumento.
- Si applicano le nostre condizioni generali di vendita, allegare alla conferma d'ordine.
- Soggetto a modifiche tecniche.
- Ulteriori informazioni:
  - Indirizzo Internet: [www.wika.it](http://www.wika.it)
  - Scheda tecnica prodotto: PE 87.19
  - Consulenze tecniche ed applicative: Tel.:+39 02 93861-1  
info@wika.it

### Abbreviazioni

- 2 fili I due conduttori vengono utilizzati per l'alimentazione di tensione.  
Il segnale di misura fornisce anche la corrente di alimentazione.
- U<sub>+</sub> Terminale positivo di alimentazione
- U<sub>-</sub> Terminale negativo di alimentazione
- S<sub>+</sub> Terminale uscita positivo
- S<sub>-</sub> Morsetto uscita negativo

### 2. Esecuzione e funzioni

#### 2.1 Panoramica



IT

- ① Potenziometro
- ② Piano di pesatura
- ③ Connessione elettrica
- ④ Etichetta prodotto

#### 2.2 Descrizione

Con la bilancia per bombole, la massa della bombola e del relativo contenuto viene misurata e convertita in un segnale elettrico. Questo segnale elettrico varia in proporzione alla massa e può essere valutato in maniera conforme.

#### 2.3 Scopo di fornitura

- Bilancia per bombole con uscita cavo da 6 m
- Rapporto di prova
- Vite, M6

Controllare lo scopo di fornitura con il documento di consegna / trasporto.

### 3. Sicurezza

#### 3.1 Legenda dei simboli

**ATTENZIONE!**

... indica una situazione di potenziale pericolo che, se non evitata, può causare lesioni gravi o morte.

**ATTENZIONE!**

... indica una situazione potenzialmente pericolosa in una area classificata a rischio di esplosione che, se non evitata, può causare ferite gravi o morte.

**CAUTELA!**

... indica un situazione potenzialmente pericolosa che può provocare, se non evitata, ferite lievi o danni alle cose o all'ambiente.

**Informazione**

... fornisce suggerimenti utili e raccomandazioni per l'utilizzo efficiente e senza problemi dello strumento.

#### 3.2 Destinazione d'uso

**ATTENZIONE!****Gravi lesioni fisiche e/o danni alle cose causati dall'uso di un'esecuzione del prodotto non corretta**

Se per il campo di misura, esecuzione e condizioni di misura specifiche viene selezionata una bilancia per bombole non corretta, possono verificarsi gravi lesioni fisiche e/o danni alle cose.

- ▶ Prima dell'installazione, la messa in servizio e il funzionamento, assicurarsi che sia stata selezionata la bilancia per bombole appropriata.

La bilancia per bombole è usata per misurare la massa.

Lo strumento è stato progettato e costruito esclusivamente per la sua destinazione d'uso e può essere impiegato solo per questa.

Le specifiche tecniche riportate in questo manuale d'uso devono essere rispettate. L'uso improprio dello strumento al di fuori delle specifiche tecniche richiede che lo strumento venga messo immediatamente fuori servizio e che venga ispezionato da un tecnico WIKA autorizzato.

Il costruttore non è responsabile per reclami di qualsiasi natura in caso di utilizzo dello strumento al di fuori della sua destinazione d'uso.

### 3.3 Uso improprio



#### **ATTENZIONE!**

#### **Lesioni derivanti da uso improprio**

L'uso improprio dello strumento può provocare situazioni pericolose o lesioni.

- ▶ Astenersi dall'effettuare modifiche non autorizzate allo strumento.

Qualsiasi utilizzo dello strumento al di fuori o diverso da quello previsto è considerato uso improprio.

### 3.4 Qualificazione del personale



#### **ATTENZIONE!**

#### **Rischio di ferite in caso di personale non qualificato!**

L'uso improprio può condurre a lesioni gravi o danni alle apparecchiature.

- ▶ Le attività riportate in questo manuale d'uso possono essere effettuate solo da personale in possesso delle qualifiche riportate di seguito.
- ▶ Tenere il personale non qualificato al di fuori delle aree pericolose.

#### **Personale qualificato**

Per personale qualificato si intende personale che, sulla base delle proprie conoscenze tecniche di strumentazione e controllo e delle normative nazionali e sulla base della propria esperienza, è in grado di portare a termine il lavoro e riconoscere autonomamente potenziali pericoli.

#### **Conoscenze specifiche per lavorare con gli strumenti in aree pericolose:**

Il personale qualificato deve avere una conoscenza dei tipi di protezione antideflagrante, dei regolamenti e delle disposizioni per le apparecchiature in aree pericolose.

Eventuali condizioni operative speciali richiedono inoltre conoscenze specifiche, es. fluidi aggressivi.

### 3.5 Istruzioni di sicurezza aggiuntive per bilancia per bombole secondo ATEX



#### **ATTENZIONE!**

#### **Pericolo di morte dovuto alla perdita della protezione antideflagrante**

La non osservanza di queste istruzioni può condurre alla perdita della protezione antideflagrante.

- ▶ Per il funzionamento in aree pericolose, osservare i livelli di tensione più bassi di cui al capitolo 10.2 "Valori di sicurezza max."
- ▶ Seguire le istruzioni seguenti:

- Non sono permessi interventi o modifiche della bilancia per bombole non descritti in questo manuale d'uso.
- Qualora i difetti non possano essere eliminati, la bilancia per bombole va messa immediatamente fuori servizio assicurandosi che non venga rimessa in servizio accidentalmente.
- Utilizzare la bilancia per bombole sempre entro i limiti di sovraccarico.
- Osservare i parametri di funzionamento in modo conforme al capitolo 10 “Specifiche tecniche”.
- Collegare la schermatura del cavo alla terra su un'estremità, preferibilmente nell'area non Ex sicura (EN 60079-14). Per gli strumenti con uscita cavo, la schermatura è connessa alla custodia. Una connessione aggiuntiva della schermatura è consentita soltanto se è possibile evitare potenziali perdite tra la connessione della schermatura (ad es. sull'alimentatore) e la custodia (vedere EN 60079-14).
- Collegare la bilancia per bombole con marcatura “Ex nA IIC T4/T5” a un circuito di alimentazione e del segnale con protezione dai transienti conforme a EN 60079-15, capitolo 23 C.
- Scollegare la bilancia per bombole con marcatura Ex nA, o quando viene fatta funzionare in condizioni Ex nA, solamente dopo aver spento l'alimentazione.
- I cavi flessibili sottili con terminali scoperti vanno dotati di giunzioni finali (confezionamento del cavo)
- Realizzare l'equipotenziale tra la terra della tensione di alimentazione e la bombola del gas e/o l'installazione, nel caso siano connesse conduttivamente.

### 3.6 Pericoli specifici



#### **ATTENZIONE!**

Osservare le informazioni contenute nel certificato di tipo applicabile e nelle attinenti normative locali per quanto riguarda l'installazione e l'utilizzo di un dispositivo in aree pericolose (ad esempio secondo la norma IEC 60079-14, NEC, CEC). La non osservanza può condurre a ferite gravi o danni alle apparecchiature.

Per istruzioni di sicurezza aggiuntive importanti per gli strumenti secondo ATEX

→ vedere il capitolo 3.5 “Istruzioni di sicurezza aggiuntive per bilancia per bombole secondo ATEX”





### ATTENZIONE!

#### Lesioni fisiche e danni alle cose e all'ambiente causati da fluidi pericolosi

Manipolazioni non corrette con fluidi pericolosi, come ad esempio ossigeno, acetilene, sostanze infiammabili o tossiche, nonché in sistemi di refrigerazione, compressori ecc., possono far sì che fluidi pericolosi o dannosi vengano liberati nell'ambiente, con conseguenti possibili danni o infortuni.

- Osservare le regole generali e i regolamentazioni rilevanti.



### ATTENZIONE!

#### Lesioni fisiche e danni alle cose e all'ambiente a causa di fluidi residui

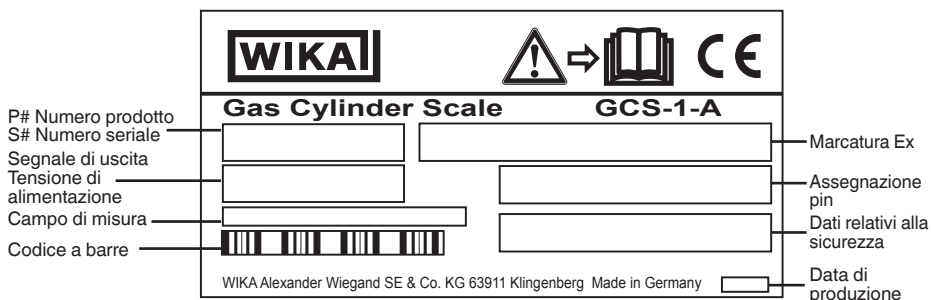
I residui di fluidi nelle bilance per bombole smontate possono causare rischi alle persone, all'ambiente e alla strumentazione.

- Prendere le opportune misure precauzionali.

IT

## 3.7 Etichettatura/Simboli di sicurezza

### Etichetta prodotto



### Legenda dei simboli



Prima di montare e mettere in servizio lo strumento, assicurarsi di aver letto attentamente il manuale d'uso!

### 3.8 Marcatura Ex



#### **PERICOLO!**

#### **Pericolo di morte dovuto alla perdita della protezione antideflagrante**

La non osservanza di queste istruzioni può condurre alla perdita della protezione antideflagrante.

- ▶ Rispettare le istruzioni di sicurezza contenute in questo capitolo e ulteriori istruzioni sulle esplosioni riportate in questo manuale d'uso.
- ▶ Osservare le informazioni contenute nel certificato di tipo applicabile e nelle attinenti normative locali per quanto riguarda l'installazione e l'utilizzo di un dispositivo in aree pericolose (ad esempio secondo la norma IEC 60079-14, NEC, CEC).

IT

Controllare se la classificazione sia adatta per l'applicazione. Osservare le regolamentazioni nazionali rilevanti.

### 3.9 Condizioni speciali d'uso (condizioni X)

- Il cappuccio che protegge i due potenziometri per la regolazione dello zero e dello span non deve essere rimosso in presenza di atmosfere a rischio di esplosione.
- Un sistema di supporto aggiuntivo del cavo è fornito dal produttore. Il sistema di supporto non deve essere rimosso.

## 4. Trasporto, imballo e stoccaggio

### 4.1 Trasporto

Controllare che la bilancia per bombole non abbia subito danni da qualunque causa durante il trasporto.

Danni evidenti devono essere segnalati tempestivamente.



#### **CAUTELA!**

#### **Danni dovuti a trasporto improprio**

Con un trasporto non corretto, lo strumento può subire danni gravi.

- ▶ Quando le merci imballate si scaricano al momento della consegna, così come durante il trasporto interno, procedere con cautela e osservare i simboli riportati sull'imballo.

### 4.2 Imballaggio e stoccaggio

Rimuovere l'imballo solo appena prima dell'installazione.

Conservare l'imballo per proteggere lo strumento in successivi trasporti (es. variazione del sito di installazione, invio in riparazione).

#### **Condizioni consentite per lo stoccaggio:**

Temperatura di stoccaggio: -20 ... +60 °C [-4 ... +140 °F]

### Evitare l'esposizione ai seguenti fattori:

- Esposizione diretta al sole o prossimità con oggetti molto caldi
- Vibrazioni e shock meccanici (posare lo strumento in modo energico)
- Fuliggine, vapori, polvere e gas corrosivi
- Ambienti pericolosi, atmosfere infiammabili (per l'esecuzione senza esplosione antideflagrante)

Conservare la bilancia per bombole nel suo imballo originale in un luogo rispondente alle condizioni riportate sopra. Se l'imballo originale non è disponibile, imballare e conservare lo strumento come indicato di seguito:

1. Avvolgere lo strumento con una pellicola antistatica.
2. Riporre lo strumento nella scatola con materiale assorbente gli urti.
3. Se deve essere conservato per un periodo prolungato (più di 30 giorni), includere una bustina di gel antiumidità all'interno dell'imballo.

IT

## 5. Messa in funzione



### PERICOLO!

#### Pericolo di morte dovuto a esplosione!

Lavorando in atmosfere infiammabili, c'è il rischio di esplosioni che possono causare la morte.

- ▶ Eseguire il di set-up dell'apparecchiatura solamente in ambienti non pericolosi!

### Montaggio elettrico



### PERICOLO!

#### Pericolo di morte dovuto alla perdita della protezione antideflagrante

La non osservanza di queste istruzioni, oltre a un equipotenziale non corretto, può condurre alla perdita della protezione antideflagrante.

- ▶ Per un equipotenziale sicuro osservare le seguenti istruzioni:



- Una struttura per l'attacco equipotenziale è presente accanto all'entrata cavo: vite M6 (6 mm)
- Il morsetto per cavi non deve essere rimosso (→ vedere il capitolo 3.9 "Condizioni speciali d'uso (condizioni X)")
- Usare un conduttore con sezione di almeno 4 mm<sup>2</sup>.
- L'attacco deve essere resistente alla corrosione e bloccato contro la rotazione.
- Mettere a terra la schermatura della linea di alimentazione solamente su un'estremità.
- La schermatura della linea di alimentazione è collegata internamente alla custodia.

## 5. Messa in servizio, funzionamento



Se l'equipotenziale è realizzato tramite la schermatura della linea di alimentazione e anche tramite cavo da 4 mm<sup>2</sup> separato sulla custodia, occorre fare attenzione alle differenze di potenziale. Evitare le correnti di compensazione (anelli di massa).

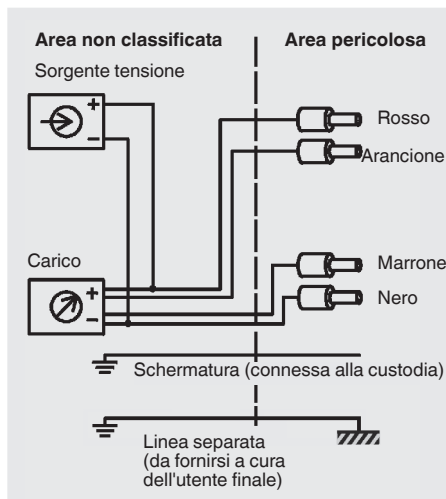
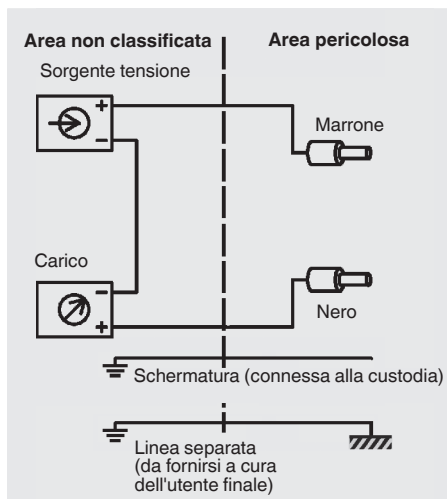
### Assegnazione pin (2 fili)

U+/S+	Marrone (BN)
U-/S-	Nero (BK)

### Assegnazione pin (4 fili)

U+	Rosso (RD)
S+	Arancione (OG)
U-	Nero (BK)
S-	Marrone (BN)

IT



La schermatura è connessa alla custodia.

Assicurarsi che non penetri umidità sulla parte terminale del cavo.

### Verifica funzionale

Il segnale di uscita deve essere proporzionale alla massa. Se non è così, l'elemento di misura potrebbe essere danneggiato. In questo caso, fare riferimento al capitolo 7 "Malfunzionamenti e guasti"



Nel pesare una bombola accertarsi che la bilancia sia posizionata su una base solida e piana e che non possa impigliarsi in altri oggetti.

### 6. Regolazione del punto zero/span



#### **PERICOLO!**

#### **Pericolo di morte dovuto a esplosione!**

Se il punto zero o lo span sono regolati in atmosfere infiammabili, c'è il rischio di esplosioni che possono causare la morte.

- ▶ Eseguire le regolazioni del punto zero e dello span fuori dall'area pericolosa.
- ▶ Accertarsi che l'atmosfera circostante non sia pericolosa (non a rischio di esplosione).

#### **Preparazione**

1. Svitare l'attacco a vite di protezione con un cacciavite (vedere la figura A).
  - ▶ L'accesso ai potenziometri è aperto.
2. Introdurre una massa di riferimento almeno 3 volte più accurata dell'accuratezza data.

#### **Regolazione del punto zero**

1. Rimuovere il carico dalla bilancia per bombole.
2. Regolando il segnale su 4 mA, è possibile regolare il punto zero (vedere la figura B).

#### **Regolazione dello span**

1. Regolare lo span caricando la bilancia con la massa di riferimento appropriata e regolando il segnale su 20 mA.
2. Controllare il punto zero.
3. Se il punto zero non è corretto, ripetere la procedura.
4. Riapplicare il cappuccio di tenuta con la guarnizione in modo da chiudere l'entrata del potenziometro.



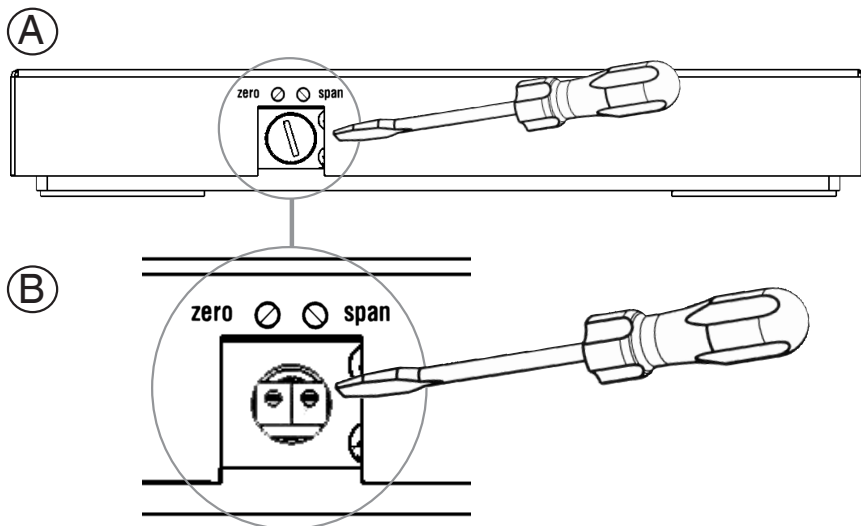
#### **PERICOLO!**

#### **Pericolo di morte dovuto a esplosione!**

Se il punto zero o lo span sono regolati in atmosfere infiammabili, c'è il rischio di esplosioni che possono causare la morte.

- ▶ Eseguire le regolazioni del punto zero e dello span fuori dall'area pericolosa.
- ▶ Accertarsi che l'atmosfera circostante non sia pericolosa (non a rischio di esplosione).

## 6. Regolazione del punto zero/span / 7. Guasti



Dopo la regolazione, controllare che il sistema funzioni correttamente.  
Ciclo di ritaratura consigliato: 1 anno



## 7. Malfunzionamenti e guasti

Guasto	Cause	Misura
<b>Segnale di uscita assente</b>	Nessuna tensione di alimentazione	Verificare la tensione di alimentazione
	Rottura del cavo	Controllare la continuità
	Cablaggio invertito	Rettificare la polarità
	Bilancia per bombole difettosa a causa di tensione di alimentazione non corretta o di impulso di corrente	Sostituire la bilancia per bombole
<b>Segnale di uscita costante per variazioni del peso</b>	Piattaforma della bilancia bloccata	Verificare che la bilancia non sia in qualche modo impigliata
	Sovraccarico meccanico	Sostituire la bilancia per bombole
	Bilancia per bombole difettosa a causa di tensione di alimentazione non corretta o di impulso di corrente	Sostituire la bilancia per bombole

Guasto	Cause	Misura
<b>Segnale troppo basso</b>	Tensione di alimentazione troppo bassa	Controllare la tensione di alimentazione
	Carico troppo alto	Rettificare il carico o la tensione di alimentazione
	Sovraccarico meccanico	Ritarare la bilancia per bombole
Sostituire la bilancia per bombole		
<b>Segnale punto zero troppo alto o troppo basso</b>	Sovraccarico meccanico	Ritarare la bilancia per bombole
		Sostituire la bilancia per bombole
<b>Caratteristica del segnale non lineare</b>	Sovraccarico meccanico	Sostituire la bilancia per bombole

Qualora i difetti non possano essere eliminati mediante le misure elencate, la bilancia per bombole va messa immediatamente fuori servizio assicurandosi che non venga rimessa in servizio accidentalmente. In questo caso, contattare il costruttore.



Se è necessario restituire lo strumento, seguire le istruzioni riportate nel capitolo 9.1 "Resi".

## 8. Manutenzione e pulizia

### 8.1 Manutenzione

La bilancia per bombole è esente da manutenzione.

Le riparazioni devono essere effettuate solo dal costruttore.

### 8.2 Pulizia



#### **CAUTELA!**

#### **Danni alla bilancia per bombole**

Una pulizia impropria può causare danni alla bilancia per bombole!

- ▶ Le connessioni elettriche non devono venire in contatto con umidità.
- ▶ Non usare detergenti aggressivi.
- ▶ Per la pulizia non utilizzare oggetti appuntiti o duri.

### 9. Resi e smaltimento



#### ATTENZIONE!

#### Lesioni fisiche e danni alle cose e all'ambiente a causa di fluidi residui

I residui di fluidi nelle bilance per bombole smontate possono causare rischi alle persone, all'ambiente e alla strumentazione.

- Prendere le opportune misure precauzionali.

#### 9.1 Resi

#### Osservare attentamente le seguenti indicazioni per la spedizione dello strumento:

Tutti gli strumenti inviati a WIKA devono essere privi di qualsiasi tipo di sostanze pericolose (acidi, basi, soluzioni, ecc.) e pertanto devono essere puliti prima di essere restituiti.

In caso di restituzione dello strumento, utilizzare l'imballo originale o utilizzare un contenitore di trasporto adeguato.

#### Per evitare danni:

1. Avvolgere lo strumento con una pellicola antistatica.
2. Riporre lo strumento nella scatola con materiale assorbente gli urti. Posizionare materiale per assorbire gli urti su tutti i lati all'interno dell'imballo.
3. Se possibile, includere una bustina di gel anti-umidità all'interno dell'imballo.
4. Etichettare la spedizione come trasporto di uno strumento altamente sensibile.

Allegare il modulo di reso completato allo strumento.



Le informazioni sulle modalità di gestione resi sono disponibili nella sezione "Servizi" di [www.wika.it](http://www.wika.it).

#### 9.2 Smaltimento

Lo smaltimento inappropriato può provocare rischi per l'ambiente.

Lo smaltimento dei componenti dello strumento e dei materiali di imballaggio deve essere effettuato in modo compatibile ed in accordo alle normative nazionali.



Non smaltire insieme ai rifiuti domestici. Smaltire in modo appropriato secondo le regolamentazioni del proprio paese.



## 10. Specifiche tecniche

### 10. Specifiche tecniche

Specifiche tecniche		
<b>Campo di misura</b>	Vedere l'etichetta prodotto	
<b>Limite di sovraccarico</b>		
Campo di misura 0 ... 27,22 kg [0 ... 60 lbs]	4 volte	
Campo di misura 0 ... 45,36 kg [0 ... 100 lbs]	3 volte	
Campo di misura 0 ... 136,08 kg [0 ... 300 lbs]	2,5 volte	
<b>Non linearità secondo BFSL conforme a IEC 61298-2</b>	≤ 0,05 % dello span	
<b>Errore di misura max del segnale analogico conforme a IEC 61298-2</b>	≤ 0,1 % dello span	
<b>Regolazione del punto zero e span</b>	±5% attraverso potenziometro incorporato	
<b>Stabilità a lungo termine (mensile)</b>	≤ 0,04 % dello span (alla condizione di riferimento)	
<b>Coefficienti di temperatura medi nel campo di temperatura compensato</b>		
Punto zero	≤ ±0,1 % dello span/10 K	
Span	≤ ±0,1 % dello span/10 K	
<b>Condizioni di riferimento</b>	Secondo IEC 61298-1	
<b>Segnale di uscita</b>	Vedere l'etichetta prodotto	
<b>Carico</b>	Modello GCS-1-A	≤ (tensione di alimentazione - 10 V) / 0,02 A
	Modello GCS-1-G	> 5 kΩ
	Modello GCS-1-F	> 10 kΩ
<b>Tensione di alimentazione</b>	14 ... 30 Vcc	
<b>Corrente di uscita max.</b>	≤ 35 mA	
<b>Connessione elettrica</b>	Uscita cavo	
<b>Lunghezza del cavo</b>	6 m [20 ft]	
<b>Protezione contro i cortocircuiti</b>	S+ vs. U-	
<b>Protezione inversione polarità</b>	U+ vs. U	
<b>Tensione di isolamento</b>	500 Vcc	
<b>Caduta libera</b>	Resistente a impatti di 90 kg da un'altezza di 10 cm	
<b>Grado di protezione (codice IP) conforme a IEC 60529, qualità industriale</b>	IP65	
<b>Marcatatura Ex (opzione)</b>	Vedere l'etichetta prodotto	

## 10. Specifiche tecniche

Specifiche tecniche	
<b>Campo di temperatura operativa</b>	-20 ... +50 °C [-4 ... +122 °F]
<b>Campo di temperatura ambiente</b>	<ul style="list-style-type: none"> <li>■ -20 ... +50 °C [-4 ... +122 °F] (T4)</li> <li>■ -20 ... +40 °C [-4 ... +104 °F] (T5)</li> </ul>
<b>Campo temperatura di stoccaggio</b>	-20 ... +60 °C [-4 ... +140 °F]
Materiali	
Sensore	Alluminio
Custodia	Acciaio inox
Piastra di base	Acciaio inox

IT

### 10.1 Omologazioni, direttive e certificati

#### Conformità CE

- **Direttiva EMC** Emissione (gruppo 1, classe B) e immunità EN 61326 (applicazione industriale)
- **Direttiva ATEX** Protezione tipo “n”, non-incendive

Specifiche	Tipo di protezione antideflagrante
<b>ATEX</b>	II 3G Ex nA IIC T4/T5 Gc X
<b>IECEX</b>	BVS 16.0001X Ex nA IIC T4/T5 Gc

### 10.2 Valori di sicurezza max.

Modello	Tensione di alimentazione U <sub>+</sub>	Potenza P <sub>max</sub>	Tipo di protezione antideflagrante
<b>GCS-1-A (4 ... 20 mA)</b>	14 ... 24 Vcc	1 W	Ex nA IIC T4/T5 Gc X
			IECEX BVS 16.0001X Ex nA IIC T4/T5 Gc
<b>GCS-1-G (0 ... 5 Vcc)</b>	14 ... 24 Vcc	1 W	Ex nA IIC T4/T5 Gc X
			IECEX BVS 16.0001X Ex nA IIC T4/T5 Gc
<b>GCS-1-F (0 ... 10 Vcc)</b>	14 ... 24 Vcc	1 W	Ex nA IIC T4/T5 Gc X
			IECEX BVS 16.0001X Ex nA IIC T4/T5 Gc

11145676.09 03/2022 EN/DE/FR/IT



## EU-Konformitätserklärung EU Declaration of Conformity

**Dokument Nr.:** 11227486.05  
**Document No.:**

Wir erklären in alleiniger Verantwortung, dass die mit CE gekennzeichneten Produkte  
*We declare under our sole responsibility that the CE marked products*

**Typenbezeichnung:** GCS-1-A, GCS-1-G, GCS-1-F  
**Type Designation:**

**Beschreibung:** Gasflaschenwaage  
**Description:** Gas Cylinder Scale

gemäß gültigem Datenblatt: PE 87.19  
*according to the valid data sheet:*

die wesentlichen Schutzanforderungen der folgenden Richtlinien erfüllen: Harmonisierte Normen:  
*comply with the essential protection requirements of the directives: Harmonized standards:*

2011/65/EU Gefährliche Stoffe (RoHS)  
*Hazardous substances (RoHS)*

EN 50581:2012

2014/30/EU Elektromagnetische Verträglichkeit (EMV)  
*Electromagnetic Compatibility (EMC)*

EN 61326-1:2013

2014/34/EU Explosionsschutz (ATEX) <sup>(1)</sup>  
*Explosion protection (ATEX) <sup>(1)</sup>*



II 3G Ex nA IIC T4/T5 Gc X

EN 60079-0:2012 + A11:2013  
EN 60079-15:2010

(1) Nicht für Geräte mit Typcodes GCS-1-\*\*-\*\*\*-\*\*-ZZ  
*Not applicable for equipment with type codes GCS-1-\*\*-\*\*\*-\*\*-ZZ*

Unterzeichnet für und im Namen von / *Signed for and on behalf of*

**WIKA Alexander Wiegand SE & Co. KG**

Klingenberg, 2017-03-28

Fokko Stuke, Director Operations  
Electronic Products – Industrial Instrumentation

Steffen Schlesiona, Director Quality Management  
Industrial Instrumentation

WIKA Alexander Wiegand SE & Co. KG  
Alexander-Wiegand-Straße 30  
63911 Klingenberg  
Germany

Tel. +49 9372 132-0  
Fax +49 9372 132-406  
E-Mail [info@wika.de](mailto:info@wika.de)  
[www.wika.de](http://www.wika.de)

Kommanditgesellschaft: Sitz Klingenberg –  
Amtsgericht: Aschaffenburg HRA 1819  
Komplementärin: WIKA Verwaltungs SE & Co. KG –  
Sitz Klingenberg – Amtsgericht: Aschaffenburg  
HRA 4685

Komplementärin:  
WIKA International SE - Sitz Klingenberg -  
Amtsgericht: Aschaffenburg HRB 10505  
Vorstand: Alexander Wiegand  
Vorsitzender des Aufsichtsrats: Dr. Max Egli

WIKA subsidiaries worldwide can be found online at [www.wika.com](http://www.wika.com).  
WIKA Niederlassungen weltweit finden Sie online unter [www.wika.de](http://www.wika.de).  
La liste des filiales WIKA dans le monde se trouve sur [www.wika.fr](http://www.wika.fr).  
Per le filiali WIKA nel mondo, visitate il nostro sito [www.wika.it](http://www.wika.it).



**WIKA Alexander Wiegand SE & Co. KG**  
Alexander-Wiegand-Straße 30  
63911 Klingenberg/Germany  
Tel. +49 9372 132-0  
Fax +49 9372 132-406  
[info@wika.de](mailto:info@wika.de)  
[www.wika.de](http://www.wika.de)